

## 2 FT Outdoor Rated 7/16 DIN to 7/16 DIN M/F SPO-375 Low PIM Cable Jumper



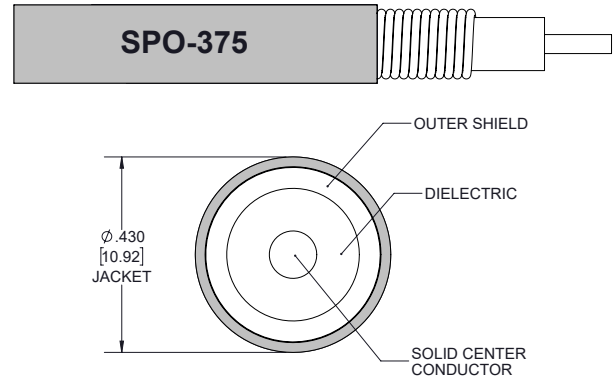
### CASPO375010-2FT

#### Configuration

- Connector 1: 7/16 DIN Male
- Connector 2: 7/16 DIN Female
- Cable Type: SPO-375

#### Features

- Max Frequency 5.8 GHz
- Low PIM: -160 dBc Max
- FRPE Jacket
- Shielding Effectivity > 100 dB
- 100% Tested with PIM Test Results Marked on Cable
- 1.25 Inch Minimum Bend Radius
- Low Loss with Excellent VSWR



#### Applications

- Distributed Antennas Systems (DAS)
- Outdoor Installations
- Low PIM Applications
- Multi-Carrier Communication Systems

#### Description

PolyPhaser CASPO375010-2FT is a 2 FT Outdoor Rated 7/16 DIN to 7/16 DIN M/F SPO-375 Low PIM Cable Jumper built using high quality components by skilled technicians to ensure a reliable product. The 7/16 DIN Male to 7/16 DIN Female jumper connections are designed to industry standard interface dimensions to ensure superior performance. These low PIM corrugated cable assemblies are durable and outdoor rated for applications that require these parameters. All PolyPhaser cable assemblies are available for same day shipment to fulfill your urgent needs. This high-quality RF coaxial assembly is perfect in many RF Interconnect applications such as distributed antenna systems (DAS), low PIM applications, outdoor installations, and many other RF systems. The CASPO375010-2FT 7/16 DIN to 7/16 DIN low PIM cable assembly is the perfect companion to PolyPhaser line of products, particularly when used as an antenna jumper.

The three eighths inch low PIM outdoor rated coax used in these 7/16 DIN to 7/16 DIN assemblies is a .375 inch diameter copper corrugated coax with a black FRPE jacket. This cable's foam PE dielectric is low loss material with a phase velocity of 83% and offers excellent passive intermodulation (PIM) performance better than -160 dBc. The construction of the three eighths inch copper corrugated jumper results in a minimum bend radius of 1.25 inches. The cable assembly's combination of 7/16 DIN to 7/16 DIN M/F and Times Microwave's SPO-375 low PIM plenum rated cable supports a maximum operation frequency of 5.8 GHz. Each cable assembly is installed with heat shrink booting on each end and a PIM label with the measured PIM level. You can find detailed performance specifications in the product datasheet. All PolyPhaser assemblies are tested and inspected prior to shipping.

Click the following link (or enter part number in "SEARCH" on website) to obtain additional part information including price, inventory and certifications:  
[2 FT Outdoor Rated 7/16 DIN to 7/16 DIN M/F SPO-375 Low PIM Cable Jumper CASPO375010-2FT](#)

2 FT Outdoor Rated 7/16 DIN to 7/16 DIN M/F SPO-375 Low PIM Cable Jumper



**CASPO375010-2FT**

**Electrical Specifications**

Description	Minimum	Typical	Maximum	Units
Frequency Range	DC		6	GHz
VSWR			1.4:1	
Velocity of Propagation		83		%
Passive Intermodulation			-158	dBc
Capacitance		24 [78.74]		pF/ft [pF/m]

**Specifications by Frequency**

Description	F1	F2	F3	F4	F5	Units
Frequency	0.25	0.5	1	2.5	6	GHz
Insertion Loss (Max.)	0.18	0.23	0.29	0.4	0.58	dB
Return Loss (Max.)	15.56	15.563	15.563	15.563	15.563	dB

Electrical Specification Notes:

The Insertion Loss data above is based on the performance specifications of the coax cable and connectors used in this assembly. Insertion Loss is estimated as  $0.1 \cdot \sqrt{FGHz}$  dB for the female connector and 0.1 dB for the male connector.

**Mechanical Specifications**

**Size**

Length	24 in [609.6 mm]
Diameter	1.14 in [28.96 mm]
Weight	0.593 lbs [268.98 g]

**Cable**

Cable Type	SPO-375
Impedance	50 Ohms
Inner Conductor Type	Solid
Inner Conductor Material and Plating	Copper Clad Aluminum
Dielectric Type	Foam PE
Number of Shields	1
Shield Layer 1	Helically Corrugated Copper Tube
Outer Conductor Material and Plating	Copper
Outer Conductor Diameter	0.38 in [9.65 mm]
Jacket Material	PE, Black
Jacket Diameter	0.43 in [10.92 mm]
One Time Minimum Bend Radius	1.75 in [44.45 mm]

Click the following link (or enter part number in "SEARCH" on website) to obtain additional part information including price, inventory and certifications:  
[2 FT Outdoor Rated 7/16 DIN to 7/16 DIN M/F SPO-375 Low PIM Cable Jumper CASPO375010-2FT](#)

2 FT Outdoor Rated 7/16 DIN to 7/16 DIN M/F SPO-375 Low PIM Cable Jumper



**CASPO375010-2FT**

**Connectors**

Description	Connector 1	Connector 2
Type	7/16 DIN Male	7/16 DIN Female
Impedance	50 Ohms	50 Ohms
Contact Material and Plating	Brass, Silver	Phosphor Bronze, Silver
Contact Plating Specification	5 µin	200 µin
Dielectric Type	PTFE	PTFE
Body Material and Plating	Brass, Tri-Metal	Brass, Tri-Metal
Body Plating Specification	3 µin	80 µin
Coupling Nut Material and Plating	Brass, Tri-Metal	
Coupling Nut Plating Specification	3 µin	

**Environmental Specifications**

**Temperature**

Operating Range -40 to +85 deg C

**Compliance Certifications**

**Plotted and Other Data**

Notes:

PolyPhaser protects and increases the reliability of global RF communications networks, including transportation, telecommunications, defense, security and industrial applications, with superior RF surge protection technologies including DC Block, DC Pass and Ultra Low PIM. Backed by responsive service and expert technical support PolyPhaser continually expands its product offering and services to serve engineers' urgent needs for RF components in mission critical communication networks.

Click the following link (or enter part number in "SEARCH" on website) to obtain additional part information including price, inventory and certifications: [2 FT Outdoor Rated 7/16 DIN to 7/16 DIN M/F SPO-375 Low PIM Cable Jumper CASPO375010-2FT](https://www.polyphaser.com/2-ft-outdoor-rated-7-16-din-to-7-16-din-m-f-spo-375-low-pim-cable-jumper-caspo375010-2ft)

URL: <https://www.polyphaser.com/2-ft-outdoor-rated-7-16-din-to-7-16-din-m-f-spo-375-low-pim-cable-jumper-p.aspx>

The information contained in this document is accurate to the best of our knowledge and representative of the part described herein. It may be necessary to make modifications to the part and/or the documentation of the part, in order to implement improvements. PolyPhaser reserves the right to make such changes as required. Unless otherwise stated, all specifications are nominal. PolyPhaser does not make any representation or warranty regarding the suitability of the part described herein for any particular purpose, and PolyPhaser does not assume any liability arising out of the use of any part or documentation.

2 FT Outdoor Rated 7/16 DIN to 7/16 DIN M/F SPO-375 Low PIM Cable Jumper

CASPO375010-2FT CAD Drawing

REVISIONS		
REV.	DESCRIPTION	DATE
A	INITIAL RELEASE	11/10/2020
	APPROVED	SELLIS

LENGTH MEASURED FROM CONTACT TO CONTACT

CONTACT

7/16 DIN MALE

CONTACT

7/16 DIN FEMALE

SPO-375

2X HEAT SHRINK BOOT

www.POLYPHASER.com  
CASPO375010  
S/N: XXXXXXXXXX  
(SEE NOTE 1)

PIM LEVEL  
-zzzdBc  
S/N: XXXXXXXXXX  
(SEE NOTE 2)

**NOTES:**

1. CABLES 84" AND UNDER HAVE 1 LABEL CENTERED. CABLES OVER 84" HAVE 2 LABELS, ONE AT EACH END 12.0" FROM THE END OF THE CONNECTOR.
2. 6" FROM CABLE END 1 PLACE FOR ALL LENGTHS OF CABLE.

THESE COMMODITIES, TECHNOLOGY OR SOFTWARE WERE EXPORTED FROM THE UNITED STATES IN ACCORDANCE WITH THE EXPORT ADMINISTRATION REGULATIONS. DIVERSION CONTRARY TO U.S. LAW PROHIBITED.

<p><b>PolyPhaser</b> an INFINITE brand</p> <p>10701 Airport Road, Hayden, Idaho 83835, USA Phone: 1.208.635.6400   1.800.882.9110 Fax: 1.208.762.6133 Website: www.PolyPhaser.com E-mail: CustomerService@PolyPhaser.com</p>	<p>THIRD-ANGLE PROJECTION</p> <p>THE INFORMATION AND DESIGN IN THIS DOCUMENT IS THE PROPERTY OF ALL RIGHTS RESERVED.</p> <p>SHEET 1 OF 1</p> <p>SCALE N/A</p>
<p>UNLESS OTHERWISE SPECIFIED LEADING DIMENSIONS ARE INCHES DIMENSIONS IN [ ] ARE MILLIMETERS</p> <p>TOLERANCES:</p> <p>X = +2 [ 5.08]      FRACTIONS +1/32</p> <p>.XX = +0.02 [ .51]      ANGLES ±1°</p> <p>.XXX = ±0.005 [ .13]</p> <p>CABLE LENGTH (L) TOLERANCES:</p> <p>L ≤ 12 [305] = +1 [25] / -0</p> <p>12 [305] &lt; L ≤ 60 [1524] = +2 [51] / -0</p> <p>60 [1524] &lt; L ≤ 120 [3048] = +4 [102] / -0</p> <p>120 [3048] &lt; L ≤ 300 [7620] = +6 [152] / -0</p> <p>300 [7620] &lt; L = +6%L / -0</p> <p>ALL DIMENSIONS SHOWN ARE FOR REFERENCE ONLY.</p>	<p>SIZE A    CAGE CODE 30992    DRAWN BY K.DANG    ITEM NO. CASPO375010    REV. A</p>