

## 2 FT Outdoor Rated Type N to 7/16 DIN F/F SPO-375 Low PIM Cable Jumper



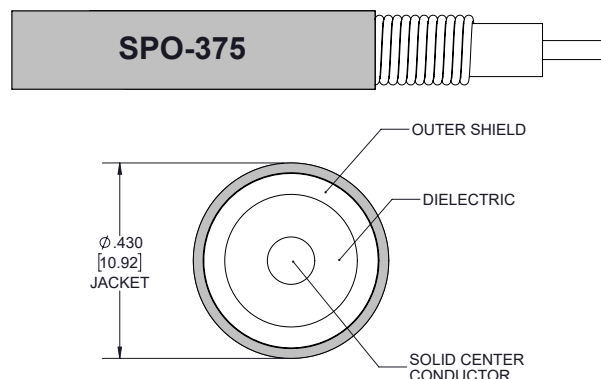
### CASPO375008-2FT

#### Configuration

- Connector 1: 7/16 DIN Female
- Connector 2: N Female
- Cable Type: SPO-375

#### Features

- Max Frequency 5.8 GHz
- Low PIM: -160 dBc Max
- FRPE Jacket
- Shielding Effectivity > 100 dB
- 100% Tested with PIM Test Results Marked on Cable
- 1.25 Inch Minimum Bend Radius
- Low Loss with Excellent VSWR



#### Applications

- Distributed Antennas Systems (DAS)
- Outdoor Installations
- Low PIM Applications
- Multi-Carrier Communication Systems

#### Description

PolyPhaser CASPO375008-2FT is a 2 FT Outdoor Rated Type N to 7/16 DIN F/F SPO-375 Low PIM Cable Jumper built using high quality components by skilled technicians to ensure a reliable product. The Type N Female to 7/16 DIN Female jumper connections are designed to industry standard interface dimensions to ensure superior performance. These low PIM corrugated cable assemblies are durable and outdoor rated for applications that require these parameters. All PolyPhaser cable assemblies are available for same day shipment to fulfill your urgent needs. This high-quality RF coaxial assembly is perfect in many RF Interconnect applications such as outdoor installations, distributed antenna systems (DAS), low PIM applications, and many other RF systems. The CASPO375008-2FT Type N to 7/16 DIN low PIM cable assembly is the perfect companion to PolyPhaser line of products, particularly when used as an antenna jumper.

The three eighths inch low PIM outdoor rated coax used in these Type N to 7/16 DIN assemblies is a .375 inch diameter copper corrugated coax with a black FRPE jacket. This cable's foam PE dielectric is low loss material with a phase velocity of 83% and offers excellent passive intermodulation (PIM) performance better than -160 dBc. The construction of the three eighths inch copper corrugated jumper results in a minimum bend radius of 1.25 inches. The cable assembly's combination of Type N to 7/16 DIN F/F and Times Microwave's SPO-376 low PIM plenum rated cable supports a maximum operation frequency of 5.8 GHz. Each cable assembly is installed with heat shrink booting on each end and a PIM label with the measured PIM level. You can find detailed performance specifications in the product datasheet. All PolyPhaser assemblies are tested and inspected prior to shipping.

Click the following link (or enter part number in "SEARCH" on website) to obtain additional part information including price, inventory and certifications:  
[2 FT Outdoor Rated Type N to 7/16 DIN F/F SPO-375 Low PIM Cable Jumper CASPO375008-2FT](#)

2 FT Outdoor Rated Type N to 7/16 DIN F/F SPO-375 Low PIM Cable Jumper



**CASPO375008-2FT**

**Electrical Specifications**

Description	Minimum	Typical	Maximum	Units
Frequency Range	DC		6	GHz
VSWR			1.4:1	
Velocity of Propagation		83		%
Passive Intermodulation			-158	dBc
Capacitance		24 [78.74]		pF/ft [pF/m]

**Specifications by Frequency**

Description	F1	F2	F3	F4	F5	Units
Frequency	0.25	0.5	1	2.5	6	GHz
Insertion Loss (Max.)	0.23	0.26	0.29	0.34	0.44	dB
VSWR (Max.)	1.4:1	1.4:1	1.4:1	1.4:1	1.4:1	
Return Loss (Max.)	15.56	15.563	15.563	15.563	15.563	dB

Electrical Specification Notes:

The Insertion Loss data above is based on the performance specifications of the coax cable and connectors used in this assembly. The Insertion Loss is estimated as 0.1 dB per connector.

**Mechanical Specifications**

**Size**

Length	24 in [609.6 mm]
Diameter	1.14 in [28.96 mm]
Weight	0.497 lbs [225.44 g]

**Cable**

Cable Type	SPO-375
Impedance	50 Ohms
Inner Conductor Type	Solid
Inner Conductor Material and Plating	Copper Clad Aluminum
Dielectric Type	Foam PE
Number of Shields	1
Shield Layer 1	Helically Corrugated Copper Tube
Outer Conductor Material and Plating	Copper
Outer Conductor Diameter	0.38 in [9.65 mm]
Jacket Material	PE, Black
Jacket Diameter	0.43 in [10.92 mm]

Click the following link (or enter part number in "SEARCH" on website) to obtain additional part information including price, inventory and certifications:  
[2 FT Outdoor Rated Type N to 7/16 DIN F/F SPO-375 Low PIM Cable Jumper CASPO375008-2FT](#)

2 FT Outdoor Rated Type N to 7/16 DIN F/F SPO-375 Low PIM Cable Jumper



**CASPO375008-2FT**

One Time Minimum Bend Radius 1.75 in [44.45 mm]

**Connectors**

Description	Connector 1	Connector 2
Type	7/16 DIN Female	N Female
Impedance	50 Ohms	50 Ohms
Contact Material and Plating	Phosphor Bronze, Silver	Brass, Silver
Contact Plating Specification	200 µin	196 µin
Dielectric Type	PTFE	PTFE
Outer Conductor Material and Plating		Brass, Tri-Metal
Outer Conductor Plating Specification		118 µin
Body Material and Plating	Brass, Tri-Metal	
Body Plating Specification	80 µin	
Coupling Nut Material and Plating		Brass, Tri-Metal
Coupling Nut Plating Specification		118 µin
Torque		6 in-lbs [0.68 Nm]

**Environmental Specifications**

**Temperature**

Operating Range -40 to +85 deg C

**Compliance Certifications**

**Plotted and Other Data**

Notes:

PolyPhaser protects and increases the reliability of global RF communications networks, including transportation, telecommunications, defense, security and industrial applications, with superior RF surge protection technologies including DC Block, DC Pass and Ultra Low PIM. Backed by responsive service and expert technical support PolyPhaser continually expands its product offering and services to serve engineers' urgent needs for RF components in mission critical communication networks.

Click the following link (or enter part number in "SEARCH" on website) to obtain additional part information including price, inventory and certifications: [2 FT Outdoor Rated Type N to 7/16 DIN F/F SPO-375 Low PIM Cable Jumper CASPO375008-2FT](https://www.polyphaser.com/2-ft-outdoor-rated-type-n-to-7-16-din-f-f-spo-375-low-pim-cable-jumper-caspo375008-2ft)

URL: <https://www.polyphaser.com/2-ft-outdoor-rated-type-n-to-7-16-din-f-f-spo-375-low-pim-cable-jumper-p.aspx>

The information contained in this document is accurate to the best of our knowledge and representative of the part described herein. It may be necessary to

Click the following link (or enter part number in "SEARCH" on website) to obtain additional part information including price, inventory and certifications: [2 FT Outdoor Rated Type N to 7/16 DIN F/F SPO-375 Low PIM Cable Jumper CASPO375008-2FT](https://www.polyphaser.com/2-ft-outdoor-rated-type-n-to-7-16-din-f-f-spo-375-low-pim-cable-jumper-caspo375008-2ft)

2 FT Outdoor Rated Type N to 7/16 DIN F/F SPO-375 Low PIM Cable Jumper



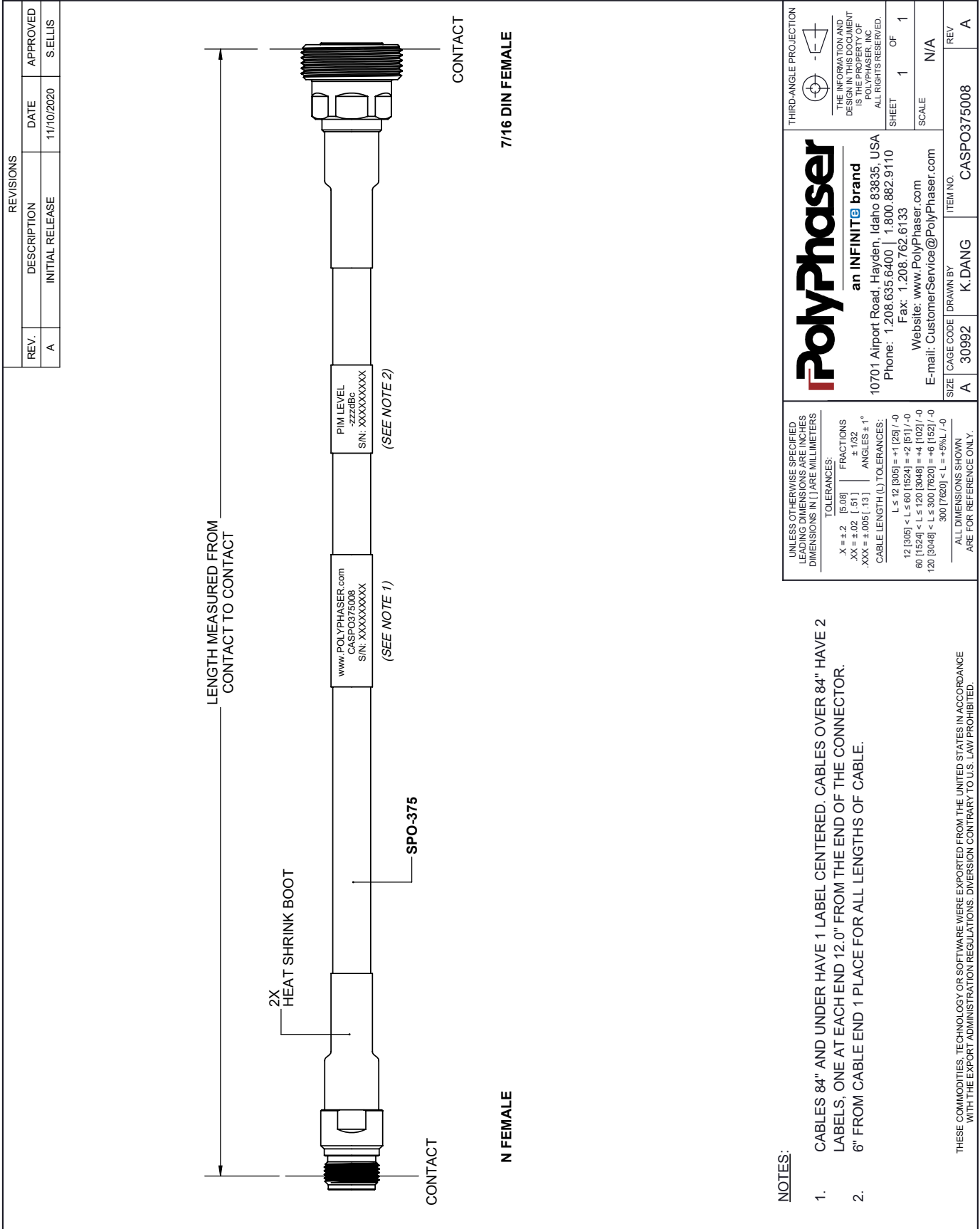
## CASPO375008-2FT

---

make modifications to the part and/or the documentation of the part, in order to implement improvements. PolyPhaser reserves the right to make such changes as required. Unless otherwise stated, all specifications are nominal. PolyPhaser does not make any representation or warranty regarding the suitability of the part described herein for any particular purpose, and PolyPhaser does not assume any liability arising out of the use of any part or documentation.

2 FT Outdoor Rated Type N to 7/16 DIN F/F SPO-375 Low PIM Cable Jumper

CASPO375008-2FT CAD Drawing



REVISIONS		
REV.	DESCRIPTION	DATE
A	INITIAL RELEASE	11/10/2020
		APPROVED
		S.ELLIS

**PolyPhaser**  
an INFINITE brand

10701 Airport Road, Hayden, Idaho 83835, USA  
Phone: 1.208.635.6400 | 1.800.882.9110  
Fax: 1.208.762.6133  
Website: www.PolyPhaser.com  
E-mail: CustomerService@PolyPhaser.com

UNLESS OTHERWISE SPECIFIED LEADING DIMENSIONS ARE IN INCHES DIMENSIONS IN [ ] ARE MILLIMETERS

TOLERANCES:  
X = +2 [ 5.08] FRACTIONS  
.XX = +0.02 [ .51] +1/32  
.XXX = +0.005 [ .13] ANGLES ±1°

CABLE LENGTH (L) TOLERANCES:  
L ≤ 12 [305] = +1 [25] / -0  
12 [305] < L ≤ 60 [1524] = +2 [51] / -0  
60 [1524] < L ≤ 120 [3048] = +4 [102] / -0  
120 [3048] < L ≤ 300 [7620] = +6 [152] / -0  
300 [7620] < L = +6%L / -0

ALL DIMENSIONS SHOWN ARE FOR REFERENCE ONLY.

THIRD-ANGLE PROJECTION

THE INFORMATION AND DESIGN IN THIS DOCUMENT IS THE PROPERTY OF ALL RIGHTS RESERVED.

SHEET 1 OF 1  
SCALE N/A

SIZE	CAGE CODE	DRAWN BY	ITEM NO.
A	30992	K.DANG	CASPO375008

REV A

- NOTES:**
- CABLES 84" AND UNDER HAVE 1 LABEL CENTERED. CABLES OVER 84" HAVE 2 LABELS, ONE AT EACH END 12.0" FROM THE END OF THE CONNECTOR.
  - 6" FROM CABLE END 1 PLACE FOR ALL LENGTHS OF CABLE.
- THESE COMMODITIES, TECHNOLOGY OR SOFTWARE WERE EXPORTED FROM THE UNITED STATES IN ACCORDANCE WITH THE EXPORT ADMINISTRATION REGULATIONS. DIVERSION CONTRARY TO U.S. LAW PROHIBITED.