

MODEL: CMR-1436-3032SP | **DESCRIPTION:** RECEIVER

FEATURES

- for in ear applications
- 32 ohm
- with removable protective cover

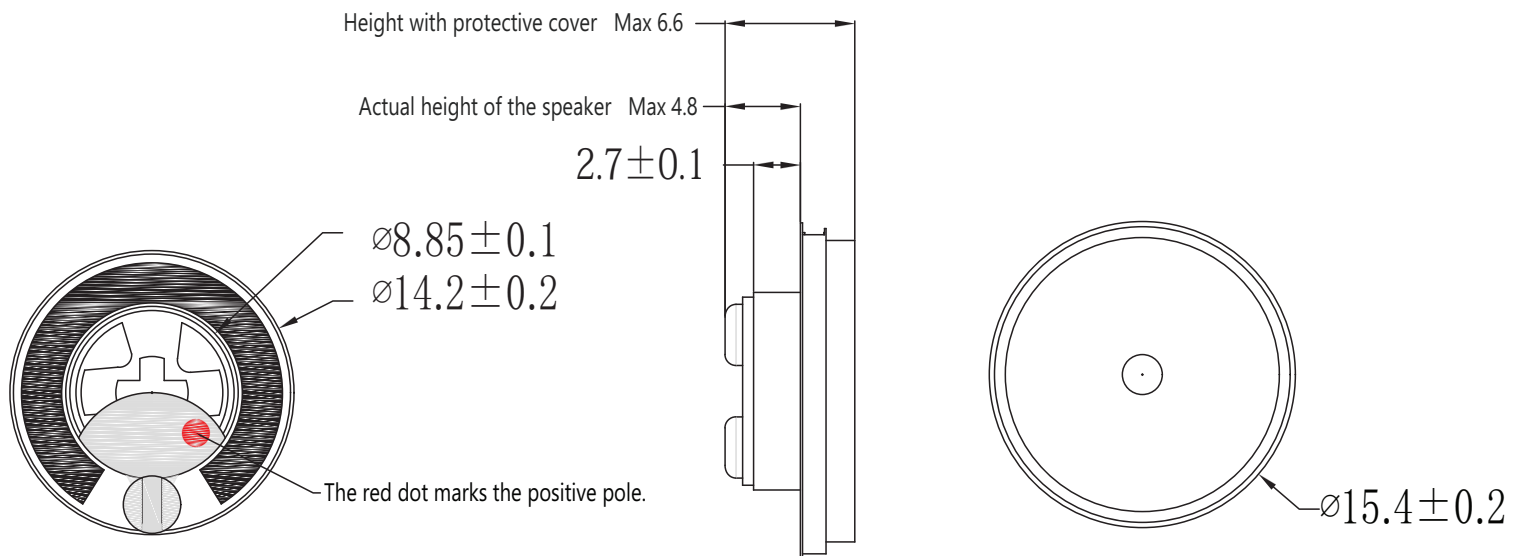
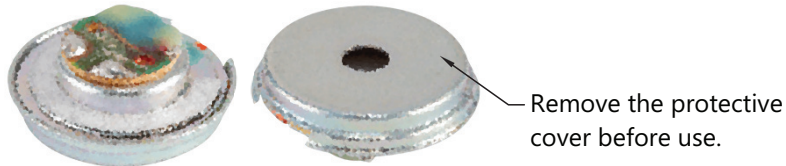

SPECIFICATIONS

parameter	conditions/description	min	typ	max	units
input power	sine wave		10	20	mW
impedance		27.2	32.0	36.8	Ω
resonant frequency (Fo)		96	120	144	Hz
frequency response		20		20,000	Hz
sound pressure level	at 1 kHz, 1 mW measured with artificial ear (IEC-318)	118.5	120.0	121.5	dB
distortion	at 1,000 Hz, 30 mW			3	%
buzz, rattle, etc.	must be normal a sine wave between 50~4,000 Hz			0.69	V
polarity	cone moves forward w/ positive dc current to "+" terminal				
dimensions	\varnothing 14.2 x 4.8				mm
magnet	Nd-Fe-B				
frame	SPCC				
cone material	PEEK+PU				
terminal	solder pads				
weight			1.5		g
operating temperature		-20		55	$^{\circ}$ C
storage temperature		-20		60	$^{\circ}$ C
hand soldering	for 1-3 seconds	350	380	410	$^{\circ}$ C
RoHS	yes				

Notes: 1. All specifications measured at 25-35 $^{\circ}$ C, humidity at 25-75%, under 86-106 kPa pressure, unless otherwise noted.

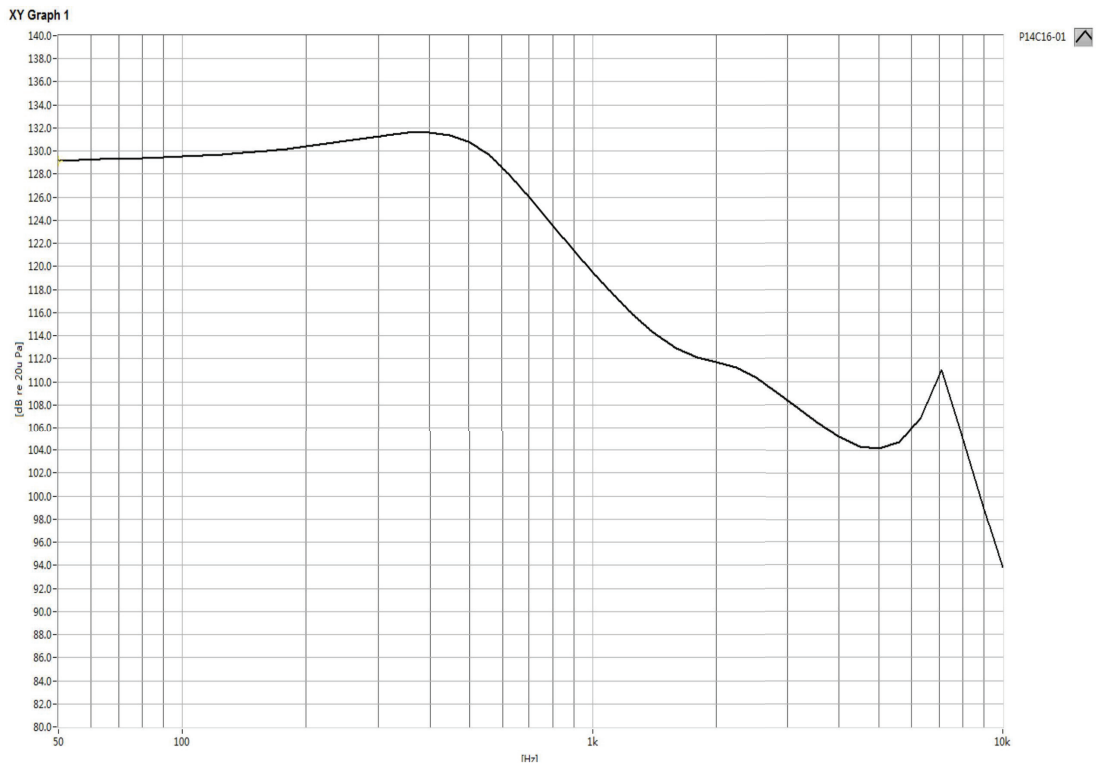
MECHANICAL DRAWING

units: mm
tolerance:
0-8: ± 0.05 mm
8-16: ± 0.1 mm
unless otherwise specified

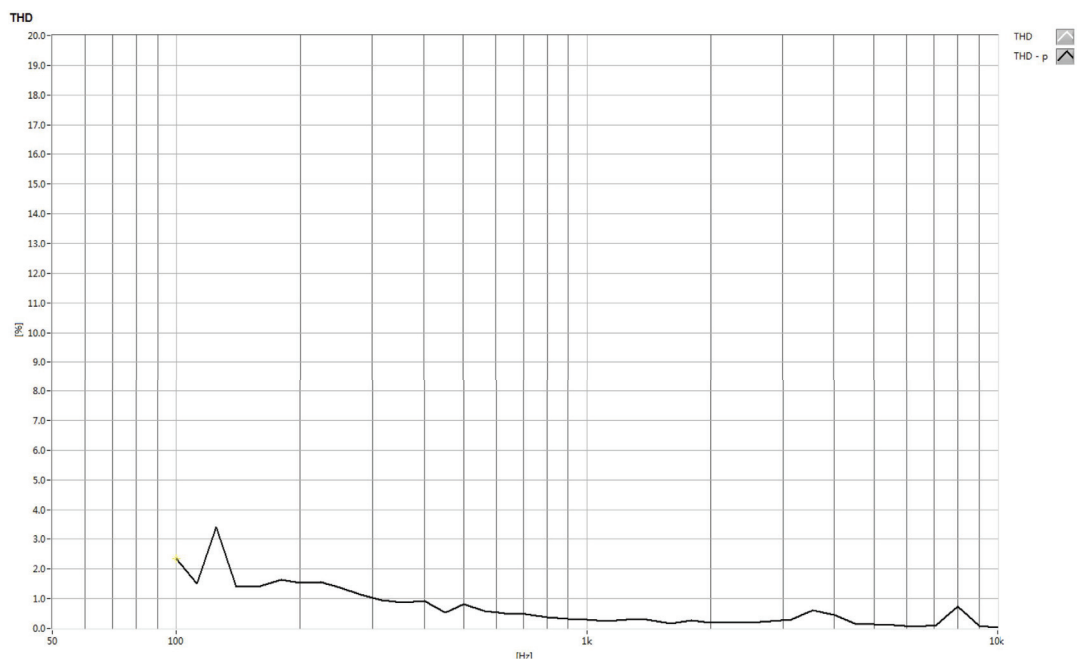


RESPONSE CURVES

Frequency Response Curve



Total Harmonic Distortion Curve



REVISION HISTORY

rev.	description	date
1.0	initial release	08/26/2025

The revision history provided is for informational purposes only and is believed to be accurate.



Same Sky offers a one (1) year limited warranty. Complete warranty information is listed on our website.

Same Sky reserves the right to make changes to the product at any time without notice. Information provided by Same Sky is believed to be accurate and reliable. However, no responsibility is assumed by Same Sky for its use, nor for any infringements of patents or other rights of third parties which may result from its use.

Same Sky products are not authorized or warranted for use as critical components in equipment that requires an extremely high level of reliability. A critical component is any component of a life support device or system whose failure to perform can be reasonably expected to cause the failure of the life support device or system, or to affect its safety or effectiveness.

[sameskydevices.com](https://www.sameskydevices.com)