



Main

Range of Product	Telemecanique Photoelectric sensors XU
Series name	Application assembly
Electronic sensor type	Photo-electric sensor
Product Specific Application	Verifying operation of indicator lights on electrical appliances Testing car headlights on production line
Sensor name	XUY
Sensor design	Fiber design
Material	Plastic
Detection system	Diffuse
[Sn] nominal sensing distance	0.00 in (0 mm) depending on plastic fibres diameter 2.2 mm used
Wiring Technique	4-wire
Type of output signal	Discrete

Complementary

Enclosure Material	Polycarbonate
Output Type	Solid state
Discrete output function	1 NO or 1 NC programmable
Electrical connection	1 male connector M8, 4 pins
Status LED	Output signal 1 LED green) Limit of detection 1 LED red) Time delay active 1 LED red)
Supply circuit type	DC
[Us] rated supply voltage	24 V DC reverse polarity protection
Supply voltage limits	10...30 V DC
Voltage state 0 guaranteed	< 1.4 V
Voltage state 1 guaranteed	> 3 V
Switching capacity in mA	100 mA (overload and short-circuit protection)
Switching frequency	< 5 Hz
Maximum voltage drop	<2 V (closed state)
Current consumption	< 40 mA
Time delay range	0...5 s (adjustment increments)
Maximum delay response	100 ms
Maximum delay recovery	100 ms
Setting-up	With sensitivity adjustment
Net Weight	0.12 lb(US) (0.054 kg)

Environment

Product Certifications	CE
Ambient Air Temperature for Operation	32...140 °F (0...60 °C)
Ambient Air Temperature for Storage	-4...176 °F (-20...80 °C)
IP degree of protection	IP65 IEC 60529

The information provided in this documentation contains general descriptions and/or technical characteristics of the performance of the products contained herein. This documentation is not intended as a substitute for and is not to be used for determining suitability or reliability of these products for specific user applications. It is the duty of any such user or integrator to perform the appropriate and complete risk analysis, evaluation and testing of the products with respect to the relevant specific application or use thereof. Neither Schneider Electric Industries SAS nor any of its affiliates or subsidiaries shall be responsible or liable for misuse of the information contained herein.

Ordering and shipping details

Category	22481-SENSORS, PHOTOELECTRIC
Discount Schedule	DS2
GTIN	3389119010177
Returnability	No
Country of origin	FR

Packing Units

Unit Type of Package 1	PCE
Number of Units in Package 1	1
Package 1 Height	1.38 in (3.5 cm)
Package 1 Width	2.76 in (7.0 cm)
Package 1 Length	5.12 in (13.0 cm)
Package 1 Weight	1.76 oz (50.0 g)
Unit Type of Package 2	S01
Number of Units in Package 2	15
Package 2 Height	5.91 in (15.0 cm)
Package 2 Width	5.91 in (15.0 cm)
Package 2 Length	15.75 in (40.0 cm)
Package 2 Weight	33.44 oz (948.0 g)

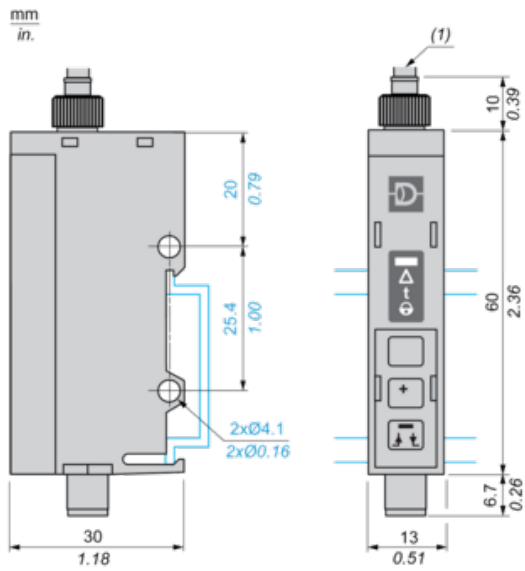
Offer Sustainability

California proposition 65	WARNING: This product can expose you to chemicals including: Diisononyl phthalate (DINP), which is known to the State of California to cause cancer, and Di-isodecyl phthalate (DIDP), which is known to the State of California to cause birth defects or other reproductive harm. For more information go to www.P65Warnings.ca.gov
REACH Regulation	REACH Declaration
EU RoHS Directive	Pro-active compliance (Product out of EU RoHS legal scope) EU RoHS Declaration
Mercury free	Yes
RoHS exemption information	Yes

Contractual warranty

Warranty	18 months
----------	-----------

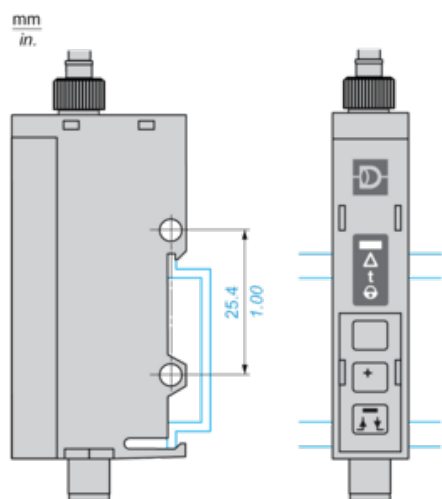
Dimensions



(1) Ø 2.2 mm plastic fibre optic

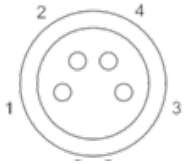
Mounting and Clearance

Mounting on 35 mm rail



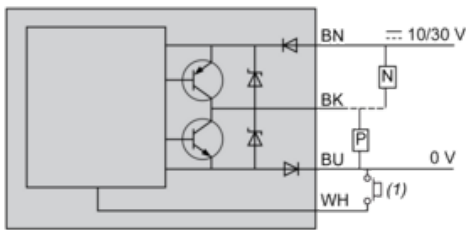
Wiring Schemes

M8 Connector



- 1 : Brown
- 2 : White
- 3 : Blue
- 4 : Black

Scheme



- BN : Brown
- WH : White
- BU : Blue
- BK : Black

(1) Remote teaching. If not used: connect to +