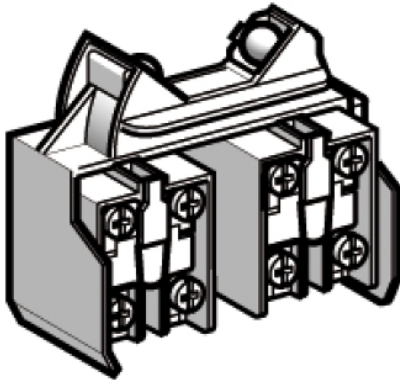


XCRZ12

Limit switch contact block with mounting plate,
Limit switches XC Standard, XCRZ, 2X(1NO
+NC), snap action



Main

Range of Product	OsiSense XC
Series name	Special format
Product or Component Type	Limit switch contact block with mounting plate
Device short name	XCRZ
Product Compatibility	XCRC XCRA XCRF XCRB
Electrical connection	Screw-clamp terminals 1 x 0.34...2 x 1.5 mm ²
Number of poles	4
Contacts type and composition	2 x (1 NC + 1 NO)
Contact operation	Snap action
Contacts material	Silver plated contacts
Positive opening	With

Complementary

Contacts insulation form	Zb
Minimum actuation speed	0.01 mm/s
Contact code designation	A300, AC-15 (U _e = 240 V), I _e = 3 A EN/IEC 60947-5-1 appendix A Q300, DC-13 (U _e = 250 V), I _e = 0.27 A EN/IEC 60947-5-1 appendix A
Maximum resistance across terminals	25 mOhm IEC 60255-7 category 3
[U _i] rated insulation voltage	300 VUL 508 500 V 3)IEC 60947-1 500 VNF C 20-040 group C 500 VVDE 0110 300 VCSA C22.2 No 14
[U _{imp}] rated impulse withstand voltage	6 kV IEC 60664 6 kV IEC 60947-1
Short-circuit protection	10 A cartridge fuse gG
Electrical durability	5000000 Cycles, DC-13 120 V, 4 W 60 cyc/mn 0.5 IEC 60947-5-1 appendix C 5000000 Cycles, DC-13 24 V, 10 W 60 cyc/mn 0.5 IEC 60947-5-1 appendix C 5000000 cycles, DC-13 48 V, 7 W 60 cyc/mn 0.5 IEC 60947-5-1 appendix C

Ordering and shipping details

Category	22449-LIMIT SWITCHES,ACCESSORIES
Discount Schedule	T
GTIN	3389110652482
Returnability	No
Country of origin	FR

Packing Units

Unit Type of Package 1	PCE
Number of Units in Package 1	1
Package 1 Height	2.76 in (7.0 cm)
Package 1 Width	1.26 in (3.2 cm)
Package 1 Length	3.15 in (8.0 cm)

Package 1 Weight	2.26 oz (64.0 g)
Unit Type of Package 2	S02
Number of Units in Package 2	25
Package 2 Height	5.91 in (15.0 cm)
Package 2 Width	11.81 in (30.0 cm)
Package 2 Length	15.75 in (40.0 cm)
Package 2 Weight	4.53 lb(US) (2.055 kg)

Offer Sustainability

Sustainable offer status	Green Premium product
California proposition 65	WARNING: This product can expose you to chemicals including: Diisononyl phthalate (DINP), which is known to the State of California to cause cancer, and Di-isodecyl phthalate (DIDP), which is known to the State of California to cause birth defects or other reproductive harm. For more information go to www.P65Warnings.ca.gov
REACH Regulation	REACH Declaration
REACH free of SVHC	Yes
EU RoHS Directive	Pro-active compliance (Product out of EU RoHS legal scope) EU RoHS Declaration
Mercury free	Yes
RoHS exemption information	Yes
Environmental Disclosure	Product Environmental Profile

Contractual warranty

Warranty	18 months
----------	-----------