



Part Number: D3C1011YMG-77K

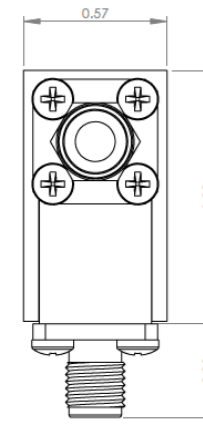
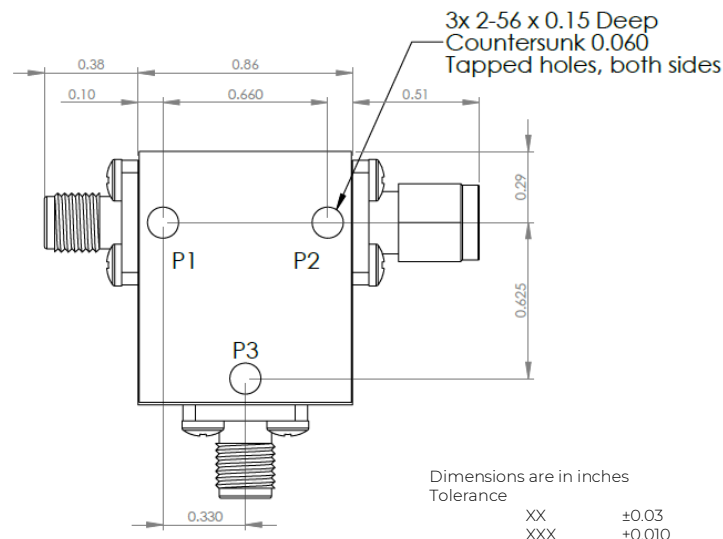
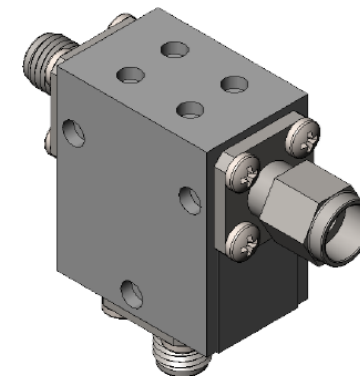
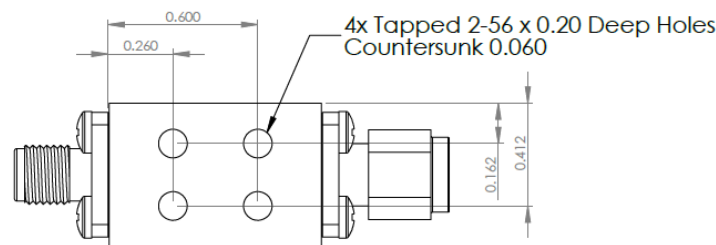
Electrical Specifications

Frequency Range (GHz): 10.0 – 11.0  
 Isolation (dB): 28 MIN  
 Insertion Loss (dB): 0.2 MAX  
 Return Loss (dB): 25 MIN  
 Forward Power (W): 25 AVG  
 500 PK

Mechanical/Environmental Specifications

Connector Type: SMA  
 Connector Body: Passivated stainless steel  
 Connector Pin: Gold plated copper  
 Magnetic Shunt: Nickel plated CRS  
 Magnetically Shielded: Yes  
 Operational Temp: < 77K  
 Weight (oz) 1.0 MAX

D3C1011YMG-77K-2



Type of Device	PN Suffix	Connector Configuration Port 1 / Port 2 / Port 3	PN Example
Single Junction Circulator 3-Port Device Port 1 / Port 2 / Port 3	No Dash	Female / Female / Female	D3C1011YMG-77K
	-1	Male / Female / Female	D3C1011YMG-77K-1
	-2	Female / Male / Female	D3C1011YMG-77K-2
	-3	Male / Male / Male	D3C1011YMG-77K-3
	-4	Female / Female / Male	D3C1011YMG-77K-4
	-5	Male / Female / Male	D3C1011YMG-77K-5
	-6	Male / Male / Female	D3C1011YMG-77K-6
	-7	Female / Male / Male	D3C1011YMG-77K-7



## MEASURED DATA

Part Number: D3C1011YMG-77K, P1→P2, P3 Terminated with 50Ω, Measured at 77K

