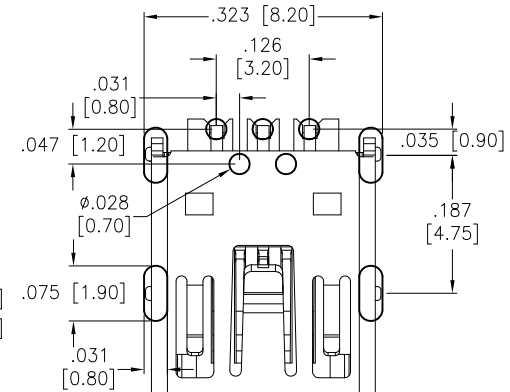
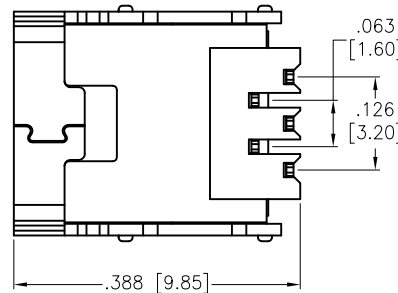
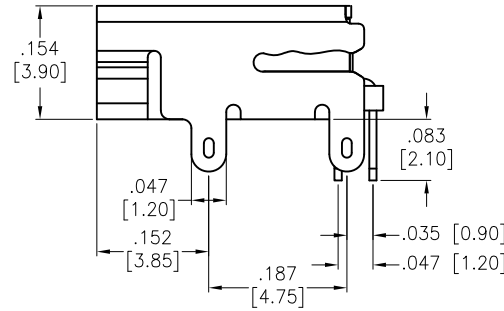
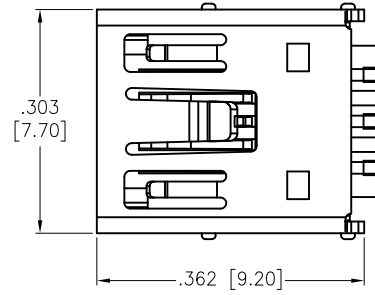
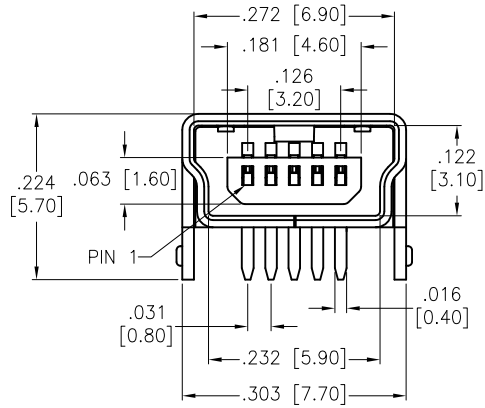


APPROVED: _____
 DATE: _____ TITLE: _____

Rev	AWO #	Description	Date	Appr
-		RELEASED	8/12/15	HR/MW
A		UPDATED DIM. & SPEC.	1/20/16	HR/YC



RECOMMENDED PCB LAYOUT

SPECIFICATIONS:

Material:
 Insulator: Hi-Temp Thermoplastic, rated UL 94V-0
 Insulator color: Black
 Contacts: Phosphor Bronze
 Shell: Brass, Nickel plated

Plating:
 Gold Flash over Nickel underplate on contact area,
 Tin over Nickel underplate on PCB tails.

Electrical:
 Current rating: 1 A max.
 Contact resistance: 30 Mohms max.
 Insulation resistance: 1,000 Mohms min. @ 500 VDC
 Dielectric withstanding voltage: 30 VAC for 1 minute

Temperature Rating:
 Operating temperature: -55°C to +105°C

Environmental:
 Lead free, RoHS compliant.



UNLESS OTHERWISE SPECIFIED ALL DIMENSIONS ARE INCHES [MM] TOLERANCES: EXCEPT AS NOTED		ADAM TECH 909 Rahway Avenue, Union, NJ 07083 Phone: 908-687-5000 Fax: 908-687-5710	
INCHES HOLES			
.X ± .10	∅X ± .10	TITLE: MINI USB, TYPE B, 5PIN, RIGHT ANGLE, PCB MOUNT	
.XX ± .020	∅XX ± .015		
.XXX ± .015	∅XXX ± .010		
APPROVALS		DATE	
DRAWN	HR	8/12/15	
CHECKED	MW	8/12/15	
APPROVED			
SIZE	PART NO.	REV.	
X	MUSB-B5-S-RA-CS1	A	
REF: S00217T	SCALE: NTS	SHEET 1 OF 1	