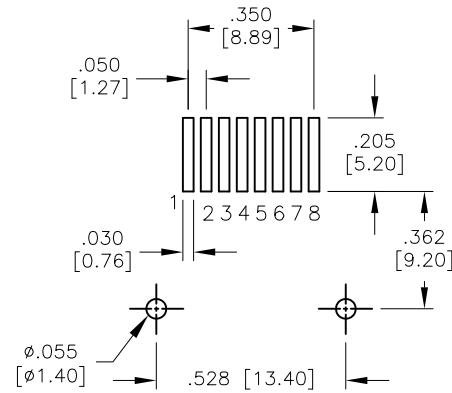
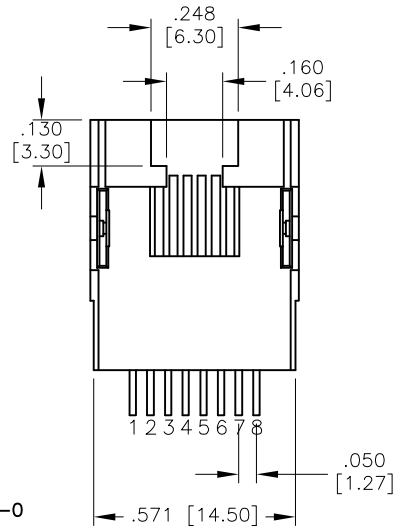
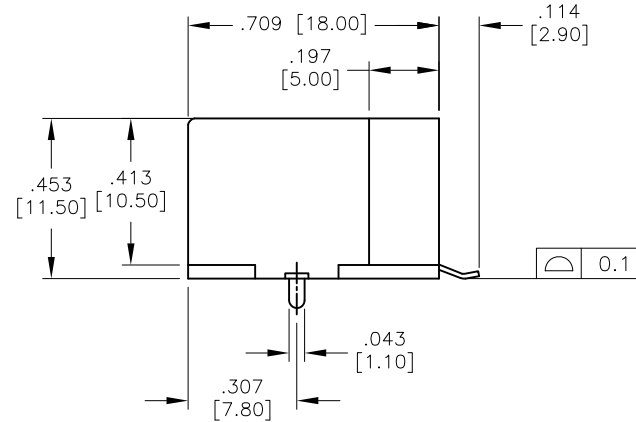
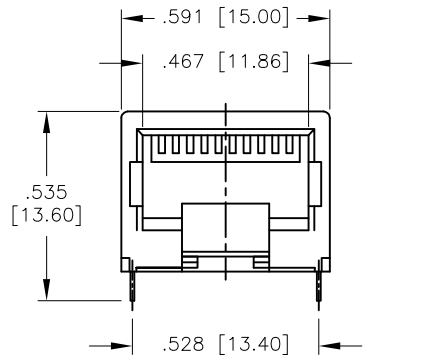


APPROVED: _____
 DATE: _____ TITLE: _____

Rev	AWO #	Description	Date	Appr
-		RELEASED	5/17/05	
A		UPDATED	9/16/08	
B		UPDATE DRAWING	6/23/16	AY/MW
C		UPDATE DIM.	7/7/20	AY/RC



RECOMENDED
PCB LAYOUT

SPECIFICATIONS:

Material:
 Insulator: Hi-temp thermoplastic, rated UL 94V-0
 Insulator color: Black

Contacts: Phosphor Bronze
 Hold down: Copper Allot, Tin plated

Plating:
 Gold over Nickel underplate on contact area
 Gold flash over Nickel underplate on solder tails

Electrical:
 Voltage Rating: 150 VAC max
 Current rating: 1.5 Amps max
 Contact Resistance: 20 mohms max.
 Insulation resistance: 500 Mohms min @500 VDC
 Dielectric withstanding voltage: 1000 Vrms for 1 minut

Temperature Rating:
 Operating temperature: -40°C to +85°C

Environmental:
 Lead free, RoHS compliant.



UNLESS OTHERWISE SPECIFIED
 ALL DIMENSIONS ARE INCHES [MM]
 TOLERANCES: EXCEPT AS NOTED

INCHES		HOLES	
.X	± .10	Ø.X	± .10
.XX	± .020	Ø.XX	± .015
.XXX	± .015	Ø.XXX	± .010

APPROVALS		DATE
DRAWN	SS	5/17/05
CHECKED		
APPROVED		

ADAM
TECH
INTERCONNECTS

909 Rahway Avenue,
 Union, NJ 07083
 Phone: 908-687-5000
 Fax: 908-687-5710

TITLE: **MODULAR TELEPHONE JACK, 8P8C
 RIGHT ANGLE, SURFACE MOUNT**

SIZE	PART NO.	REV.
X	MTJ-88YX1	B
REF: S00065T	SCALE: NTS	SHEET 1 OF 1