

6

5

4

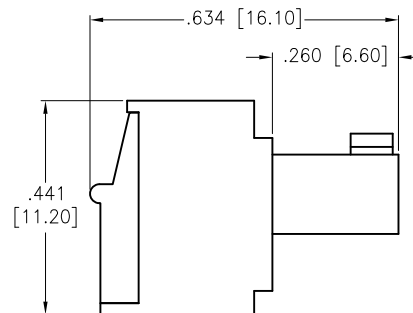
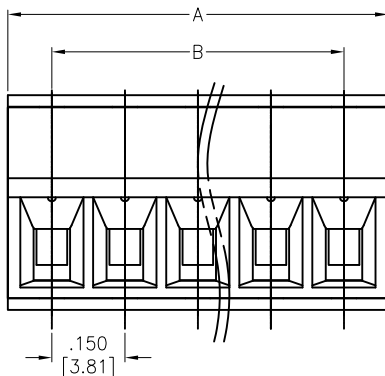
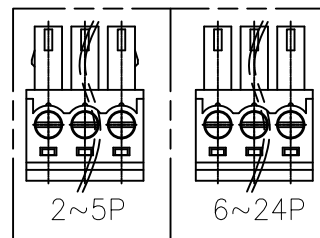
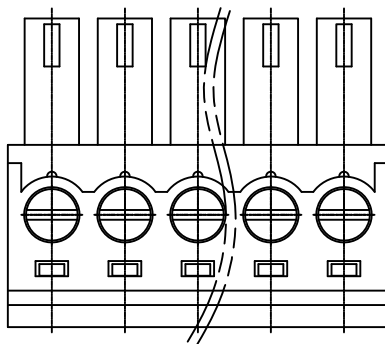
3

2

1

APPROVED: _____
DATE: _____ TITLE: _____

Rev	AWO #	Description	Date	Appr
-		RELEASED	5/2/14	
A		REVISED DIM.	6/4/14	HR/VY
B		UPDATE SPEC.	8/27/15	AY
C		UPDATE DRAWING	4/11/17	AY
D		UPDATE SPEC.	7/28/20	AY/EY



SPECIFICATIONS:

Material:
 Insulator: PA66, rated UL 94V-0
 Insulator color: Green
 Screws: M2
 Contactor Material: Copper Alloy, Nickel plated

Electrical:
 Voltage rating: 300 V
 Current rating: 8 A
 Dielectric withstanding voltage: 1,600 V for 1 minute

Mechanical:
 Wire range: 28-16 AWG
 Torque: 0.2 N.m max
 Wire strip length: 6-7mm
 Temperature Rating:
 Operating temperature: -40°C to +105°C

Environmental:
 Lead free, RoHS compliant.



Positions: 02 thru 24
 A = .150 [3.81] x No. of Spaces + .181 [4.60]
 B = .150 [3.81] x No. of Spaces

UNLESS OTHERWISE SPECIFIED ALL DIMENSIONS ARE INCHES [MM] TOLERANCES: EXCEPT AS NOTED		ADAM TECH INTERCONNECTS		909 Rahway Avenue, Union, NJ 07083 Phone: 908-687-5000 Fax: 908-687-5710	
INCHES .X ± .10 .XX ± .020 .XXX ± .015		HOLES Ø.X ± .10 Ø.XX ± .015 Ø.XXX ± .010		TITLE PLUGGABLE BLOCK, PITCH .150 [3.81]	
APPROVALS DRAWN HR CHECKED SY APPROVED		DATE 5/2/14 5/2/14		SIZE X	
		PART NO. EBKA-XX-B		REV. D	
		REF: S00067C		SCALE: NTS SHEET 1 OF 1	

6

5

4

3

2

1