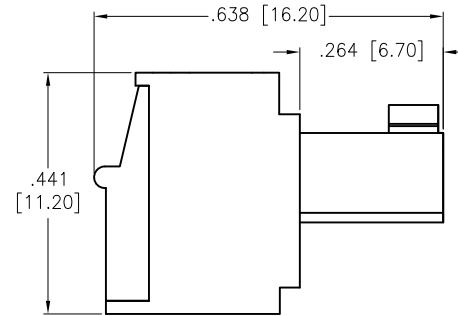
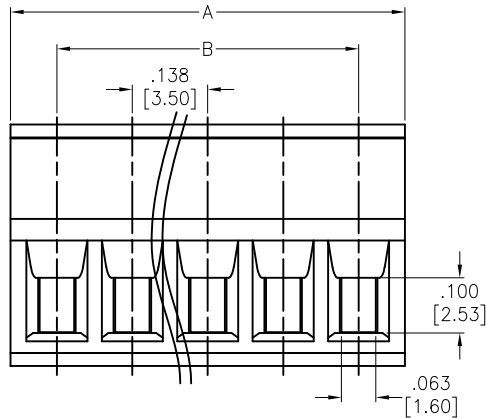
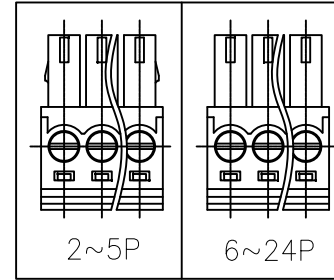
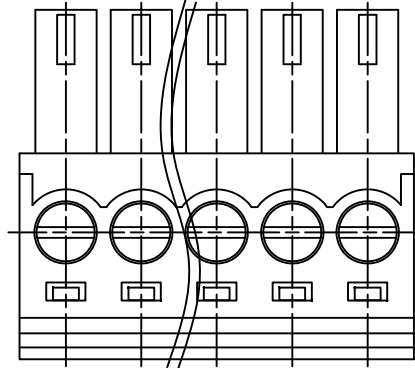


APPROVED: _____
 DATE: _____ TITLE: _____

Rev	AWO #	Description	Date	Appr
-		RELEASED	6/13/14	
A		UPDATE SPEC.	8/27/15	AY
B		UPDATE DRAWING	4/11/17	AY
C		UPDATE DRAWING	12/8/20	LH/EY



SECTION A-A

SPECIFICATIONS:

Material:
 Insulator: PA66, rated UL 94V-0
 Insulator color: Green
 Contact: Copper Alloy ,Nickel Plated
 Screw: M2

Electrical:
 Voltage rating: 300V
 Current rating: 8 Amp
 Dielectric withstanding voltage: 1,600 VAC for 1 minute

Mechanical:
 Wire range: 16-28 AWG
 Torque: 0.2Nm
 Strip length: 6-7mm
 Temperature Rating:

Operating temperature: -40°C to +105°C

Environmental:
 Lead free, RoHS compliant.



Positions: 2 thru 24
 A = .138 [3.50] x No. of Spaces + .169 [4.30]
 B = .138 [3.50] x No. of Spaces

UNLESS OTHERWISE SPECIFIED ALL DIMENSIONS ARE INCHES [MM] TOLERANCES: EXCEPT AS NOTED			
INCHES		HOLES	
.X ± .10	∅.X ± .10		
.XX ± .020	∅.XX ± .015		
.XXX ± .015	∅.XXX ± .010		
APPROVALS		DATE	
DRAWN	AY	6/13/14	
CHECKED			
APPROVED			

ADAM TECH 909 Rahway Avenue,
 Union, NJ 07083
 Phone: 908-687-5000
 Fax: 908-687-5710

TITLE
PLUGGABLE BLOCK, PITCH .138 [3.50]

SIZE X	PART NO. EBKA-XX-A	REV. C
REF: S00067C	SCALE: NTS	SHEET 1 OF 1