

6

5

4

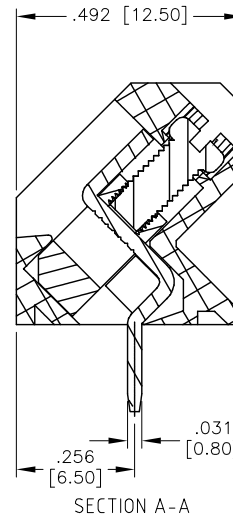
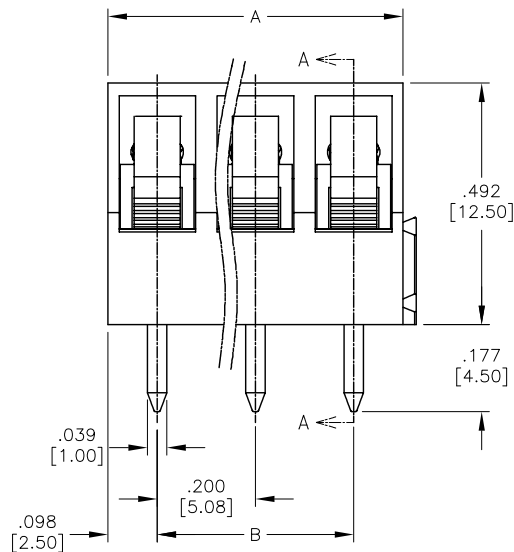
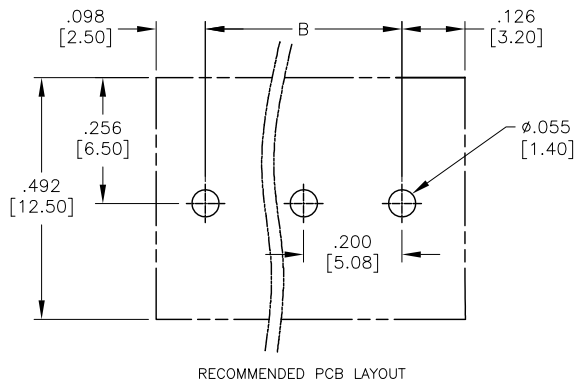
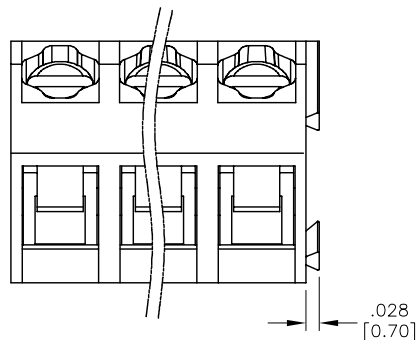
3

2

1

APPROVED: \_\_\_\_\_  
 DATE: \_\_\_\_\_ TITLE: \_\_\_\_\_

Rev	AWO #	Description	Date	Appr
-		RELEASED	5/5/16	
A		UPDATE DRAWING	11/20/20	OW/RC



	Tolerance
2-6P	$\pm .006 [0.15]$
7-12P	$\pm .008 [0.20]$
13-18P	$\pm .012 [0.30]$
19-24P	$\pm .016 [0.40]$

**SPECIFICATIONS:**

Material:  
 Insulator: Thermoplastic, rated UL 94V-0  
 Insulator color: Black  
 Clamp: Brass, Nickel plated  
 Screw: Steel M2.5, Zinc plated  
 Wire guard solder pin: Brass, Tin plated  
 Electrical:  
 Voltage rating: 300V  
 Current rating: 15A  
 Withstanding Voltage: 1.6KV  
 Wire range: 0.34-4.0mm<sup>2</sup>  
 Solid wire (AWG): 12-24  
 Stranded wire (AWG): 12-24  
 Torque: 3.5Lb-In / 0.4 N.m  
 Wire strip length: 6-7mm  
 Temperature Rating:  
 Operating temperature: -40°C to +115°C  
 Environmental:  
 Lead free, RoHS compliant.



Positions: 02 thru 24  
 A = .200 [5.08] x No. of Positions  
 B = .200 [5.08] x No. of Spaces

UNLESS OTHERWISE SPECIFIED  
 ALL DIMENSIONS ARE INCHES [MM]  
 TOLERANCES: EXCEPT AS NOTED  
 INCHES HOLES  
 .X  $\pm .10$   $\phi$ .X  $\pm .10$   
 .XX  $\pm .020$   $\phi$ .XX  $\pm .015$   
 .XXX  $\pm .015$   $\phi$ .XXX  $\pm .010$



909 Rahway Avenue,  
 Union, NJ 07083  
 Phone: 908-687-5000  
 Fax: 908-687-5710

TITLE  
**TERMINAL BLOCK, PCB, 45 DEGREE ANGLE**  
**.200 [5.08] PITCH**

APPROVALS		DATE
DRAWN	AY	5/5/16
CHECKED	TW	5/5/16
APPROVED		

SIZE	PART NO.	REV.
X	EBG-XX-D	A
REF: S00007T	SCALE: NTS	SHEET 1 OF 1

6

5

4

3

2

1