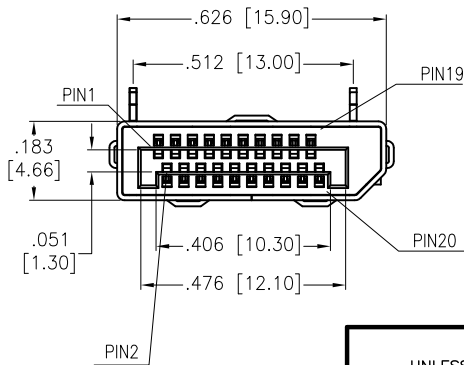
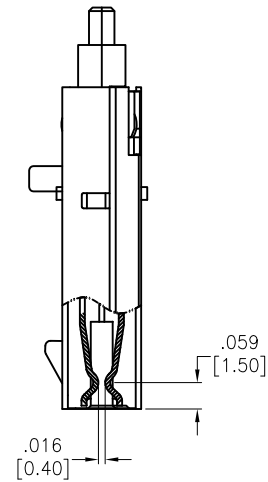
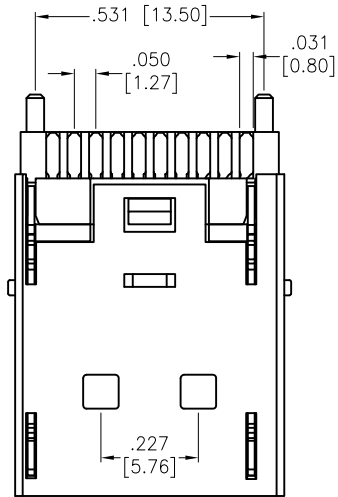
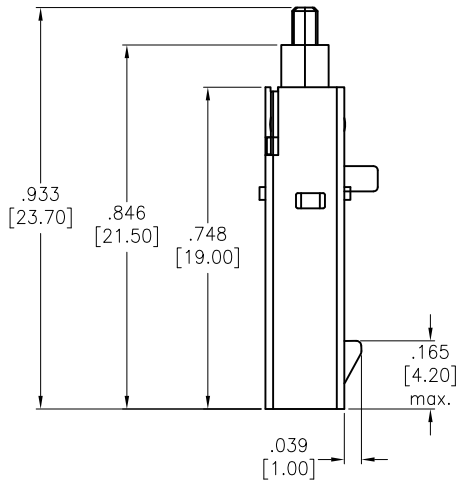
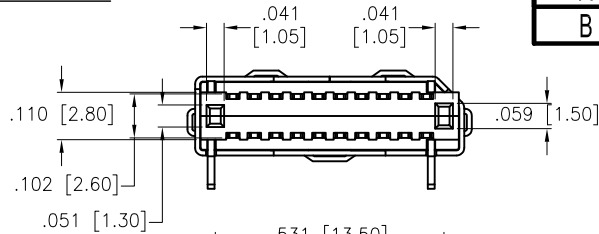


APPROVED: \_\_\_\_\_  
 DATE: \_\_\_\_\_ TITLE: \_\_\_\_\_

Rev	AWO #	Description	Date	Appr
-		RELEASED	1/26/15	
A		UPDATED DRAWING	3/11/15	HR/NP
B		UPDATED DRAWING	10/11/18	HR/RC1



**SPECIFICATIONS:**

Material:  
 Insulator: Hi-Temp Thermoplastic, rated UL 94V-0  
 Insulator color: Black  
 Contacts: Brass  
 Shield: SPCC, Nickel plated  
 Plating:  
 Gold flash over Nickel underplate on contact area  
 Electrical:  
 Voltage rating: 40 VAC RMS  
 Current rating: 0.5 A min  
 Contact resistance: 60 mohms max  
 Insulation resistance: 100 Mohms max  
 Dielectric withstanding voltage: 500 VAC for 1 minute  
 Temperature Rating:  
 Operating temperature: -25°C to +85°C  
 Environmental:  
 Lead free, RoHS compliant.



UNLESS OTHERWISE SPECIFIED  
 ALL DIMENSIONS ARE INCHES [MM]  
 TOLERANCES: EXCEPT AS NOTED  
 INCHES HOLES  
 .X ± .10 Ø.X ± .10  
 .XX ± .020 Ø.XX ± .015  
 .XXX ± .015 Ø.XXX ± .010

**ADAM TECH**  
**INTERCONNECTS**  
 909 Rahway Avenue,  
 Union, NJ 07083  
 Phone: 908-687-5000  
 Fax: 908-687-5710

APPROVALS		DATE
DRAWN	HR	1/26/15
CHECKED	NP	1/26/15
APPROVED		

TITLE			
DISPLAYPORT 20 PIN PLUG, ASSEMBLY TYPE GOLD PLATED, SOLDER TYPE, W/ LATCH			
SIZE	PART NO.	REV.	
X	DPC-M-SD-CS1	B	
REF:	S00161C	SCALE:	NTS
		SHEET 1 OF 1	