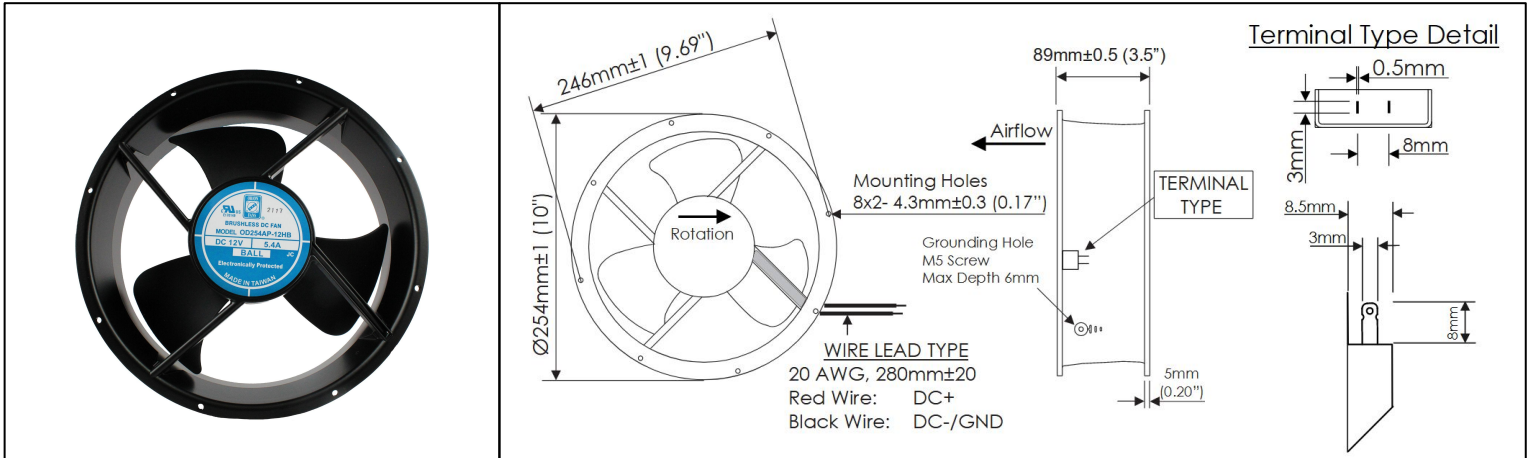


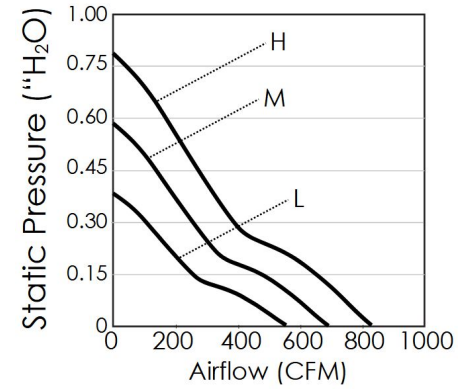
# OD254AP Series



DC Fans - 12, 24, 48V  
254mm x 89mm (10" x 3.5")



<b>Frame</b>	Die Cast Aluminum, Black Finish	<b>Operating Temperature</b> -20°C ~ +65°C  <b>Storage Temperature</b> -20°C ~ +75°C  <b>Life Expectancy</b> 90,000 Hours (L10 at 35°C)  <b>Available Options</b> Tachometer Output Alarm Output PWM Speed Control Input Thermistor Speed Control IP Ratings Zone Ratings  Weight: 4.0 lbs.
<b>Impeller</b>	PBT, UL94 V-0 Plastic	
<b>Connection</b>	2x Lead Wires, UL 1007, 20 AWG, or Terminals	
<b>Motor</b>	Brushless DC, Auto Cutoff, Auto Restart, Polarity Protected, Electronically Protected	
<b>Bearing System</b>	Dual Ball Bearings	
<b>Dielectric Strength</b>	500VDC/min, <1mA	
<b>Insulation Resistance</b>	≥10M Ohm @ 500 VDC	



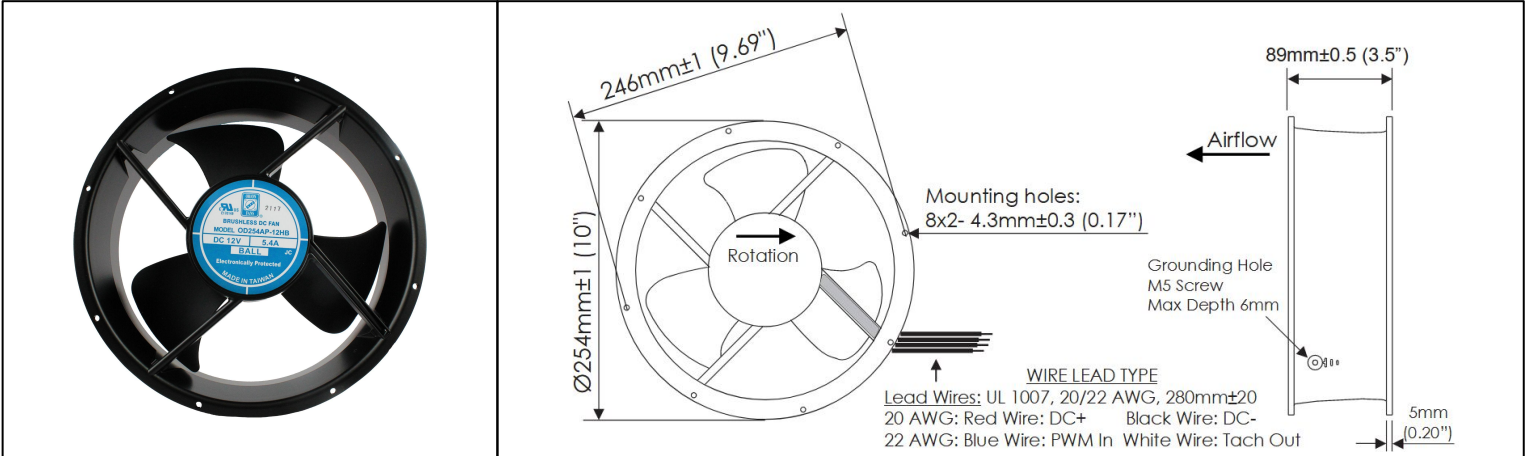
Part Number	Rated Voltage (Volts DC)	Voltage Range (Volts DC)	Input Power (Watts)	Rated Current (Amps)(Max)	Rated Speed (RPM)	Max Airflow (CFM)	Noise Level (dBA)	Max Static Pressure ("H <sub>2</sub> O)
OD254AP-12H*B	12	9 ~ 13.8	65	5.30 (5.4)	2450	830	62.1	0.79
OD254AP-12M*B	12	9 ~ 13.8	38	1.90 (3.1)	2000	690	47.4	0.58
OD254AP-12L*B	12	9 ~ 13.8	18	1.10 (1.5)	1650	550	39.4	0.37
OD254AP-24H*B	24	16 ~ 26	64	2.6 (2.65)	2450	830	62.1	0.79
OD254AP-24M*B	24	16 ~ 26	36	1.30 (1.5)	2000	690	47.4	0.58
OD254AP-24L*B	24	16 ~ 26	29	0.66 (1.2)	1650	550	39.4	0.37
OD254AP-48H*B	48	24 ~ 60	63	1.25 (1.3)	2450	830	62.1	0.79
OD254AP-48M*B	48	24 ~ 60	48	0.54 (1.0)	2000	690	47.4	0.58
OD254AP-48L*B	48	24 ~ 60	34	0.40 (0.7)	1650	550	39.4	0.37

\* Insert letter "T" for Terminal power connection type, leave blank for Wire Lead power connection type

# OD254AP Series with PWM and Tach

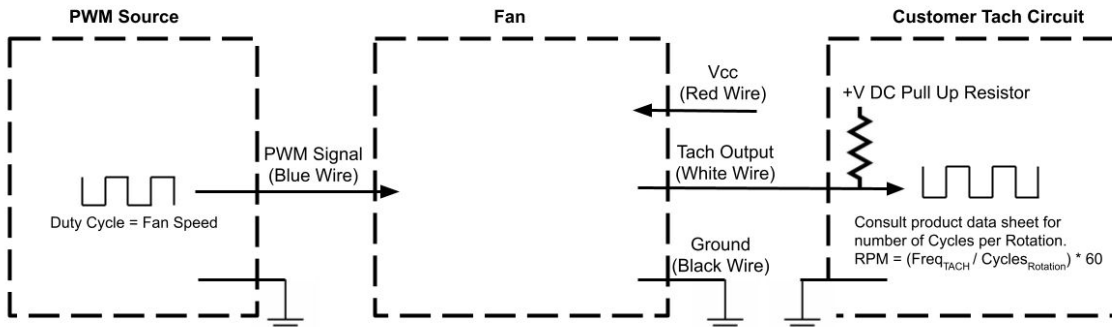


DC Fans - 12, 24, 48V  
254mm x 89mm (10" x 3.5")



<b>Frame</b>	Die Cast Aluminum, Black Finish	<b>Operating Temperature</b> -20°C ~ +65°C <b>Storage Temperature</b> -20°C ~ +75°C <b>Life Expectancy</b> 90,000 Hours (L10 at 35°C) <b>Installed Options</b> PWM Speed Control Input Open Collector Tach Output  <b>Available Options</b> 5V TTL Tach Output IP Ratings  Weight: 4.0 lbs.	
<b>Impeller</b>	PBT, UL94 V-0 Plastic		
<b>Connection</b>	4x Lead Wires, UL 1007, 20/22 AWG		
<b>Motor</b>	Brushless DC, Auto Cutoff, Auto Restart, Polarity Protected, Electronically Protected		
<b>Bearing System</b>	Dual Ball Bearings		
<b>Dielectric Strength</b>	500VDC/min, <1mA		
<b>Insulation Resistance</b>	≥10M Ohm @ 500 VDC		
			<b>Static Pressure ("H<sub>2</sub>O)</b> vs <b>Airflow (CFM)</b> graph showing curves for High (H), Medium (M), and Low (L) speeds.

Part Number	Rated Voltage (Volts DC)	Voltage Range (Volts DC)	Input Power (Watts)	Rated Current (Amps)(Max)	Rated Speed (RPM)	Max Airflow (CFM)	Noise Level (dBA)	Max Static Pressure ("H <sub>2</sub> O)
OD254AP-12HB10A	12	9 ~ 13.8	65	5.30 (5.4)	2450	830	62.1	0.79
OD254AP-12MB10A	12	9 ~ 13.8	38	1.90 (3.1)	2000	690	47.4	0.58
OD254AP-12LB10A	12	9 ~ 13.8	18	1.10 (1.5)	1650	550	39.4	0.37
OD254AP-24HB10A	24	16 ~ 26	64	2.6 (2.65)	2450	830	62.1	0.79
OD254AP-24MB10A	24	16 ~ 26	36	1.30 (1.5)	2000	690	47.4	0.58
OD254AP-24LB10A	24	16 ~ 26	29	0.66 (1.2)	1650	550	39.4	0.37
OD254AP-48HB10A	48	24 ~ 60	63	1.25 (1.3)	2450	830	62.1	0.79
OD254AP-48MB10A	48	24 ~ 60	48	0.54 (1.0)	2000	690	47.4	0.58
OD254AP-48LB10A	48	24 ~ 60	34	0.40 (0.7)	1650	550	39.4	0.37

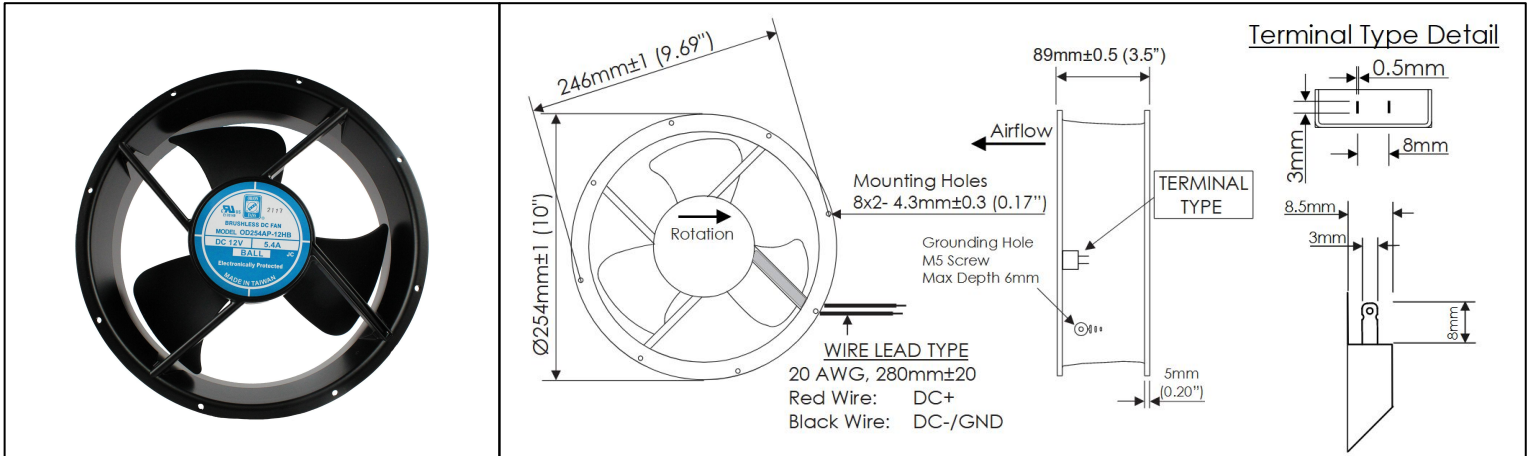


Tach Max Pullup Voltage: Fan Vcc  
 Tach Max Sink Current: 8mA  
 Tach Cycles per Rotation: 2  
 PWM Max High Voltage: 5V  
 PWM Max Sink Current: 5mA  
 PWM Frequency Range: 1KHz-40KHz  
 PWM Typical Frequency: 25KHz  
 RPM at 0% Duty Cycle: 0 RPM  
 RPM will be full speed if PWM input is disconnected.

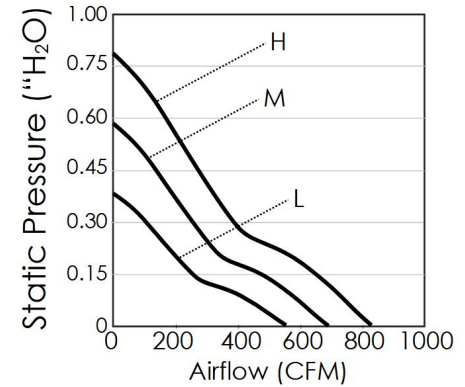
# OD254AP IP Rated Series



DC Fans - 12, 24, 48V  
254mm x 89mm (10" x 3.5")



Frame	Die Cast Aluminum, Black Finish	<b>Operating Temperature</b> -20°C ~ +65°C  <b>Storage Temperature</b> -20°C ~ +75°C  <b>Life Expectancy</b> 90,000 Hours (L10 at 35°C)  <b>Available Options</b> Tachometer Output Alarm Output PWM Speed Control Input Thermistor Speed Control  Weight: 4.0 lbs.
Impeller	PBT, UL94 V-0 Plastic	
Connection	2x Lead Wires, UL 1007, 20 AWG, or Terminals	
Motor	Brushless DC, Auto Cutoff, Auto Restart, Polarity Protected, Electronically Protected, IP68 or 69K	
Bearing System	Dual Ball Bearings	
Dielectric Strength	500VDC/min, <1mA	
Insulation Resistance	≥10M Ohm @ 500 VDC	



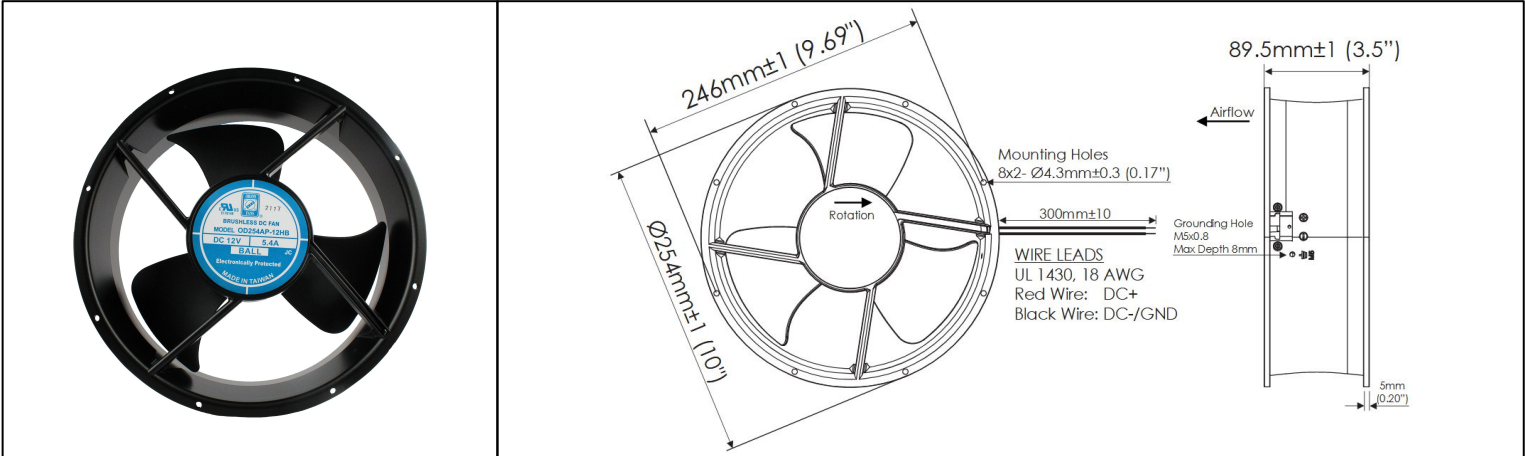
Part Number	Rated Voltage (Volts DC)	Voltage Range (Volts DC)	Input Power (Watts)	Rated Current (Amps)(Max)	Rated Speed (RPM)	Max Airflow (CFM)	Noise Level (dBA)	Max Static Pressure ("H <sub>2</sub> O)
OD254AP-12H*BIPxxx	12	9 ~ 13.8	65	5.30 (5.4)	2450	830	62.1	0.79
OD254AP-12M*BIPxxx	12	9 ~ 13.8	38	1.90 (3.1)	2000	690	47.4	0.58
OD254AP-12L*BIPxxx	12	9 ~ 13.8	18	1.10 (1.5)	1650	550	39.4	0.37
OD254AP-24H*BIPxxx	24	16 ~ 26	64	2.6 (2.65)	2450	830	62.1	0.79
OD254AP-24M*BIPxxx	24	16 ~ 26	36	1.30 (1.5)	2000	690	47.4	0.58
OD254AP-24L*BIPxxx	24	16 ~ 26	29	0.66 (1.2)	1650	550	39.4	0.37
OD254AP-48H*BIPxxx	48	24 ~ 60	63	1.25 (1.3)	2450	830	62.1	0.79
OD254AP-48M*BIPxxx	48	24 ~ 60	48	0.54 (1.0)	2000	690	47.4	0.58
OD254AP-48L*BIPxxx	48	24 ~ 60	34	0.40 (0.7)	1650	550	39.4	0.37

\* Insert letter "T" for Terminal connection type. Terminal connection is not IP Rated.  
 Xxx Insert "68" for IP68 rating, or "69K" for IP69K rating.

# OD254AP UL 60079 Rated Series



DC Fans - 12, 24, 48V  
254mm x 89mm (10" x 3.5")



<b>Frame</b>	Die Cast Aluminum, Black Finish	<b>Operating Temperature</b> -20°C ~ +65°C <b>Storage Temperature</b> -20°C ~ +75°C <b>Life Expectancy</b> 90,000 Hours (L10 at 35°C) <b>Installed Options</b> IP68 Rating UL 60079-0:2019 and UL 60079-7:2017 for Class I, Zone 2, AEx ec IIC Gc <b>Available Options</b> Tachometer Output Alarm Output PWM Speed Control Input Thermistor Speed Control  Weight: 4.0 lbs.	
<b>Impeller</b>	PBT, UL94 V-0 Plastic		
<b>Connection</b>	2x Lead Wires, UL 1430, 18 AWG		
<b>Motor</b>	Brushless DC, Auto Cutoff, Auto Restart, Polarity Protected, Electronically Protected, IP68, Class I, Zone 2, AEx ec IIC Gc		
<b>Bearing System</b>	Dual Ball Bearings		
<b>Dielectric Strength</b>	500VDC/min, <1mA		
<b>Insulation Resistance</b>	≥10M Ohm @ 500 VDC		

Part Number	Rated Voltage (Volts DC)	Voltage Range (Volts DC)	Input Power (Watts)(Max)	Rated Current (Amps)(Max)	Rated Speed (RPM)	Max Airflow (CFM)	Noise Level (dBA)	Max Static Pressure (\"H <sub>2</sub> O)
OD254AP-12HBIP68D	12	9 ~ 13.8	65	5.30 (5.4)	2450	830	62.1	0.79
OD254AP-12MBIP68D	12	9 ~ 13.8	38	1.90 (3.1)	2000	690	47.4	0.58
OD254AP-12LBIP68D	12	9 ~ 13.8	18	1.10 (1.5)	1650	550	39.4	0.37
OD254AP-24HHBIP68D	24	16 ~ 26	101	2.68 (4.2)	3000	1000	75.3	1.05
OD254AP-24HBIP68D	24	16 ~ 26	64	2.48 (2.65)	2450	830	62.1	0.79
OD254AP-24MBIP68D	24	16 ~ 26	36	1.30 (1.5)	2000	690	47.4	0.58
OD254AP-24LBIP68D	24	16 ~ 26	29	0.66 (1.2)	1650	550	39.4	0.37
OD254AP-48HHBIP68D	48	24 ~ 60	96	1.80 (2.0)	3000	1000	75.3	1.05
OD254AP-48HBIP68D	48	24 ~ 60	63	1.25 (1.3)	2450	830	62.1	0.79
OD254AP-48MBIP68D	48	24 ~ 60	48	0.54 (1.0)	2000	690	47.4	0.58
OD254AP-48LBIP68D	48	24 ~ 60	34	0.40 (0.7)	1650	550	39.4	0.37