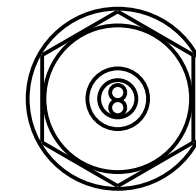
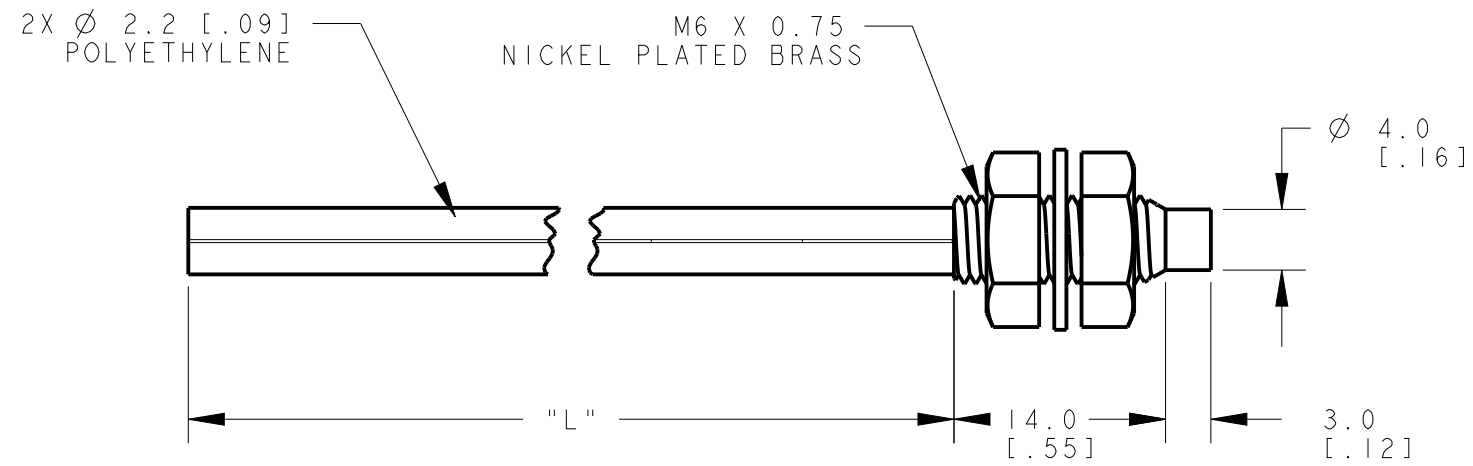
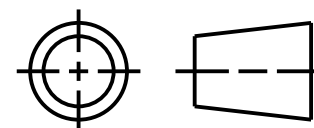



MODEL NO.	"TL"	"L"	P/N
PBT4100U	14.0 [.55]	30480 [1200]	76453
PBT4.5U	14.0 [.55]	152 [6]	48037
PBT450U	14.0 [.55]	15240 [600]	31414
PBT460U	14.0 [.55]	18288 [720]	32928
PBT475U	14.0 [.55]	22860 [900]	28472
PBT430U	14.0 [.55]	9906 [390]	27365
PBT415U	14.0 [.55]	4953 [195]	26564
PBT46U	14.0 [.55]	2000 [79]	25967



This drawing is the property of BANNER ENGINEERING CORP. Any use or reproduction, in any form, without prior written permission of Banner is prohibited. © Banner Engineering Corp.

THIRD ANGLE PROJECTION



 BANNER ENGINEERING CORP. www.bannerengineering.com		TITLE	
		PBT4 SERIES UNTERMINATED	
SIZE B	DRAWING NO. 161864	REV. A	
SCALE 2:1		SHEET 1 OF 1	

NOTES:
 1. ALL DIMENSIONS ARE MILLIMETERS [INCHES] UNLESS OTHERWISE NOTED.
 2. REFER TO "www.bannerengineering.com" FOR ADDITIONAL DATA AND SPECIFICATIONS.