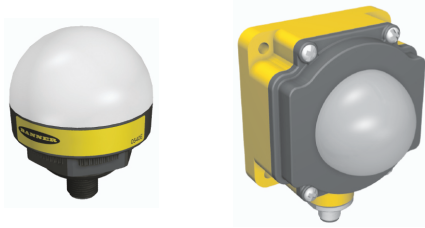


Features

AC-operated, multi-color, general-purpose indicators



- Rugged, cost-effective, and easy-to-install indicators available in K50 or K80 housing style
- Illumination provides easy-to-see operator guidance and equipment status indication
- Compact devices are completely self-contained, no controller needed
- 85 V AC to 130 V AC operation
- Displays 3 colors
- Immune to ambient light, EMI, and RFI interference

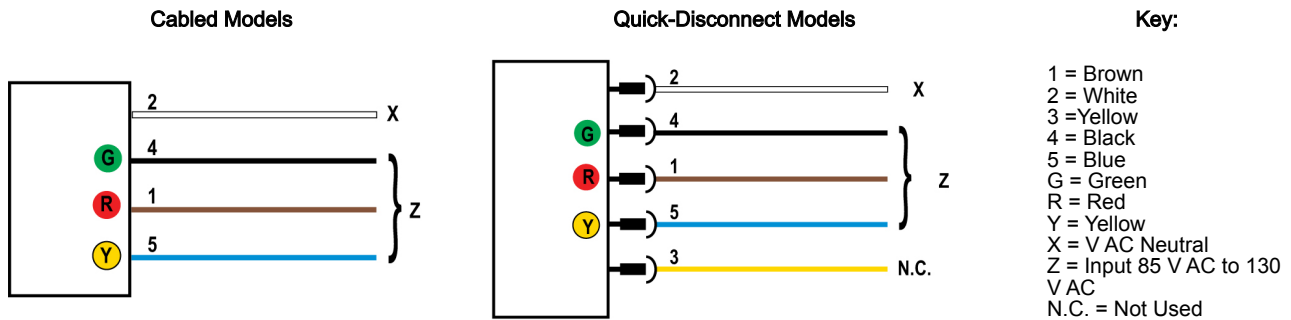


Contact Banner Engineering for more information.

Models

| Model | Construction | Connection ⁽¹⁾ | LED Function ⁽²⁾ | Inputs |
|--------------|--|--|-----------------------------|---------------------|
| K50LGRYA120Q | 50 mm dome/ 30 mm mount polycarbonate | Integral 5-pin 1/2 in. 20UNF male quick-disconnect connector | 3 Color: Green, Red, Yellow | 85 V AC to 130 V AC |
| K80LGRYA120Q | 50 mm dome/Flat or DIN-mount polycarbonate | | | |

Wiring



Specifications

Supply Voltage and Current
85 AC to 130 V AC at 15 mA maximum

Supply Protection Circuitry
Protected against transient voltages

Indicators
LEDs are independently selected: Green, Red, or Yellow.

Input Response Time
Indicator ON/OFF: 1 ms max.

Environmental Rating
Rated IP67. K50L models fully encapsulated; K80L has encapsulated electronics only. K50L quick-disconnect models meet IP69K, per DIN 40050-9; cabled models also meet IP69K if the cable and cable entrance are protected from high-pressure spray.

⁽¹⁾ Integral quick-disconnect (QD) connector models are listed.
 • For 150 mm PVC with QD, replace **Q** with **QP** in model number (example, **K50LGRYA120QP**).
 • For 2 m (6.5 ft) PVC cable, omit suffix **Q** from model number (example, **K50LGRYA120**).
 • A model with a QD requires a mating cable (see)

⁽²⁾ Contact Banner Engineering for other colors and color combinations.



Certifications

K50L and K80L models:



Banner Engineering BV
Park Lane, Culliganlaan 2F bus 3
1831 Diegem, BELGIUM

K50L models only:



Connections

Integral 5-pin 1/2 in. 20UNF male quick-disconnect connector, 150 mm (6 in) PVC-jacketed cable with a 5-pin 1/2 in. 20UNF male quick-disconnect connector (QP), or 2 m (6.5 ft) integral PVC-jacketed cable, depending on model

K80L models: terminal-wired models available for use with bulk cable; compression fitting optional. Contact Banner Engineering for cable information.

Operating Conditions

−40 °C to +50 °C (−40 °F to +122 °F)
90% at +55 °C maximum relative humidity (non-condensing)

Required Overcurrent Protection



WARNING: Electrical connections must be made by qualified personnel in accordance with local and national electrical codes and regulations.

Overcurrent protection is required to be provided by end product application per the supplied table.

Overcurrent protection may be provided with external fusing or via Current Limiting, Class 2 Power Supply.

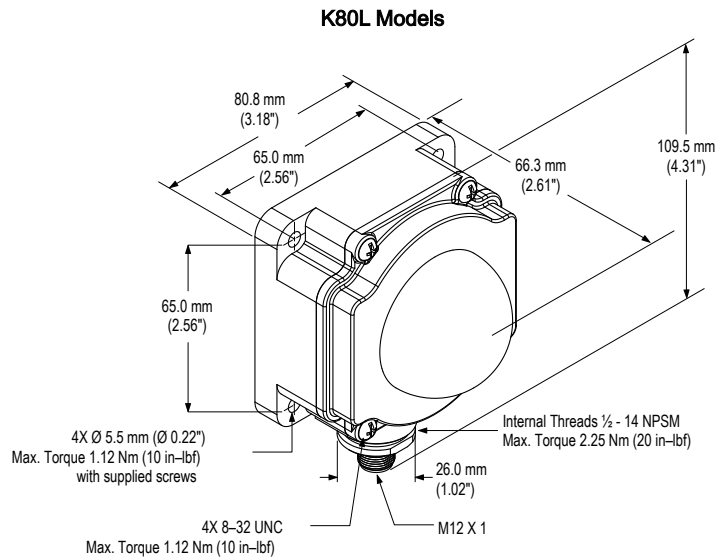
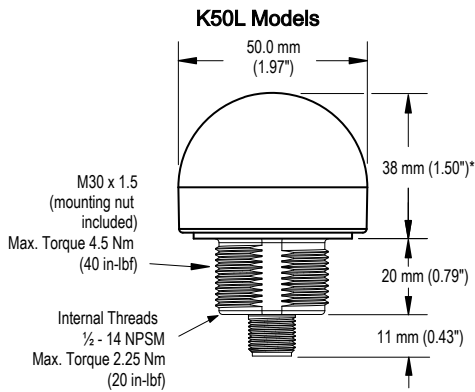
Supply wiring leads < 24 AWG shall not be spliced.

For additional product support, go to www.bannerengineering.com.

| Supply Wiring (AWG) | Required Overcurrent Protection (A) | Supply Wiring (AWG) | Required Overcurrent Protection (A) |
|---------------------|-------------------------------------|---------------------|-------------------------------------|
| 20 | 5.0 | 26 | 1.0 |
| 22 | 3.0 | 28 | 0.8 |
| 24 | 1.0 | 30 | 0.5 |

Dimensions

All measurements are listed in millimeters [inches], unless noted otherwise. The measurements provided are subject to change.



Accessories

Cordsets

| 5-Pin Single-Ended 1/2-In Dual Key Female Shielded Cordsets | | | | |
|---|----------------|-------------|------------|-----------------|
| Model | Length | Style | Dimensions | Pinout (Female) |
| MQVR3S-506 | 2 m (6.56 ft) | Straight | | |
| MQVR3S-515 | 5 m (16.4 ft) | | | |
| MQVR3S-530 | 10 m (32.8 ft) | | | |
| MQVR3S-506RA | 2 m (6.56 ft) | Right Angle | | |
| MQVR3S-515RA | 5 m (16.4 ft) | | | |
| MQVR3S-530RA | 10 m (32.8 ft) | | | |

Brackets

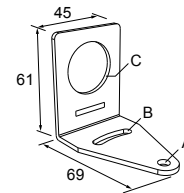
All measurements are listed in millimeters, unless noted otherwise. The measurements provided are subject to change.

SMB30A

- Right-angle bracket with curved slot for versatile orientation
- Clearance for M6 (¼ in) hardware
- Mounting hole for 30 mm sensor
- 12-gauge stainless steel

Hole center spacing: A to B=40

Hole size: A=ø 6.3, B= 27.1 × 6.3, C=ø 30.5

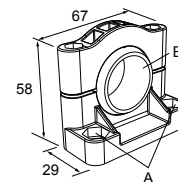


SMB30SC

- Swivel bracket with 30 mm mounting hole for sensor
- Black reinforced thermoplastic polyester
- Stainless steel mounting and swivel locking hardware included

Hole center spacing: A=ø 50.8

Hole size: A=ø 7.0, B=ø 30.0

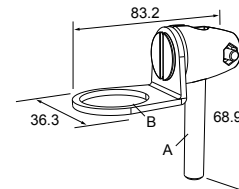


SMB30FA

- Swivel bracket with tilt and pan movement for precise adjustment
- Mounting hole for 30 mm sensor
- 12-gauge 304 stainless steel
- Easy sensor mounting to extrude rail T-slot
- Metric- and inch-size bolt available

Bolt thread: SMB30FA, A= 3/8 - 16 × 2 in; SMB30FAM10, A= M10 - 1.5 × 50

Hole size: B= ø 30.1

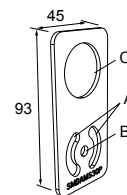


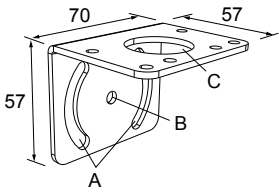
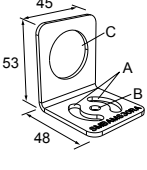
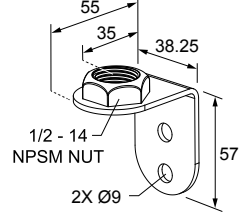
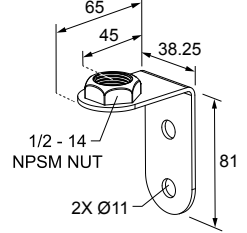
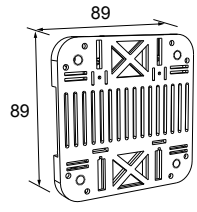
SMBAMS30P

- Flat SMBAMS series bracket
- 30 mm hole for mounting sensors
- Articulation slots for 90°+ rotation
- 12-gauge 300 series stainless steel

Hole center spacing: A=26.0, A to B=13.0

Hole size: A=26.8 × 7.0, B=ø 6.5, C=ø 31.0



| | |
|---|---|
| <p>SMB30MM</p> <ul style="list-style-type: none"> • 12-gauge stainless steel bracket with curved mounting slots for versatile orientation • Clearance for M6 (¼ in) hardware • Mounting hole for 30 mm sensor <p>Hole center spacing: A = 51, A to B = 25.4 Hole size: A = 42.6 × 7, B = ø 6.4, C = ø 30.1</p> |  |
| <p>SMBAMS30RA</p> <ul style="list-style-type: none"> • Right-angle SMBAMS series bracket • 30 mm hole for mounting sensors • Articulation slots for 90°+ rotation • 12-gauge (2.6 mm) cold-rolled steel <p>Hole center spacing: A=26.0, A to B=13.0 Hole size: A=26.8 × 7.0, B=ø 6.5, C=ø 31.0</p> |  |
| <p>LMBE12RA35</p> <ul style="list-style-type: none"> • Direct mounting of stand-off pipe, with common bracket type • Zinc-plated steel • 1/2-14 NPSM nut • Mounting distance from the wall to the center of the 1/2-14 NPSM nut is 35 mm <p>Hole center spacing: 20.0</p> |  |
| <p>LMBE12RA45</p> <ul style="list-style-type: none"> • Direct mounting of stand-off pipe, with common bracket type • Zinc-plated steel • 1/2-14 NPSM nut • Mounting distance from the wall to the center of the 1/2-14 NPSM nut is 45 mm <p>Hole center spacing: 35.0</p> |  |
| <p>For K80L</p> | |
| <p>SMBDX80DIN</p> <ul style="list-style-type: none"> • Black reinforced thermoplastic • Bracket for mounting on a 35 mm DIN rail |  |

Banner Engineering Corp Limited Warranty

Banner Engineering Corp. warrants its products to be free from defects in material and workmanship for one year following the date of shipment. Banner Engineering Corp. will repair or replace, free of charge, any product of its manufacture which, at the time it is returned to the factory, is found to have been defective during the warranty period. This warranty does not cover damage or liability for misuse, abuse, or the improper application or installation of the Banner product.

THIS LIMITED WARRANTY IS EXCLUSIVE AND IN LIEU OF ALL OTHER WARRANTIES WHETHER EXPRESS OR IMPLIED (INCLUDING, WITHOUT LIMITATION, ANY WARRANTY OF MERCHANTABILITY OR FITNESS FOR A PARTICULAR PURPOSE), AND WHETHER ARISING UNDER COURSE OF PERFORMANCE, COURSE OF DEALING OR TRADE USAGE.

This Warranty is exclusive and limited to repair or, at the discretion of Banner Engineering Corp., replacement. **IN NO EVENT SHALL BANNER ENGINEERING CORP. BE LIABLE TO BUYER OR ANY OTHER PERSON OR ENTITY FOR ANY EXTRA COSTS, EXPENSES, LOSSES, LOSS OF PROFITS, OR ANY INCIDENTAL, CONSEQUENTIAL OR SPECIAL DAMAGES RESULTING FROM ANY PRODUCT DEFECT OR FROM THE USE OR INABILITY TO USE THE PRODUCT, WHETHER ARISING IN CONTRACT OR WARRANTY, STATUTE, TORT, STRICT LIABILITY, NEGLIGENCE, OR OTHERWISE.**

Banner Engineering Corp. reserves the right to change, modify or improve the design of the product without assuming any obligations or liabilities relating to any product previously manufactured by Banner Engineering Corp. Any misuse, abuse, or improper application or installation of this product or use of the product for personal protection applications when the product is identified as not intended for such purposes will void the product warranty. Any modifications to this product without prior express approval by Banner Engineering Corp will void the product warranties. All specifications published in this document are subject to change; Banner reserves the right to modify product specifications or update documentation at any time. Specifications and product information in English supersede that which is provided in any other language. For the most recent version of any documentation, refer to: www.bannerengineering.com.

For patent information, see www.bannerengineering.com/patents.