


52103100	<b>DATA SHEET</b>	
Valid from: 20.01.2025	<b>SKINDICHT® BL-M</b>	

SKINDICHT® BL-M blind plugs are used wherever already existing housing holes are not yet required or no longer required. Our blind plug model is equipped with a screwing slit, which makes installation significantly easier. The SKINDICHT® BL-M is qualified for using by machine-, apparatus construction and drives.



**Technical features:**

Material	Brass, nickel-plated Brass lead free, nickel-plated
Connecting thread	M12x1,5 up to M75 x1,5 acc. to EN 60423
Protection class	IP54, acc. to EN 60529 Type 1, acc. to UL50E
Temperature range	-60 °C up to +200 °C


**Approbation:**



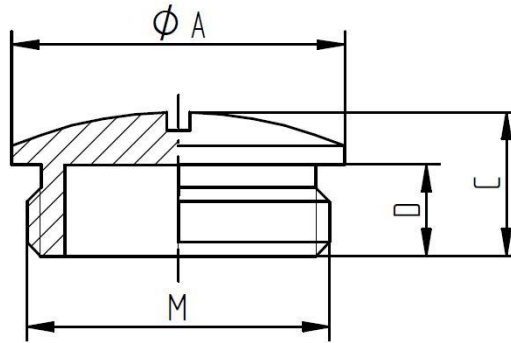
**Norm references:**



Creator: T. Dvoulety/PDP Released: DAMU1/PDP	Document: DB52103100EN Version: 10	Page 1 of 2
---	---------------------------------------	-------------

52103100	<b>DATA SHEET</b>	
Valid from: 20.01.2025	<b>SKINDICHT® BL-M</b>	

**SKINDICHT® BL-M**



M	Ø A [mm]	C [mm]	D [mm]	Article No.	
				Brass	Brass lead free
M12x1,5	14	7,5	5	52103100	52103100LF
M16x1,5	18	8	5	52103110	52103110LF
M20x1,5	22	9,5	6	52103120	52103120LF
M25x1,5	28	11	7	52103130	52103130LF
M32x1,5	35	12	8	52103140	52103140LF
M40x1,5	44	13	9	52103150	52103150LF
M50x1,5	54	15	9	52103160	52103160LF
M63x1,5	70	16	10	52103170	52103170LF
M75x1,5	80	17	11	52103190	52103190LF

For more information, please see our current catalogue. Please do not hesitate to contact our laboratory if there are any questions regarding resistance against aggressive agents and special oil.

Creator: T. Dvoulety/PDP Released: DAMU1/PDP	Document: DB52103100EN Version: 10	Page 2 of 2
---	---------------------------------------	-------------