

## MST 1-PHASE CONTROL AND ISOLATION TRANSFORMER

P: 800VA IN: 208...550VAC OUT: 2x115VAC

Art.No.: 86150

Weight: 13.400 kg

Country of origin: CZ

Model designation: MST 0800-208...550/2x115

Single-phase - Control and Isolation Transformers

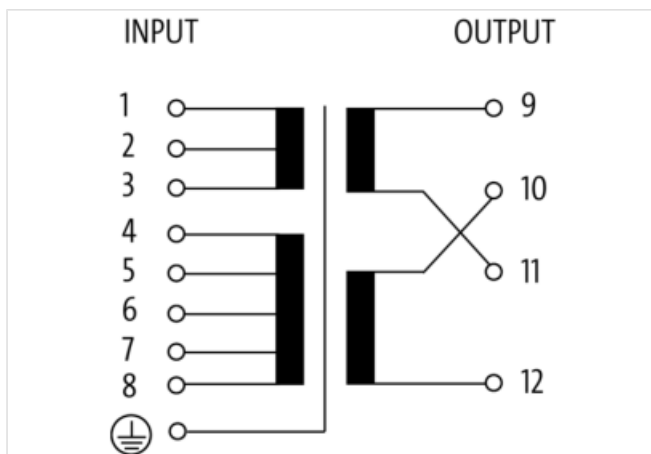
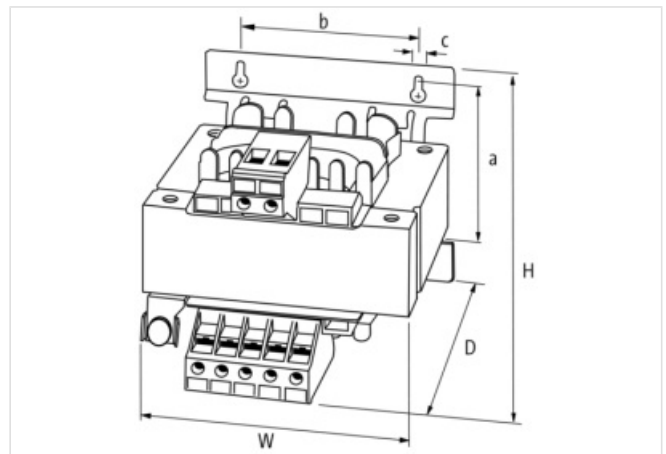
800 VA

Isolation class T 40/B

Other voltages on request.

### [Link to Product](#)

#### Illustration



Product may differ from Image



#### Commercial data

URL Webshop	<a href="https://shop.murrelektronik.com/86150">https://shop.murrelektronik.com/86150</a>
GTIN	4048879078733
Customs tariff number	85043180

ECLASS-6.0	27031302
ECLASS-6.1	27031302
ECLASS-7.0	27031302
ECLASS-7.1	27031302
ECLASS-8.0	27031302
ECLASS-8.1	27031302
ECLASS-9.0	27031302
ECLASS-9.1	27031302
ECLASS-10.0.1	27031302
ECLASS-10.1	27031302
ECLASS-11.0	27031302
ECLASS-11.1	27031302
ECLASS-12.0	27031302
ECLASS-13.0	27031302
ECLASS-14.0	27031302
ETIM-5.0	EC002486
ETIM-6.0	EC002486
ETIM-7.0	EC002486
ETIM-8.0	EC002486
customs tariff number	85043180
EAN	4048879078733
Packaging unit	1

**Electrical data | Supply**

Power frequency	50 ... 60 Hz
-----------------	--------------

**Electrical data | Input**

Input voltage AC	420, 208, 525, 550, 230, 380, 400, 440, 460, 480, 500
Nominal input voltage AC	208 V ... 550 V
Nominal current AC	4.2 A @ 208 V, 1.61 A @ 550 V
Inrush current at input voltage 1	96 A
Inrush current at input voltage 2	36 A
Short-circuit current at input voltage 1	123 A
Short-circuit current at input voltage 2	47 A

**Electrical data | Output**

Output voltage adjustable	Yes
Output voltage	1 × 230 / 1 × 115 / 2 × 115 V AC
Output voltage AC 1	230 V
Output voltage AC 2	115 V
Power rating AC max.	800 VA

**Device protection | Electrical**

Insulation test voltage input - output	4 kV
--	------

**Mechanical data | Mounting data**

Height	156 mm
Width	150 mm
Depth	150 mm
Suitable for mounting type	Keyhole mounting
Mounting dimension a	134 mm
Mounting dimension b	122 mm
Mounting dimension c	7 mm
Diameter bore	7 mm
Length bore	11 mm

**Environmental characteristics | Climatic**

Operating temperature min.	-20 °C
----------------------------	--------

Operating temperature max.	40 °C
Ambient temperature (storage, transport)	-20 °C ... 80 °C

---

#### Conformity

Product standard	EN IEC 61558-1, EN IEC 61558-2-4, IEC 62041 category 0
------------------	--