

MST 1-PHASE CONTROL AND ISOLATION TRANSFORMER

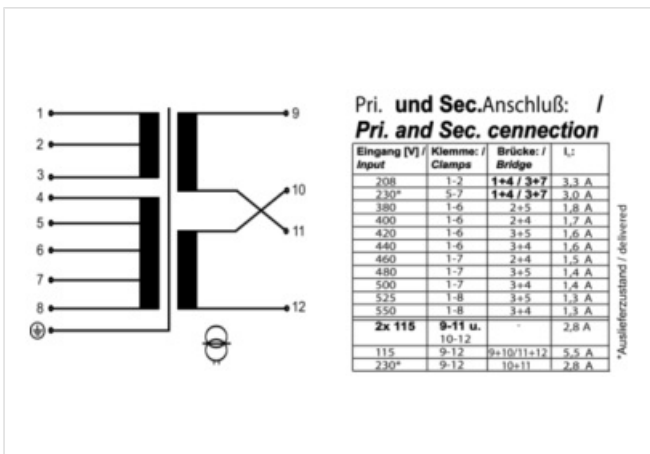
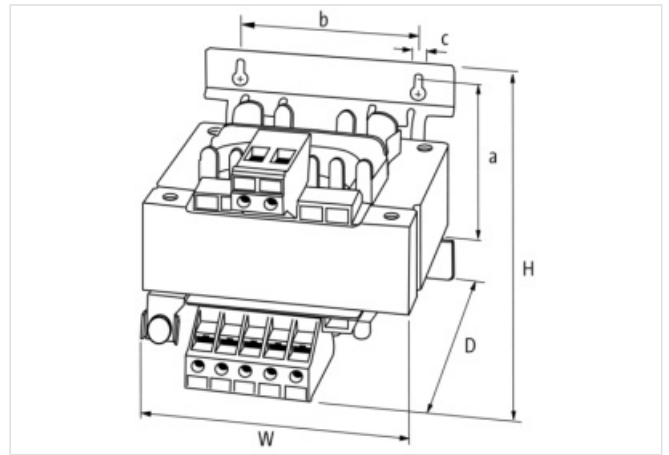
P: 630VA IN: 208...550VAC OUT: 2x115VAC

Art.No.: 86149
 Weight: 9.500 kg
 Country of origin: CZ
 Model designation: MST 0630-208...550/2x115

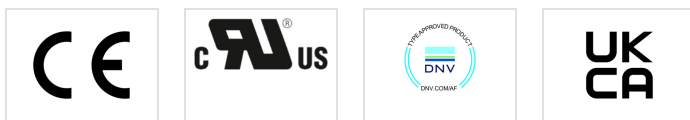
Single-phase - Control and Isolation Transformers
 630 VA
 Isolation class T 40/B
 Other voltages on request.

[Link to Product](#)

Illustration



Product may differ from Image



Commercial data

URL Webshop	https://shop.murrelektronik.com/86149
GTIN	4048879449120
Customs tariff number	85043180

ECLASS-6.0	27031302
ECLASS-6.1	27031302
ECLASS-7.0	27031302
ECLASS-7.1	27031302
ECLASS-8.0	27031302
ECLASS-8.1	27031302
ECLASS-9.0	27031302
ECLASS-9.1	27031302
ECLASS-10.0.1	27031302
ECLASS-10.1	27031302
ECLASS-11.0	27031302
ECLASS-11.1	27031302
ECLASS-12.0	27031302
ECLASS-13.0	27031302
ECLASS-14.0	27031302
ETIM-5.0	EC002486
ETIM-6.0	EC002486
ETIM-7.0	EC002486
ETIM-8.0	EC002486
customs tariff number	85043180
EAN	4048879449120
Packaging unit	1

Electrical data | Supply

Power frequency	50 ... 60 Hz
-----------------	--------------

Electrical data | Input

Input voltage AC	230 V
Input voltage AC	420, 208, 525, 550, 230, 380, 400, 440, 460, 480, 500
Nominal input voltage AC	230 V ... 400 V
Nominal current AC	3 A @ 230 V, 1.5 A @ 400 V
Max. inrush current	12 A
Short-circuit current	15,6 A

Electrical data | Output

Output voltage adjustable	Yes
Output voltage	1 × 230 / 1 × 115 / 2 × 115 V AC
Output voltage AC 1	230 V
Output voltage AC 2	115 V
Power rating AC max.	630 VA

Device protection | Electrical

Insulation test voltage input - output	4 kV
--	------

Mechanical data | Mounting data

Height	129,4 mm
Width	150 mm
Depth	150 mm
Mounting method	geschnappt
Suitable for mounting type	Mounting rail TH35, Long-hole mounting, (EN 60715)
Mounting dimension a	107,5 mm
Mounting dimension b	122 mm
Diameter bore	4,8 mm
Length bore	8,4 mm

Environmental characteristics | Climatic

Operating temperature min.	-20 °C
Operating temperature max.	40 °C

Ambient temperature (storage, transport) -40 °C ... 80 °C

Conformity

Product standard EN IEC 61558-1, EN IEC 61558-2-4, IEC 62041 category 0

Connection type 5

Connection type 1	Input
Connection type 2	Input
Connection type 3	Output
Connection type 4	Output
Family construction form	terminal
No. of poles	8
Gender	female
Connection	Screw terminals SK
PIN 1	1
PIN 2	2
PIN 3	3
PIN 4	4
PIN 5	5
PIN 6	6
PIN 7	7
PIN 8	8
Family construction form	terminal
No. of poles	8
Gender	female
Connection	Plug-in terminals RK
PIN 1	1
PIN 2	2
PIN 3	3
PIN 4	4
PIN 5	5
PIN 6	6
PIN 7	7
PIN 8	8
Family construction form	terminal
No. of poles	4
Gender	female
Connection	Screw terminals SK
PIN 1	9
PIN 2	10
PIN 3	11
PIN 4	12
Family construction form	terminal
No. of poles	4
Gender	female
Connection	Plug-in terminals RK
PIN 1	9
PIN 2	10
PIN 3	11
PIN 4	12
Family construction form	terminal
No. of poles	1
Gender	female
Color contact carrier	metallic
Connection	Screw terminals SK

PIN 1

PE