

MB CAP ULTRA BUFFER MODUL

IN: 20,4-26,4VDC OUT:23VDC/3A for max.1A/21S

Art.No.: 85460

Weight: 0.600 kg

Country of origin: DE

Model designation: MB Cap Ultra 3/24 1A/21S

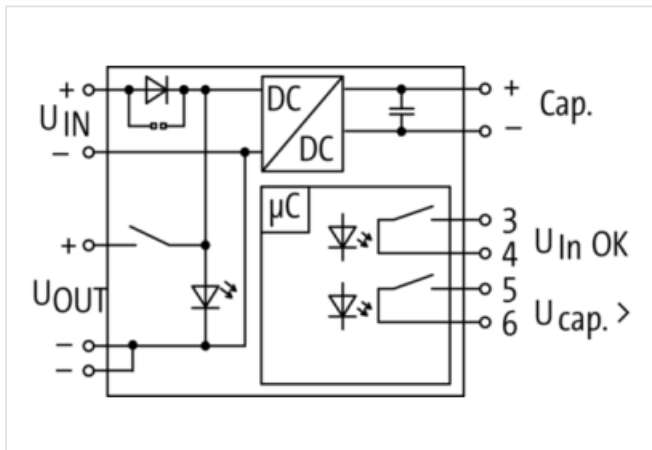
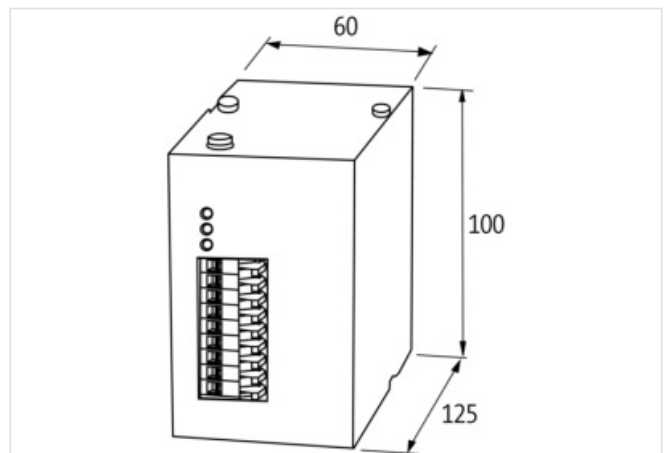
INPUT: 24 V DC (SELV/PELV)

OUTPUT: max. 3 A

7 s (3 A); 21 s (1 A)

Link to Product

Illustration



Product may differ from Image



Commercial data

URL Webshop	https://shop.murrelektronik.com/85460
GTIN	4048879079808
ECLASS-6.0	27049190
ECLASS-6.1	27049002

The information in this Product-PDF has been compiled with the utmost care.

Liability for the correctness completeness and topicality of the information is restricted to gross negligence. Version: 2026-05-15

Murrelektronik Inc. | 1327 Northbrook Parkway, Suite 460 | Suwanee, GA 30024 | Fon +1 770 497-9292 | Fax +1 770 497-9391 | shop@murrinc.com | shop.murrinc.com

ECLASS-7.0	27049002
ECLASS-7.1	27049002
ECLASS-8.0	27049002
ECLASS-8.1	27049002
ECLASS-9.0	27040705
ECLASS-9.1	27040705
ECLASS-10.0.1	27040705
ECLASS-10.1	27040705
ECLASS-11.0	27040705
ECLASS-11.1	27040705
ECLASS-12.0	27040705
ECLASS-13.0	27040705
ECLASS-14.0	27040705
ETIM-5.0	EC002584
ETIM-6.0	EC002584
ETIM-7.0	EC002584
ETIM-8.0	EC002584
customs tariff number	85322900
EAN	4048879079808
Packaging unit	1

Electrical data | Supply

Protective measure	SELV/PELV
--------------------	-----------

Electrical data | Input

Input voltage DC min.	20,4 V
Input voltage DC max.	26,4 V
Current input AC	3 A
Charging time min.	25 s
Efficiency	90 %

Electrical data | Output

Output voltage adjustable	No
Output voltage DC	23 V
Output voltage DC min.	22,54 V
Output voltage DC max.	23,46 V
Output current max.	3 A
Buffer time min.	7 s @ 3 A
Buffer time max.	21 s @ 1 A

Mechanical data | Mounting data

Mounting method	geschnappt
Suitable for mounting type	Mounting rail TH35, (EN 60715)

Environmental characteristics | Electromagnetic compatibility

Immunity standard for industrial environments (IEC 61000-6-2)	compliant
---	-----------

Environmental characteristics | Climatic

Operating temperature min.	-20 °C
Operating temperature max.	60 °C
Ambient temperature (storage, transport)	-20 °C ... 60 °C

Conformity

Product standard	EN/IEC 60950-1, EN/IEC 50178
------------------	------------------------------