

**MB DIODE**

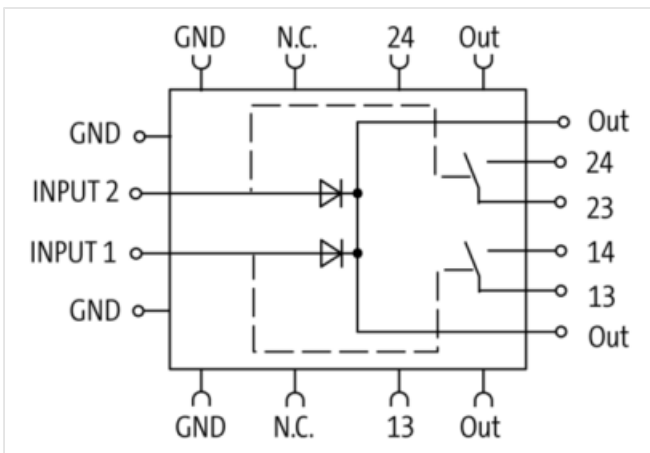
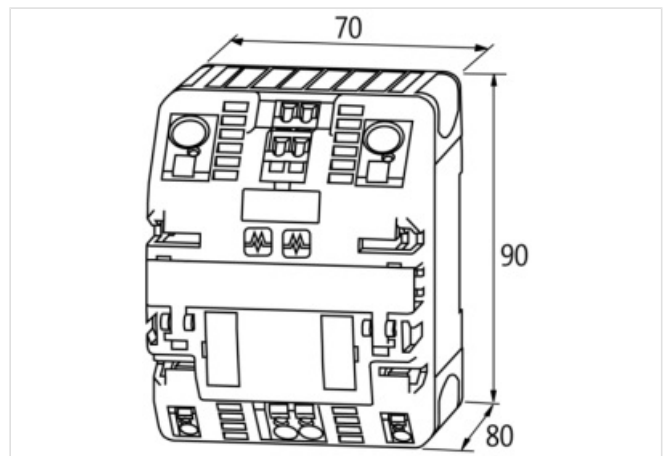
IN: 24VDC/2x20ADC OUT: 24V/20-40ADC

Art.No.: 85396  
 Weight: 0.326 kg  
 Country of origin: CZ  
 Model designation: MB Diode

INPUT: 24 V DC (SELV/PELV)  
 OUTPUT: max. 2x 20/1x 40 A

**Link to Product**

**Illustration**



Product may differ from Image



**Commercial data**

URL Webshop	<a href="https://shop.murrelektronik.com/85396">https://shop.murrelektronik.com/85396</a>
GTIN	4048879079884
Customs tariff number	85411000
ECLASS-6.0	27049002

ECLASS-6.1	27049002
ECLASS-7.0	27049002
ECLASS-7.1	27049002
ECLASS-8.0	27049002
ECLASS-8.1	27049002
ECLASS-9.0	27040701
ECLASS-9.1	27040701
ECLASS-10.0.1	27040701
ECLASS-10.1	27040701
ECLASS-11.0	27040701
ECLASS-11.1	27040701
ECLASS-12.0	27040701
ECLASS-13.0	27040701
ECLASS-14.0	27040701
ETIM-5.0	EC002540
ETIM-6.0	EC002540
ETIM-7.0	EC002540
ETIM-8.0	EC002540
customs tariff number	85411000
EAN	4048879079884
Packaging unit	1

**Electrical data | Supply**

Total current max.	40 A
--------------------	------

**Electrical data | Input**

Input voltage DC	24 V
Input voltage DC min.	21 V
Input voltage DC max.	30 V
Current input AC	40 A
Total current bridge set max.	40 A
Efficiency	97 %

**Electrical data | Output**

Output voltage adjustable	Yes
Output voltage DC	24 V
Output voltage DC min.	21 V
Output voltage DC max.	30 V
Output current	20 A
Output current (UL)	40 A
Overload current	at 20 A +50% for 4 s

**Diagnostics**

Alarm contact	Yes
Alarm contact potential free	Yes
Alarm contact message type	per channel

**Installation | Connection**

Connection	Spring clamp terminals FK
------------	---------------------------

**Device protection | Electrical**

Invers-polarity protection	Yes
----------------------------	-----

**Mechanical data | Mounting data**

Mounting method	geschnappt
Suitable for mounting type	Mounting rail TH35, (EN 60715)

**Environmental characteristics | Electromagnetic compatibility**

Emission standard for equipment in residential environments (IEC 61000-6-3) compliant

Immunity standard for industrial environments (IEC 61000-6-2) compliant

#### Environmental characteristics | Climatic

Operating temperature min.	-25 °C
Operating temperature max.	55 °C
Ambient temperature (storage, transport)	-25 °C ... 85 °C
Relative humidity (operation)	5 % ... 95 %
Additional condition relative humidity	no condensation