

EXACT12, 4XM12, 5-POLE, BASIC HOUSING, W.O. LED'S

Without homerun-cable

Art.No.: 8000-84502-0000000

Weight: 0.078 kg

Country of origin: DE

Model designation: MVP12N-MK4F-XA

4-way, 5-pole

without LED, up to 125 V AC/DC

Screw plug-in terminals

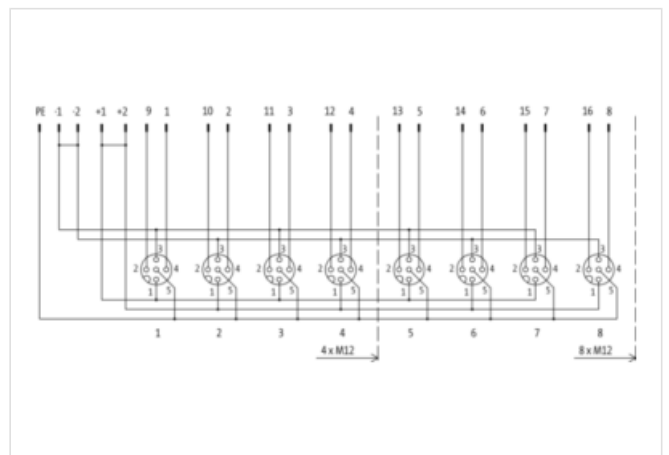
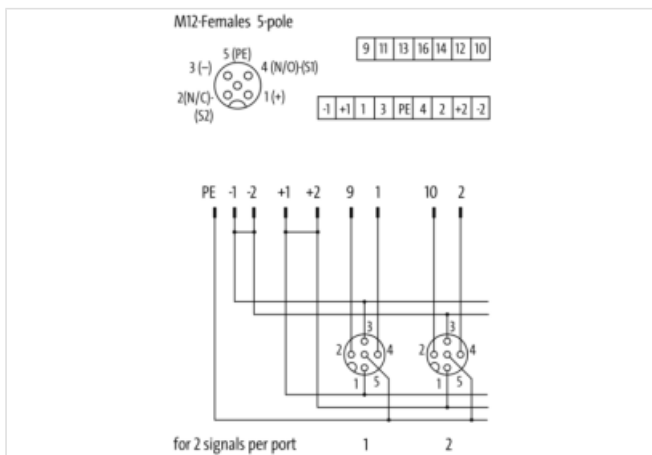
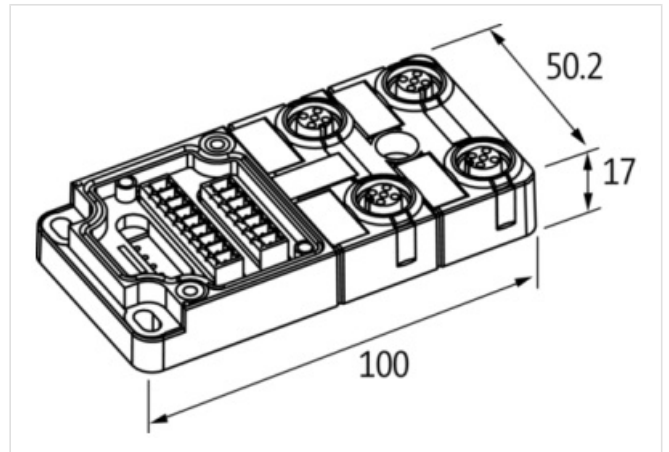
Plastic housings with good resistance against chemicals and oils.

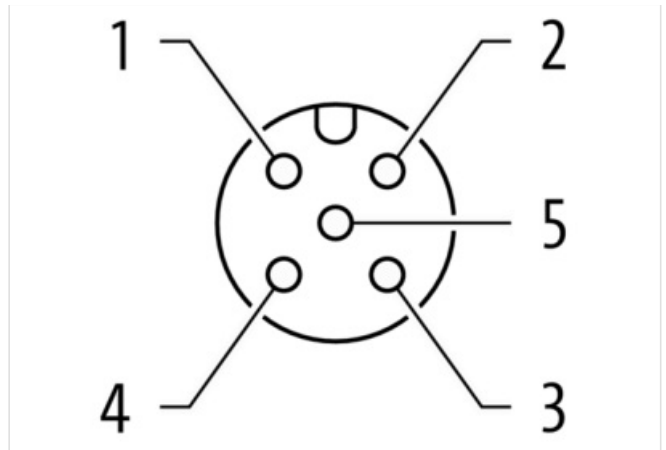
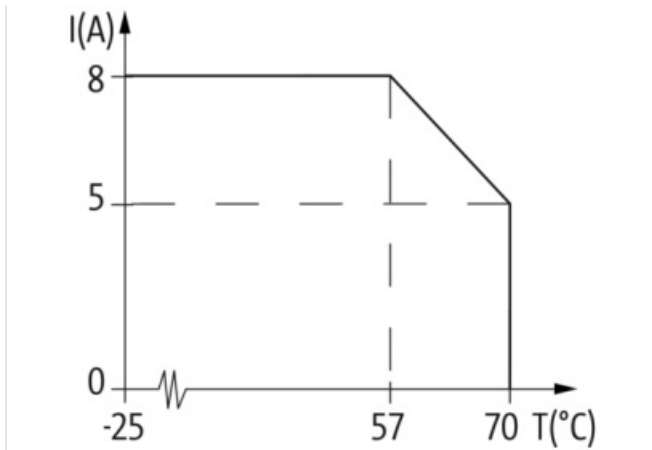
The resistance to aggressive media should be individually tested for your application. Further details on request.

Further cable lengths on request.

[Link to Product](#)

Illustration





Product may differ from Image



Commercial data

URL Webshop	https://shop.murrelektronik.com/8000-84502-0000000
GTIN	4048879055833
Customs tariff number	85366990
ECLASS-6.0	27279219
ECLASS-6.1	27279219
ECLASS-7.0	27279219
ECLASS-7.1	27279219
ECLASS-8.0	27279219
ECLASS-8.1	27279219
ECLASS-9.0	27440111
ECLASS-10.0.1	27440111
ECLASS-10.1	27440111
ECLASS-11.0	27440111
ECLASS-11.1	27440111
ECLASS-12.0	27440111
ECLASS-13.0	27440111
ECLASS-14.0	27440111
ETIM-5.0	EC002585
ETIM-6.0	EC002585
ETIM-7.0	EC002585
ETIM-8.0	EC002585
customs tariff number	85366990
EAN	4048879055833
Packaging unit	1

Electrical data | Supply

Operating voltage AC	125 V
Operating voltage DC	125 V
Current operating per contact max.	4 A
Total current max.	8 A

Device protection | Electrical

Degree of protection (EN IEC 60529)	IP67, IP65
-------------------------------------	------------

Device protection | Media

The information in this Product-PDF has been compiled with the utmost care.

Liability for the correctness completeness and topicality of the information is restricted to gross negligence. Version: 2026-06-14

Flame resistance flame retardant

Mechanical data | Material data

housing Plastic

Environmental characteristics | Climatic

Operating temperature min. -20 °C

Operating temperature max. 70 °C

Connection type 2

Family construction form Cap

No. of poles 16

Family construction form M12

No. of poles 5

Coding A

Gender female

Color contact carrier black

PIN 1 +

PIN 2 NC S 2

PIN 3 -

PIN 4 NO S 1

PIN 5 PE