

EXACT12, 4XM12, 5-POLE, BASIC HOUSING, NPN-LED'S

Without homerun-cable

Art.No.: 8000-84501-0000000

Weight: 0.078 kg

Country of origin: DE

Model designation: MVP12N-MK4F-NP

4-way, 5-pole

Form NPN

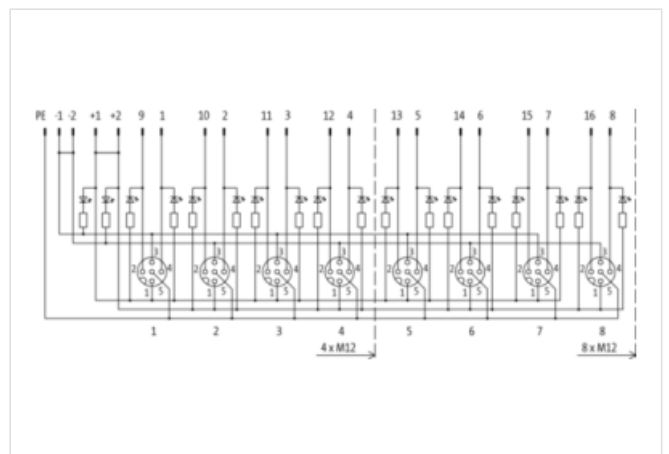
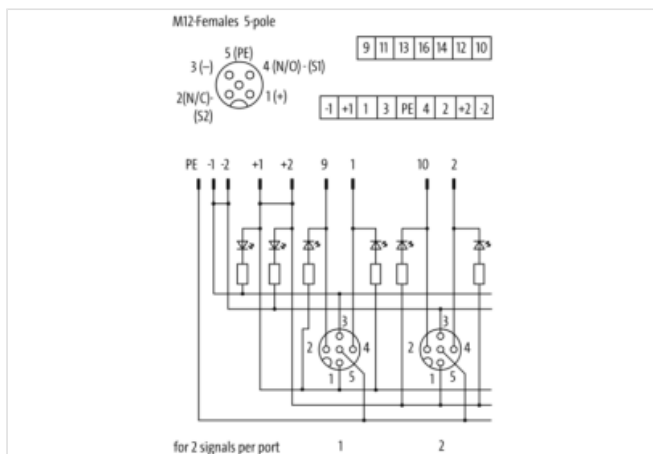
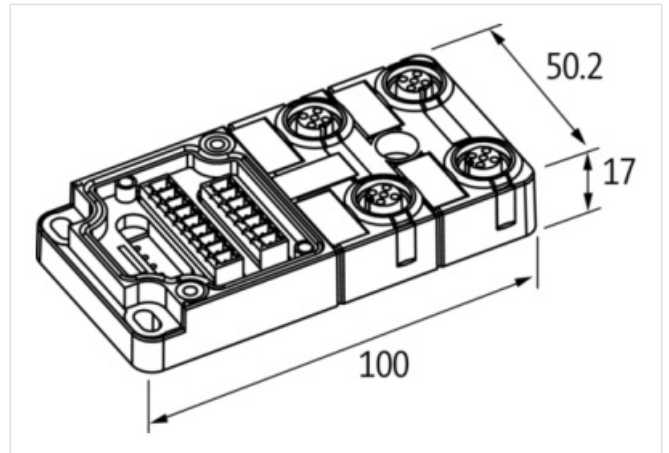
Screw plug-in terminals

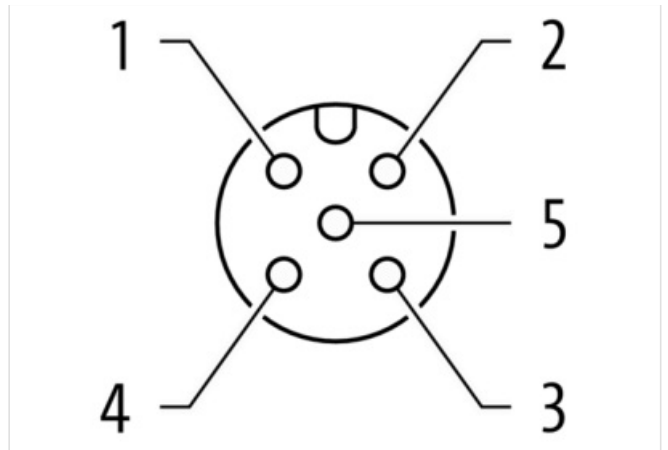
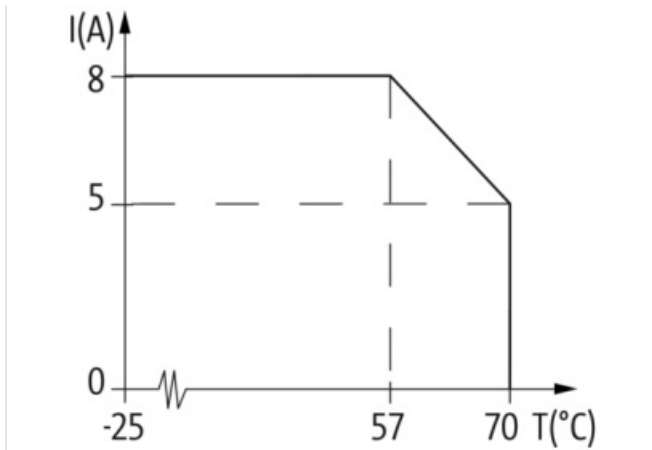
Plastic housings with good resistance against chemicals and oils.

The resistance to aggressive media should be individually tested for your application. Further details on request.

[Link to Product](#)

Illustration





Product may differ from Image



Commercial data

URL Webshop	https://shop.murrelektronik.com/8000-84501-0000000
GTIN	4048879055840
Customs tariff number	85366990
ECLASS-6.0	27279219
ECLASS-6.1	27279219
ECLASS-7.0	27279219
ECLASS-7.1	27279219
ECLASS-8.0	27279219
ECLASS-8.1	27279219
ECLASS-9.0	27440111
ECLASS-10.0.1	27440111
ECLASS-10.1	27440111
ECLASS-11.0	27440111
ECLASS-11.1	27440111
ECLASS-12.0	27440111
ECLASS-13.0	27440111
ECLASS-14.0	27440111
ETIM-5.0	EC002585
ETIM-6.0	EC002585
ETIM-7.0	EC002585
ETIM-8.0	EC002585
customs tariff number	85366990
EAN	4048879055840
Packaging unit	1

Electrical data | Supply

Operating voltage DC	24 V
Current operating per contact max.	4 A
Total current max.	8 A

Device protection | Electrical

Degree of protection (EN IEC 60529)	IP67, IP65
-------------------------------------	------------

Device protection | Media

Flame resistance	flame retardant
------------------	-----------------

Mechanical data | Material data

housing	Plastic
---------	---------

Environmental characteristics | Climatic

Operating temperature min.	-20 °C
----------------------------	--------

Operating temperature max.	70 °C
----------------------------	-------

Connection type 2

Family construction form	Cap
--------------------------	-----

No. of poles	16
--------------	----

Family construction form	M12
--------------------------	-----

No. of poles	5
--------------	---

Coding	A
--------	---

Gender	female
--------	--------

Color contact carrier	black
-----------------------	-------

PIN 1	+
-------	---

PIN 2	NC S 2
-------	--------

PIN 3	-
-------	---

PIN 4	NO S 1
-------	--------

PIN 5	PE
-------	----