

**M12 male 0° / RJ45 male 0° D-cod. shielded**

RADOX EM 104 4xAWG22 shielded bk 1m

Art.No.: 7080-44711-R640100

Weight: 0.103 kg

Country of origin: DE

Model designation: MSRAL0-DA-TR64\_1.0-ZS-S80

Transmission properties with channel transmission up to 100 m

M12 – RJ45, 4-pole

D-coded

Shielded

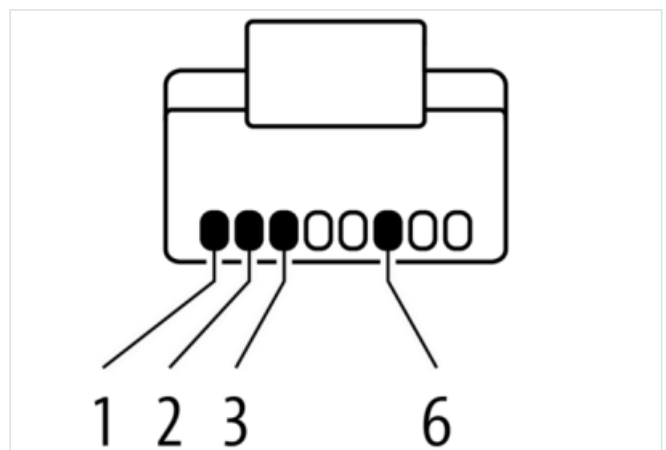
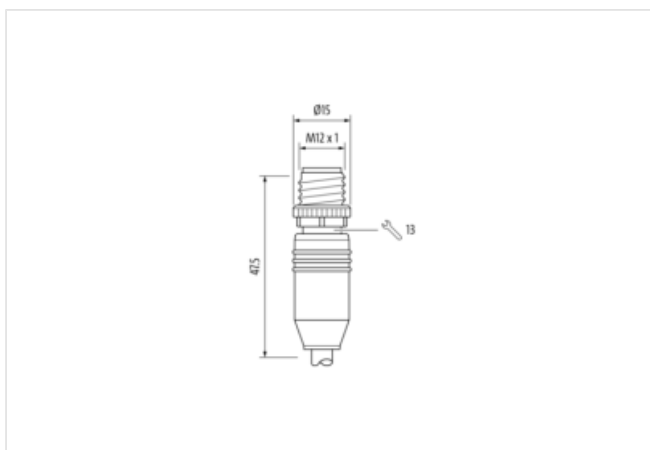
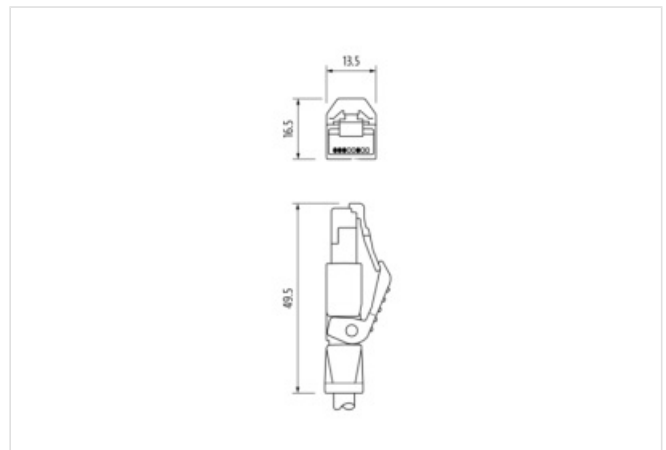
Ethernet CAT5e

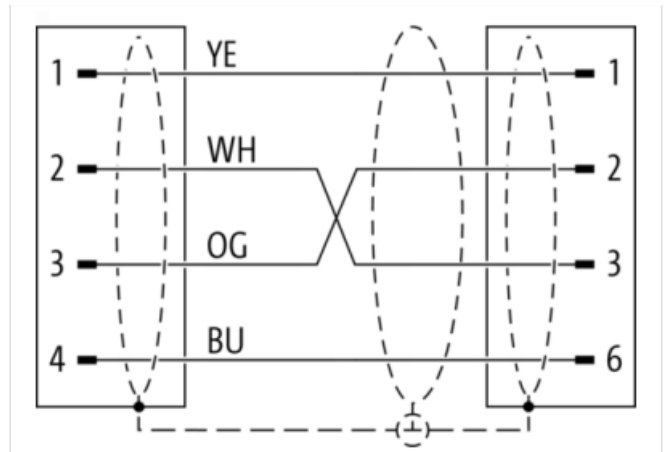
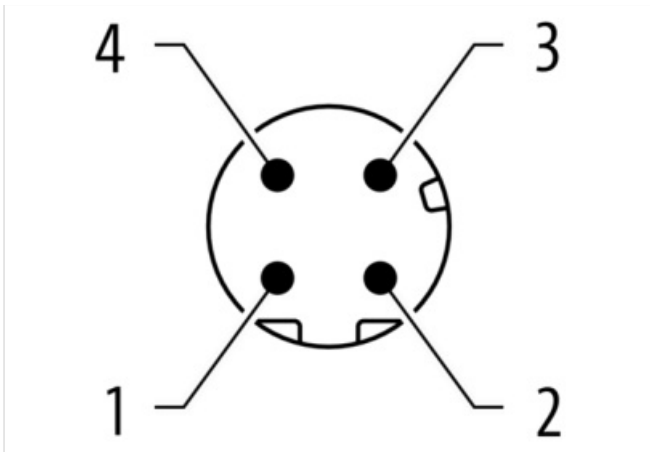
with cable sleeves

Further cable lengths on request.

Plastic housings with good resistance against chemicals and oils.

The resistance to aggressive media should be individually tested for your application. Further details on request.

[Link to Product](#)**Illustration**



Product may differ from image



Cable length 1,00 m

**Side 1**

Family construction form M12

Coding D

Threaded hole M12 x 1

Tightening torque 0,6 Nm

Width across flats SW13

Degree of protection (EN IEC 60529) IP67

**Side 2**

Family construction form RJ45

Degree of protection (EN IEC 60529) IP20

**Commercial data**

URL Webshop <https://shop.murrelektronik.com/7080-44711-R640100>

GTIN 4048879757010

Customs tariff number 85444290

ECLASS-6.0 27061801

ECLASS-6.1 27060307

ECLASS-7.0 27060307

ECLASS-7.1	27060307
ECLASS-8.0	27060307
ECLASS-8.1	27060307
ECLASS-9.0	27060307
ECLASS-9.1	27060307
ECLASS-10.0.1	27060307
ECLASS-10.1	27060307
ECLASS-11.0	27060307
ECLASS-11.1	27060307
ECLASS-12.0	27060307
ECLASS-13.0	27060307
ECLASS-14.0	27060307
ETIM-5.0	EC002599
ETIM-6.0	EC002599
ETIM-7.0	EC002599
ETIM-8.0	EC002599
customs tariff number	85444290
EAN	4048879757010
Packaging unit	1

**Electrical data | Supply**

Operating voltage DC max.	60 V
Current operating per contact max.	1,5 A

**Industrial Communication**

Data transmission rate max.	100 Mbit/s
Transfer parameters	CAT5e, Class D (ISO/IEC 11801:2002), (EN 50173-1)

**Industrial communication | Ethernet functionality**

duplex	Full duplex
--------	-------------

**Device protection | Electrical**

Pollution Degree	3
Rated surge voltage	1 kV
Material group (IEC 60664-1)	I

**Mechanical data**

Contour for corrugated hose	without
-----------------------------	---------

**Mechanical data | Material data**

housing	PUR
Locking material	Zinc die-casting
Coating locking	Nickeled

**Mechanical data | Mounting data**

Mounting method	inserted, screwed, Shaking protection
-----------------	---------------------------------------

**Environmental characteristics | Climatic**

Operating temperature min.	-30 °C
Operating temperature max.	85 °C
Additional condition temperature range	depending on cable quality

**Important installation notes**

Note on bending radius	<b>Attention:</b> Observe the permissible bending radii when laying cables, as the IP protection class can be endangered by excessive bending forces.
Note on strain relief	Protect the connectors by suitable measures from mechanical loads, e.g. by the usage of cable ties.

**Conformity**

Product standard	EN IEC 61076-2-101 (M12)
------------------	--------------------------

**Installation | Cable**

The information in this Product-PDF has been compiled with the utmost care.

Liability for the correctness completeness and topicality of the information is restricted to gross negligence. Version: 2026-05-19

Cable identification	R64
Function cable	Data
Cable weight	70 g/m
Stranding	1 Wires
Cable shielding (type)	copper braid, tinned
Banding	Plastic strip, Foil
Wire arrangement	OG, WH, YE, BU
Shield	shielded
Material wire insulation	Radox Foam
Amount wires	4
Outer diameter insulation	1.55 mm ± 0.05 mm
Conductor crosssection (wire)	22 AWG
Material conductor wire	copper stranded wire, tinned
Core construction (wire)	7
Ingredient freeness wire insulation	lead-free, CFC-free, halogen-free
Material jacket	Radox EM 104
Outer-diameter (jacket)	6.6 mm ± 5 %
Jacket Color	black / RAL 9005
Freedom from ingredients (jacket)	lead-free, CFC-free, halogen-free
Cable shielding (type)	copper braid, tinned
Conductor resistance (wire)	54.4 Ω/km @ 20 °C
Nominal voltage max.	300 V
Withstand voltage (wire - wire)	2 kV @ 300 s
Withstand voltage (wire - jacket)	2 kV @ 300 s
Withstand voltage (wire - shield)	2 kV @ 300 s
Current load capacity max. (wire)	4,8 A
Current load capacity (standard)	to DIN VDE 0298-4
Electrical capacity line constant (wire - wire)	65.000 pF/km
Electrical capacity line constant (wire - shield)	100.000 pF/km
Characteristic impedance	100 Ω @ 5 MHz
Operating temperature (static)	-50 °C ... 90 °C
Operating temperature (dynamic)	-40 °C ... 90 °C
Bending radius (fixed)	6 × Outer diameter
Bending radius (dynamic)	10 × Outer diameter