

**Adaptor M12 female / RJ45 0°**

4-pol., shielded, CAT5

Art.No.: 7000-44671-0000000

Weight: 0.041 kg

Country of origin: CZ

Model designation: M12-RJ45-Ethernet-Adapter ger.4pol

Ethernet CAT5

Control cabinet entry system

Female straight – female straight

M12 – RJ45, 4-pole

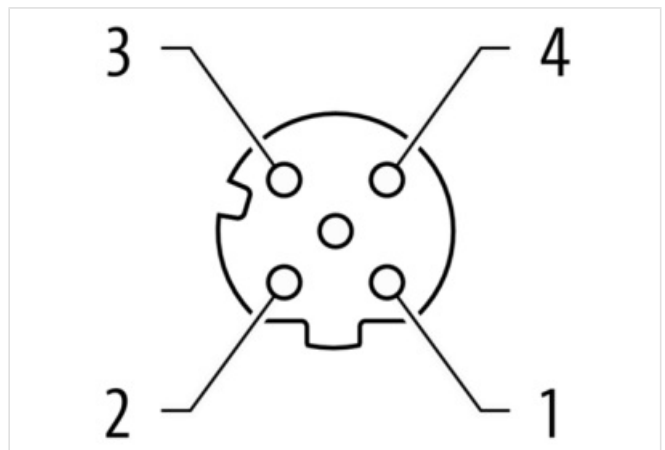
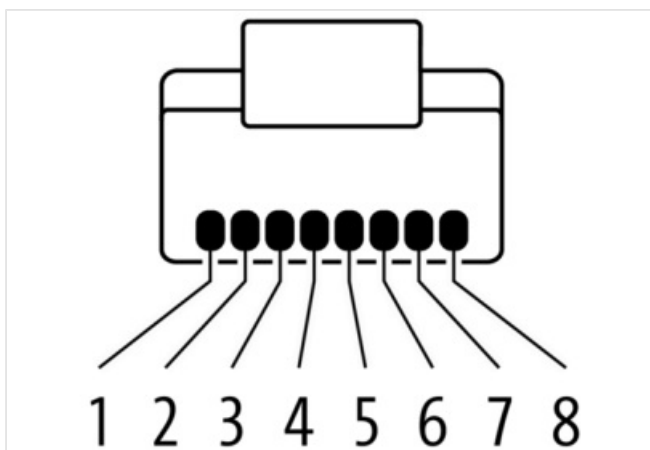
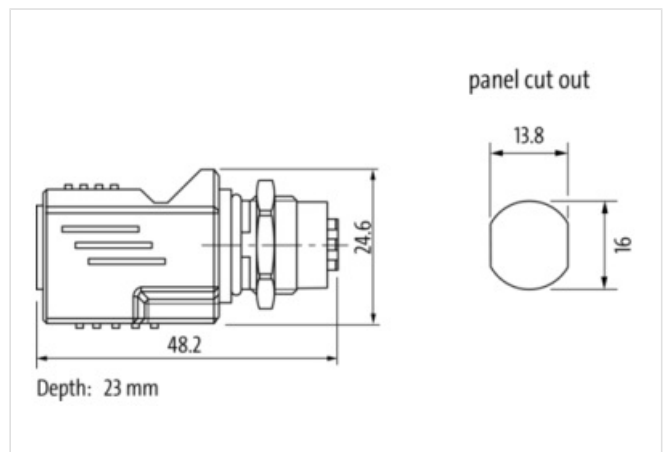
D-coded

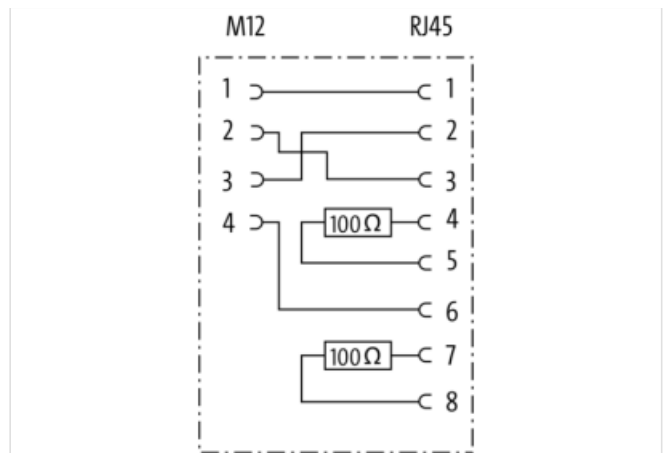
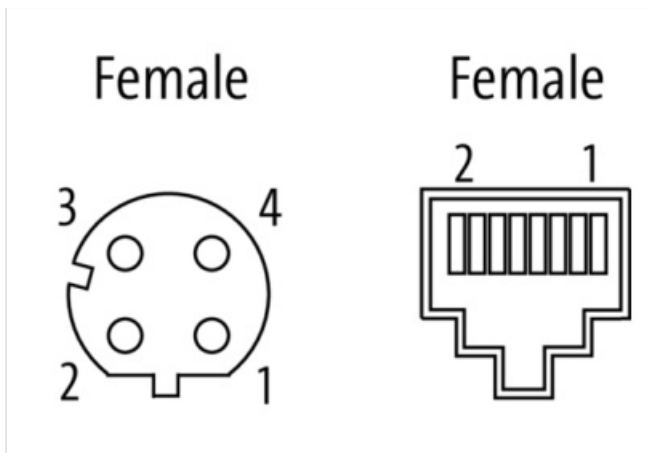
Shielded

suitable for sheet thickness 2.0...5.0 mm

Plastic housings with good resistance against chemicals and oils.

The resistance to aggressive media should be individually tested for your application. Further details on request.

[Link to Product](#)**Illustration**



Product may differ from Image



**Side 1**

Family construction form	M12
No. of poles	4
Coding	D
Gender	female
Mounting method	inserted, screwed
Degree of protection (EN IEC 60529)	IP68

**Side 2**

Family construction form	RJ45
No. of poles	4
Gender	female
Mounting method	pluggable
Degree of protection (EN IEC 60529)	IP20

**Commercial data**

URL Webshop	<a href="https://shop.murrelektronik.com/7000-44671-0000000">https://shop.murrelektronik.com/7000-44671-0000000</a>
GTIN	4048879566896
Customs tariff number	85366990
ECLASS-6.0	27143423
ECLASS-6.1	27279221
ECLASS-7.0	27440104
ECLASS-7.1	27440104
ECLASS-8.0	27440104
ECLASS-8.1	27440104
ECLASS-9.0	27440106
ECLASS-9.1	27440106
ECLASS-10.0.1	27440106
ECLASS-10.1	27440106
ECLASS-11.0	27440106
ECLASS-11.1	27440106
ECLASS-12.0	27440106
ECLASS-13.0	27440106
ECLASS-14.0	27440106
ETIM-5.0	EC001855

ETIM-6.0	EC001855
ETIM-7.0	EC001855
ETIM-8.0	EC001855
customs tariff number	85366990
EAN	4048879566896
Packaging unit	1
<b>Electrical data   Supply</b>	
Operating voltage DC max.	60 V
Current operating per contact max.	1,76 A
<b>Industrial Communication</b>	
Data transmission rate max.	100 Mbit/s
Transfer parameters	CAT5, Class D (ISO/IEC 11801:2002), (EN 50173-1)
<b>Industrial communication   Ethernet functionality</b>	
duplex	Full duplex
<b>Mechanical data   Material data</b>	
housing	PUR
Locking material	Brass
Coating locking	chrome-plated
<b>Mechanical data   Mounting data</b>	
Suitable for installation wall thickness min.	2 mm
Suitable for installation wall thickness max.	5 mm
<b>Environmental characteristics   Climatic</b>	
Operating temperature min.	-25 °C
Operating temperature max.	85 °C
<b>Important installation notes</b>	
Note on bending radius	<b>Attention:</b> Observe the permissible bending radii when laying cables, as the IP protection class can be endangered by excessive bending forces.
Note on strain relief	Protect the connectors by suitable measures from mechanical loads, e.g. by the usage of cable ties.