

M12 female 90° A-cod. screw terminal

5-pol., max. 0,75mm², 6 - 8mm

Art.No.: 7000-13041-0000000

Weight: 0.028 kg

Country of origin: DE

Model designation: MSD-U9

Female 90°

M12, 5-pole

Screw terminals

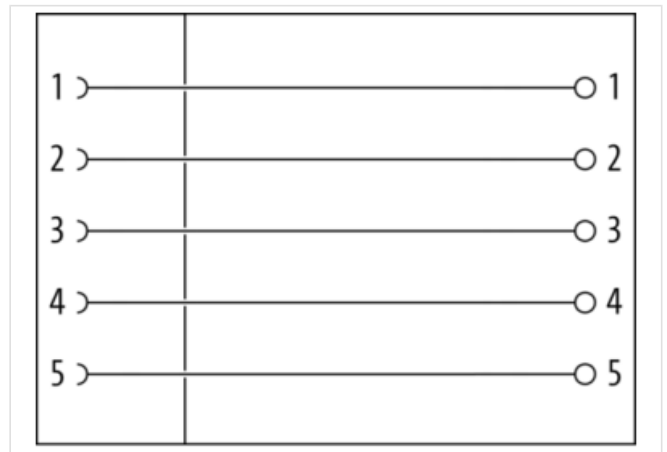
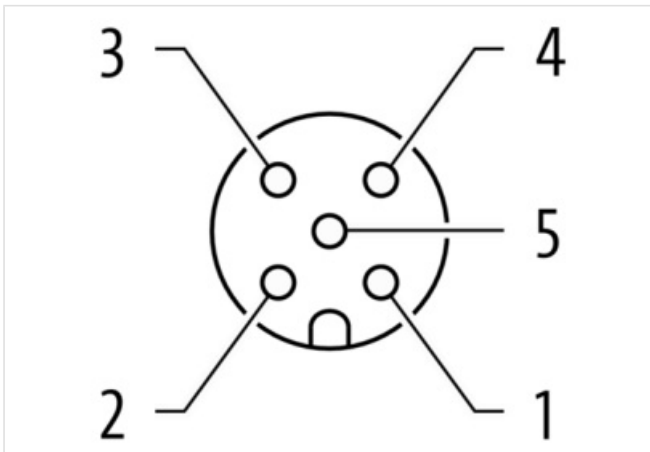
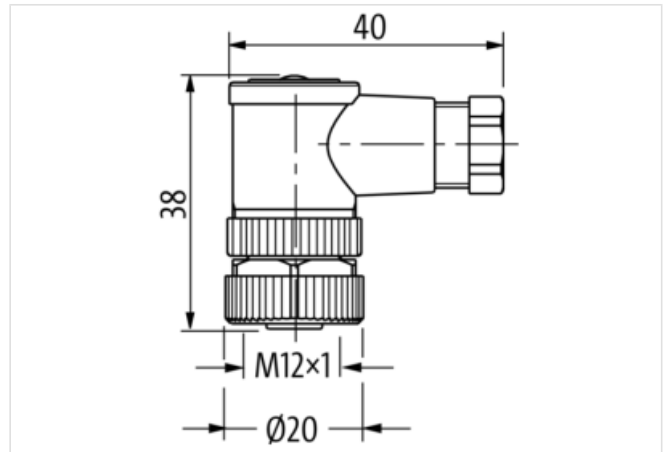
Sealing range (cable Ø): 6...8 mm

Plastic housings with good resistance against chemicals and oils.

The resistance to aggressive media should be individually tested for your application. Further details on request.

[Link to Product](#)

Illustration



Product may differ from Image



Side 1

Family construction form

M12

No. of poles	5
Coding	A
Gender	female
Mounting method	inserted, screwed
Threaded hole	M12 x 1
Tightening torque	0,6 Nm
Width across flats	SW18
Cable outlet	angled
Degree of protection (EN IEC 60529)	IP67

Side 2

Mounting method	Field-wireable
-----------------	----------------

Commercial data

URL Webshop	https://shop.murrelektronik.com/7000-13041-0000000
GTIN	4048879201490
Customs tariff number	85366990
ECLASS-6.0	27279221
ECLASS-6.1	27260702
ECLASS-7.0	27440102
ECLASS-7.1	27440102
ECLASS-8.0	27440102
ECLASS-8.1	27440102
ECLASS-9.0	27440116
ECLASS-9.1	27440106
ECLASS-10.0.1	27440106
ECLASS-10.1	27440102
ECLASS-11.0	27440106
ECLASS-11.1	27440102
ECLASS-12.0	27440116
ECLASS-13.0	27440106
ECLASS-14.0	27440106
ETIM-5.0	EC002635
ETIM-6.0	EC002635
ETIM-7.0	EC002635
ETIM-8.0	EC002635
customs tariff number	85366990
EAN	4048879201490
Packaging unit	1

Electrical data | Supply

Operating voltage AC max.	60 V
Operating voltage DC max.	60 V
Current operating per contact max.	4 A
Operating voltage AC max. (UL-listed)	125 V
Operating voltage DC max. (UL-listed)	125 V
Current operating per contact max. (URc.)	3 A

Diagnostics

Status indication LED	No
-----------------------	----

Installation

Rotation option	90° (4 outlet directions)
Connection cross section max.	0,75 mm ²

Installation | Connection

Tightening torque	0,6 Nm
-------------------	--------

Width across flats SW18

Device protection

Shielded No

Device protection | Electrical

Additional condition protection degree inserted, screwed

Pollution Degree 3

Overvoltage category (EN 60664-1) III

Overvoltage category (EN 60950-1) II

Rated surge voltage 1,5 kV

Material group (IEC 60664-1) III

Mechanical data | Material data

housing PA

Mechanical data | Mounting data

Height 38 mm

Width 40 mm

Depth 20 mm

Mounting method inserted, screwed

Clamping range min. 6 mm

Clamping range max. 8 mm

Environmental characteristics | Climatic

Operating temperature min. -40 °C

Operating temperature max. 85 °C

Important installation notes

Note on bending radius **Attention:** Observe the permissible bending radii when laying cables, as the IP protection class can be endangered by excessive bending forces.

Note on strain relief Protect the connectors by suitable measures from mechanical loads, e.g. by the usage of cable ties.