

M8 male 0° A-cod. IDC3-pol., 0,14 - 0,34mm², 2,5 - 5,1mm

Art.No.: 7000-08331-0000000

Weight: 0.018 kg

Country of origin: DE

Model designation: MSHL0-AC-R MOSA 0,14-0,34qmm

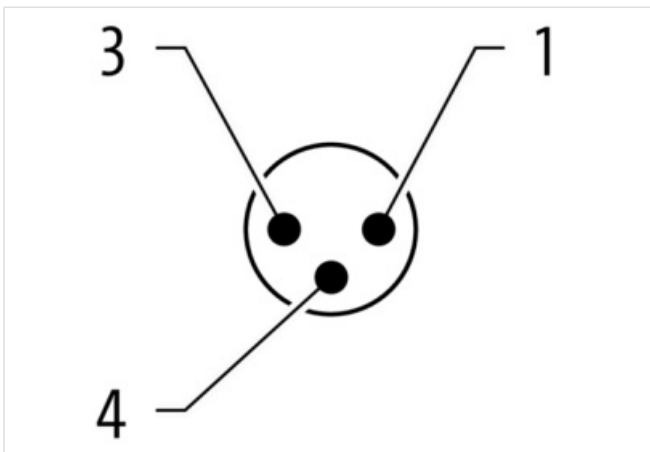
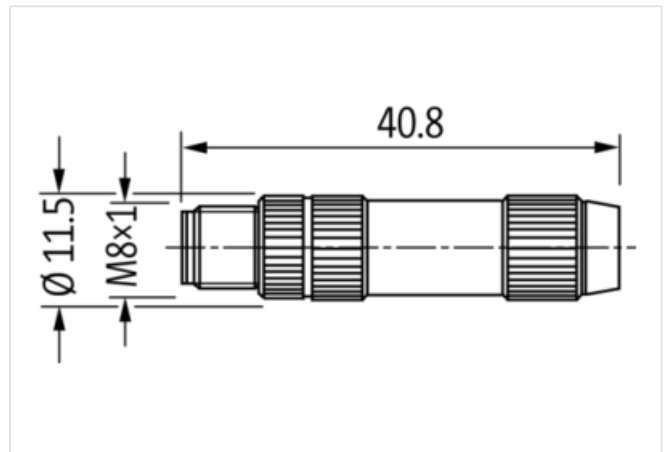
IDC terminals

Male straight

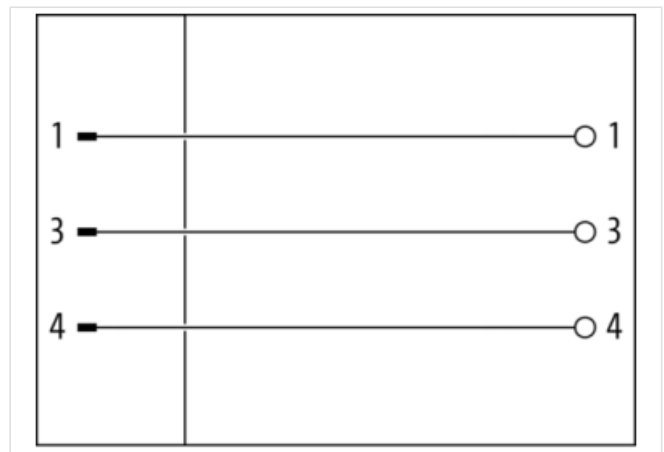
M8, 3-pole

Connection cross section: 0.14...0.34 mm²

Sealing comb included in delivery

[Link to Product](#)**Illustration**

Product may differ from Image

**Side 1**

Family construction form	M8
No. of poles	3

Coding	A
Gender	male
Mounting method	inserted, screwed
Threaded hole	M8 x 1
Tightening torque	0,4 Nm
Width across flats	SW9
Cable outlet	straight
Material	PA
Material contact	Copper alloy
Degree of protection (EN IEC 60529)	IP67

Side 2

Mounting method	Field-wireable
-----------------	----------------

Commercial data

URL Webshop	https://shop.murrelektronik.com/7000-08331-0000000
GTIN	4048879224734
Customs tariff number	85366990
ECLASS-6.0	27279221
ECLASS-6.1	27260702
ECLASS-7.0	27440102
ECLASS-7.1	27440102
ECLASS-8.0	27440102
ECLASS-8.1	27440102
ECLASS-9.0	27440116
ECLASS-9.1	27440106
ECLASS-10.0.1	27440106
ECLASS-10.1	27440102
ECLASS-11.0	27440106
ECLASS-11.1	27440102
ECLASS-12.0	27440116
ECLASS-13.0	27440106
ECLASS-14.0	27440106
ETIM-5.0	EC002635
ETIM-6.0	EC002635
ETIM-7.0	EC002635
ETIM-8.0	EC002635
customs tariff number	85366990
EAN	4048879224734
Packaging unit	1

Electrical data | Supply

Operating voltage AC max.	32 V
Operating voltage DC max.	32 V
Current operating per contact max.	4 A

Installation

Single wire diameter min.	0,1 mm
Connection cross section min.	0,14 mm ²
Connection cross section max.	0,34 mm ²

Installation | Connection

Connection	Cut clamps IDC
Tightening torque	0,4 Nm
Mounting set	M8 x 1
Mating cycles min.	100
Wire insulation diameter min.	1 mm

Wire insulation diameter max.	1,6 mm
-------------------------------	--------

Installation | Pin assignment

Configuration	fully used
---------------	------------

Device protection

Shielded	No
----------	----

Device protection | Electrical

Additional condition protection degree	inserted, screwed
--	-------------------

Pollution Degree	3
------------------	---

Overvoltage category (EN 60950-1)	III
-----------------------------------	-----

Rated surge voltage	0,8 kV
---------------------	--------

Insulation resistance min.	100 mΩ
----------------------------	--------

Material group (IEC 60664-1)	I
------------------------------	---

Mechanical data | Material data

Locking material	Zinc die-casting
------------------	------------------

Coating locking	Nickeled
-----------------	----------

Mechanical data | Mounting data

Height	40,8 mm
--------	---------

Width	11,5 mm
-------	---------

Depth	11,5 mm
-------	---------

Mounting method	inserted, screwed, Shaking protection
-----------------	---------------------------------------

Clamping range min.	2,5 mm
---------------------	--------

Clamping range max.	5,1 mm
---------------------	--------

Environmental characteristics | Climatic

Operating temperature min.	-25 °C
----------------------------	--------

Operating temperature max.	85 °C
----------------------------	-------

Important installation notes

Note on bending radius	Attention: Observe the permissible bending radii when laying cables, as the IP protection class can be endangered by excessive bending forces.
------------------------	---

Note on strain relief	Protect the connectors by suitable measures from mechanical loads, e.g. by the usage of cable ties.
-----------------------	---

Conformity

Product standard	EN/IEC 61076-2-104 (M8)
------------------	-------------------------