

CUBE67+ I/O EXTENSION MODULE

12 multif. channels + 4 IO-Link master V1.1

Art.No.: 56766

Weight: 0.210 kg

Country of origin: CZ

Model designation: Cube67+ DIO12 IOL4 V1.1 E 8xM12

Expansion module

DIO12 IOL4 (E) - 8x M12

IO-Link Master V1.1.2

Digital inputs/outputs (multifunctional)

Compatible with:

56521 PROFIBUS

56526 PROFINET

56535 EtherNet/IP

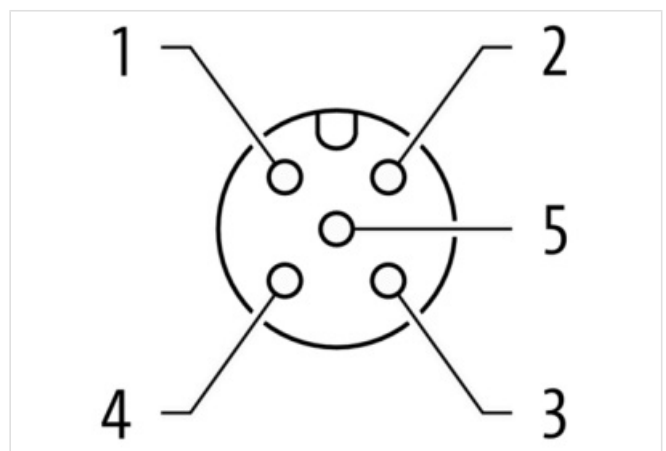
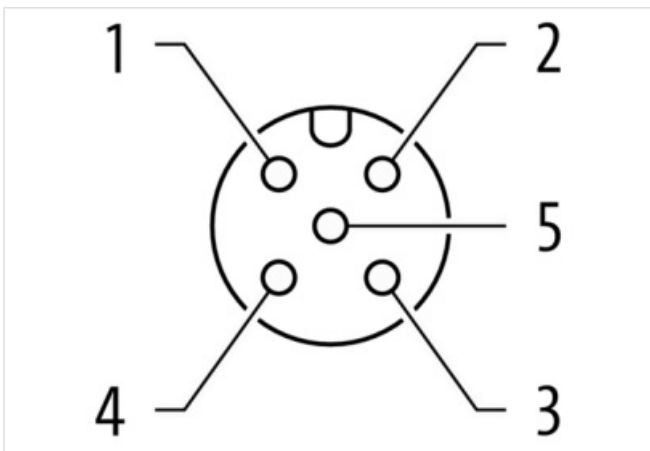
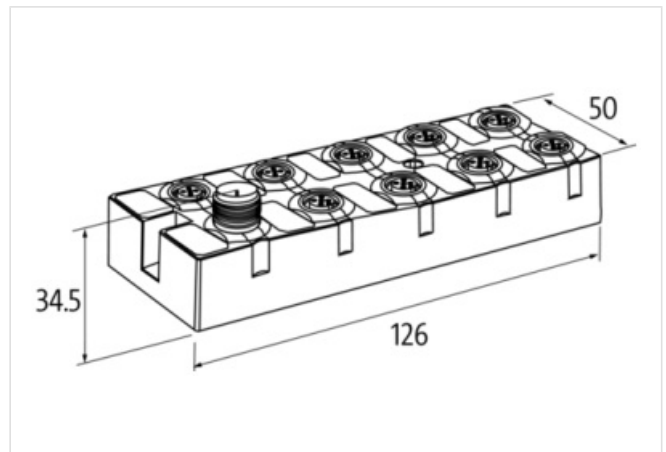
Connection cables are in the online shop under "Connection Technology".

Housing fully potted.

Cube67+ modules can only be operated on Cube67+, EtherNet/IP, PROFIBUS + PROFINET bus nodes.

[Link to Product](#)

Illustration



Product may differ from Image

**Commercial data**

URL Webshop	https://shop.murrelektronik.com/56766
GTIN	4048879581431
Customs tariff number	85389099
Compatible with:	56521; 56526
ECLASS-6.0	27242604
ECLASS-6.1	27242604
ECLASS-7.0	27242604
ECLASS-7.1	27242604
ECLASS-8.0	27242604
ECLASS-8.1	27242604
ECLASS-9.0	27242604
ECLASS-9.1	27242604
ECLASS-10.0.1	27242604
ECLASS-10.1	27242604
ECLASS-11.0	27242604
ECLASS-11.1	27242604
ECLASS-12.0	27242604
ECLASS-13.0	27242604
ECLASS-14.0	27242604
ETIM-5.0	EC001597
ETIM-6.0	EC001597
ETIM-7.0	EC001597
ETIM-8.0	EC001597
customs tariff number	85389099
EAN	4048879581431
Packaging unit	1

Electrical data | Supply

Norm operating voltage	IEC/EN 61131-2
Operating voltage US DC	24 V
Total current US max.	4 A
Operating voltage UA DC	24 V
Total current UA max.	4 A
Current consumption max.	100 mA

Electrical data | Input

Sensor current US per input max.	0,2 A
Sensor current US per IO-Link port max.	0,7 A
filter time	1 ms
Type input	for 3-wire sensors or mechanical switches, PNP

Electrical data | Output

Output current per pin max.	1,6 A
Overload resistant	Yes
Short-circuit protected	Yes
Lamp load	30 W

Industrial communication | IO-Link

type	4x Master
Port Class	A, B

revision ID	V1.1.2
transmission rate	COM1, COM2, COM3
process data length input	32 bytes
process data length output	32 bytes
Automatic baudrate detection	Yes
Diagnostics	
Actuator warning	per channel via LED and BUS
Short circuit diagnosis	Yes
Overload diagnosis	Yes
Diagnostic via BUS	per module and channel
Diagnostic via LED	per module and channel
LED display	Ethernet connection/data traffic
IO-Link events	Undervoltage supply, No voltage
Device protection Electrical	
Degree of protection (EN IEC 60529)	IP67
Mechanical data Mounting data	
Height	126 mm
Width	30 mm
Depth	34,5 mm
Suitable for mounting type	2-hole screw mounting
Environmental characteristics Climatic	
Operating temperature min.	0 °C
Operating temperature max.	55 °C
Ambient temperature (storage, transport)	-20 °C ... 75 °C
Connection types	
Connection type 1	Bus In
Connection type 2	Bus Out
Connection type 3	DIO
Connection type 4	DIO / IO-Link