

## CUBE67+ I/O EXTENSION MODULE

12 multif. channels + 4 IO-Link master V1.0

Art.No.: 56765

Weight: 0.210 kg

Country of origin: CZ

Model designation: Cube67+ DIO12 IOL4 E 8xM12

Expansion module

DIO12 IOL4 (E) - 8x M12

IO-Link Master V1.0

Digital inputs/outputs (multifunctional)

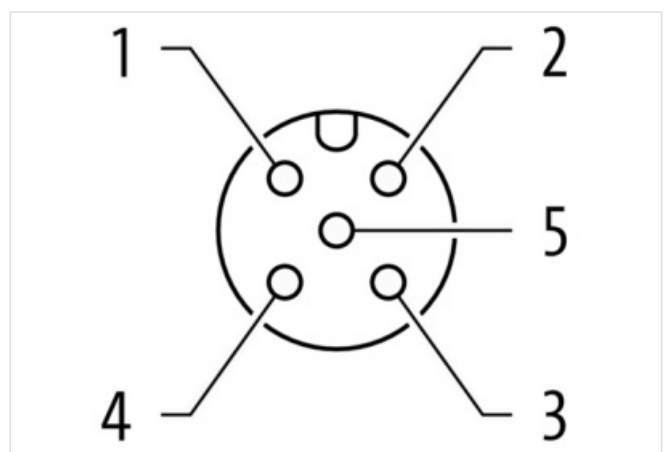
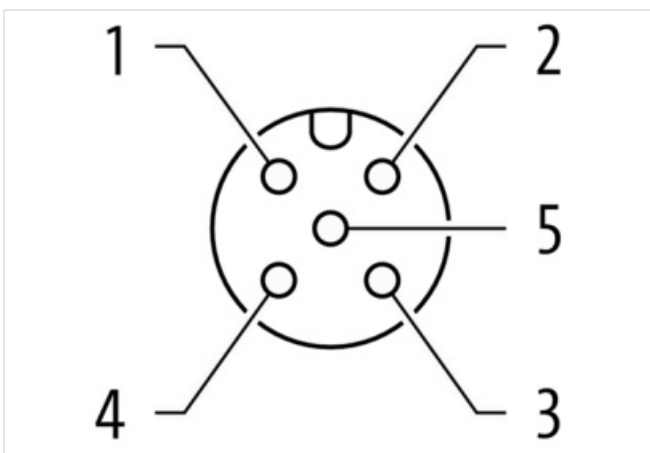
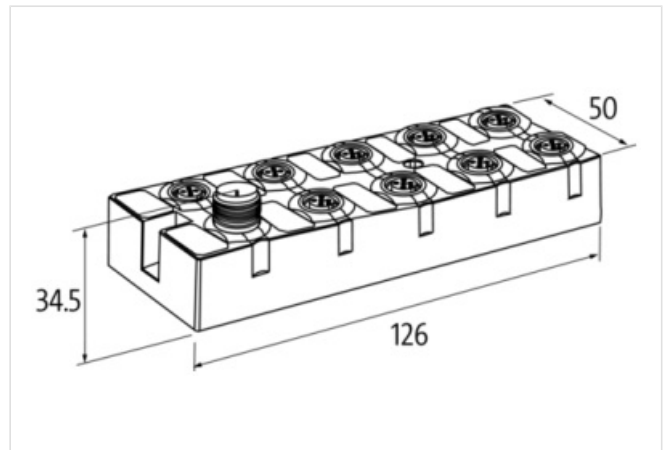
Connection cables are in the online shop under "Connection Technology".

Housing fully potted.

Cube67+ modules can only be operated on Cube67+, EtherNet/IP, PROFIBUS + PROFINET bus nodes.

### [Link to Product](#)

#### Illustration



Product may differ from Image



#### Commercial data

URL Webshop	<a href="https://shop.murrelektronik.com/56765">https://shop.murrelektronik.com/56765</a>
GTIN	4048879326766
Customs tariff number	85389099
Compatible with:	56521; 56526
ECLASS-6.0	27242604
ECLASS-6.1	27242604
ECLASS-7.0	27242604
ECLASS-7.1	27242604
ECLASS-8.0	27242604
ECLASS-8.1	27242604
ECLASS-9.0	27242604
ECLASS-9.1	27242604
ECLASS-10.0.1	27242604
ECLASS-10.1	27242604
ECLASS-11.0	27242604
ECLASS-11.1	27242604
ECLASS-12.0	27242604
ECLASS-13.0	27242604
ECLASS-14.0	27242604
ETIM-5.0	EC001601
ETIM-6.0	EC001601
ETIM-7.0	EC001601
ETIM-8.0	EC001601
customs tariff number	85389099
EAN	4048879326766
Packaging unit	1

**Electrical data | Supply**

Norm operating voltage	IEC/EN 61131-2
Operating voltage US DC	24 V
Total current US max.	4 A
Operating voltage UA DC	24 V
Total current UA max.	4 A
Current consumption max.	100 mA

**Electrical data | Input**

Sensor current US per input max.	0,2 A
Sensor current US per IO-Link port max.	0,7 A
filter time	1 ms
Type input	for 3-wire sensors or mechanical switches, PNP

**Electrical data | Output**

Output current per pin max.	1,6 A
Overload resistant	Yes
Short-circuit protected	Yes
Lamp load	30 W

**Industrial communication | IO-Link**

type	4x Master
Port Class	A, B
revision ID	V1.0
transmission rate	COM1, COM2, COM3
process data length input	32 bytes
process data length output	32 bytes
Automatic baudrate detection	automatic

**Diagnostics**

The information in this Product-PDF has been compiled with the utmost care.

Liability for the correctness completeness and topicality of the information is restricted to gross negligence. Version: 2026-06-19

Actuator warning	per channel via LED and BUS
Short circuit diagnosis	Yes
Overload diagnosis	Yes
Diagnostic via BUS	per module and channel
Diagnostic via LED	per module and channel
LED display	Ethernet connection/data traffic
IO-Link events	Undervoltage supply, No voltage

#### Device protection | Electrical

Degree of protection (EN IEC 60529)	IP67
-------------------------------------	------

#### Mechanical data | Mounting data

Height	126 mm
Width	30 mm
Depth	34,5 mm
Suitable for mounting type	2-hole screw mounting

#### Environmental characteristics | Climatic

Operating temperature min.	0 °C
Operating temperature max.	55 °C
Ambient temperature (storage, transport)	-20 °C ... 75 °C

#### Connection type 4

Connection type 1	Bus In
Connection type 2	Bus Out
Connection type 3	DIO
Connection type 4	DIO / IO-Link
Family construction form	M12
No. of poles	6
Coding	A
Gender	male
Color contact carrier	black
PIN 1	24 V DC (UA)
PIN 2	24 V DC (US)
PIN 3	0 V
PIN 4	Bus internal
PIN 5	Bus internal
PIN 6	0 V
Family construction form	M12
No. of poles	6
Coding	A
Gender	female
Color contact carrier	black
PIN 1	24 V DC (UA)
PIN 2	24 V DC (US)
PIN 3	0 V
PIN 4	Bus internal
PIN 5	Bus internal
PIN 6	0 V
Family construction form	M12
No. of poles	5
Coding	A
Gender	female
Color contact carrier	black
PIN 1	24 V DC (US)
PIN 2	DI / DO / Diag
PIN 3	0 V

PIN 4	DI / DO
PIN 5	PE
Family construction form	M12
No. of poles	5
Coding	A
Gender	female
Color contact carrier	black
PIN 1	24 V DC (US)
PIN 2	DI / DO / Diag
PIN 3	0 V
PIN 4	IO-Link
PIN 5	0 V