

CUBE67 I/O EXTENSION MODULE

4 multifunction channels, 1 RS485 Port

Art.No.: 56760

Weight: 0.120 kg

Country of origin: CZ

Model designation: Cube67 DIO4 RS485 E 3xM12

Expansion module

DIO4 RS485 (E) - 3x M12

Digital inputs/outputs (multifunctional)

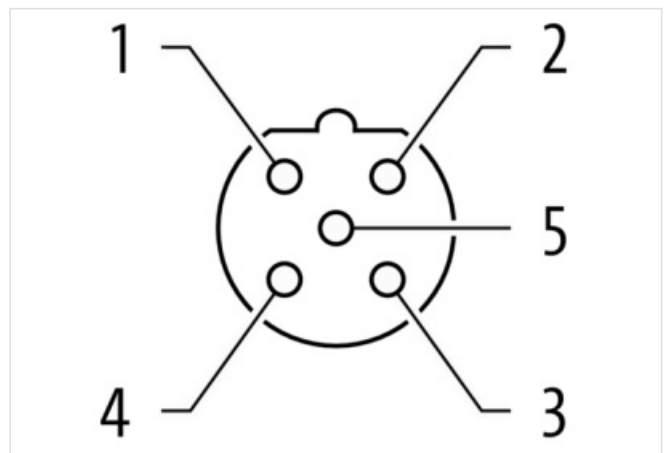
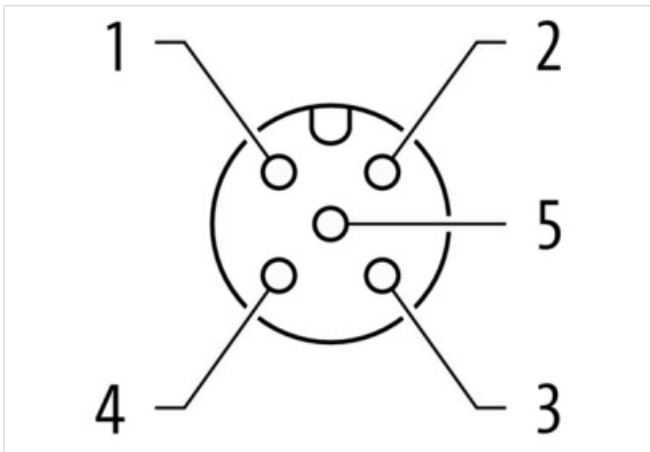
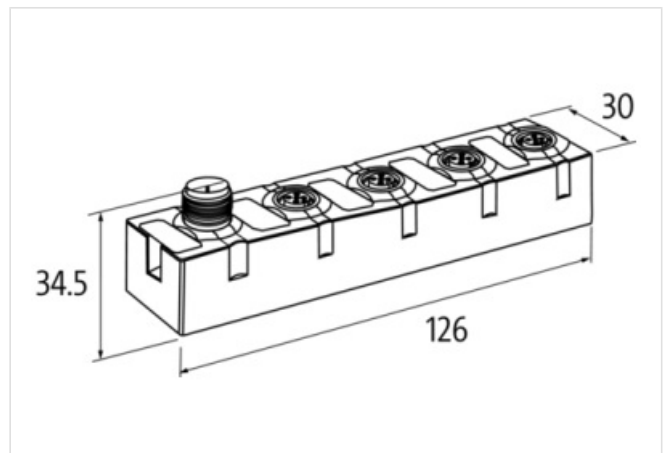
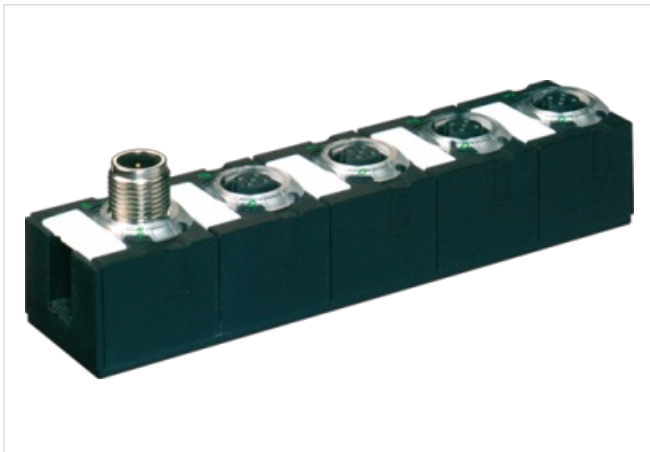
Connection cables are in the online shop under "Connection Technology".

Housing fully potted.

S7 function block for SEW MOVIMOT® via www.murrelektronik.com

[Link to Product](#)

Illustration



Product may differ from Image



Commercial data

URL Webshop

<https://shop.murrelektronik.com/56760>

GTIN	4048879048149
Customs tariff number	85389099
ECLASS-6.0	27242604
ECLASS-6.1	27242604
ECLASS-7.0	27242604
ECLASS-7.1	27242604
ECLASS-8.0	27242604
ECLASS-8.1	27242604
ECLASS-9.0	27242604
ECLASS-9.1	27242604
ECLASS-10.0.1	27242604
ECLASS-10.1	27242604
ECLASS-11.0	27242604
ECLASS-11.1	27242604
ECLASS-12.0	27242604
ECLASS-13.0	27242604
ECLASS-14.0	27242604
ETIM-5.0	EC001601
ETIM-6.0	EC001601
ETIM-7.0	EC001601
ETIM-8.0	EC001601
customs tariff number	85389099
EAN	4048879048149
Packaging unit	1

Electrical data | Supply

Norm operating voltage	IEC/EN 61131-2
Operating voltage US DC	24 V
Total current US max.	4 A
Operating voltage UA DC	24 V
Total current UA max.	4 A
Current consumption max.	50 mA

Electrical data | Input

Sensor current US per input max.	0,2 A
Short-circuit protected	Yes
Overload resistant	Yes
filter time	1 ms
Type input	for 3-wire sensors or mechanical switches, PNP

Electrical data | Output

Output current per pin max.	0,5 A
Overload resistant	Yes
Short-circuit protected	Yes
Lamp load	10 W

Industrial Communication

Data transmission rate max.	9,6 kbit/s
-----------------------------	------------

Industrial communication | Ethernet functionality

duplex	half-duplex
--------	-------------

Diagnostics

Actuator warning	per channel via LED and BUS
Short circuit diagnosis	Yes
Overload diagnosis	Yes
Diagnostic	No voltage, Under voltage
Diagnostic via BUS	per module and channel

Diagnostic via LED	per module and channel
LED display	Ethernet connection/data traffic
Device protection Electrical	
Degree of protection (EN IEC 60529)	IP67
Mechanical data Mounting data	
Height	126 mm
Width	30 mm
Depth	34,5 mm
Suitable for mounting type	2-hole screw mounting
Environmental characteristics Climatic	
Operating temperature min.	0 °C
Operating temperature max.	55 °C
Ambient temperature (storage, transport)	-20 °C ... 75 °C
Connection type 4	
Connection type 1	Bus In
Connection type 2	Bus Out
Connection type 3	I / O
Connection type 4	RS485
Family construction form	M12
No. of poles	6
Coding	A
Gender	male
Color contact carrier	black
PIN 1	24 V DC (UA)
PIN 2	24 V DC (US)
PIN 3	0 V
PIN 4	Bus internal
PIN 5	Bus internal
PIN 6	0 V
Family construction form	M12
No. of poles	6
Coding	A
Gender	female
Color contact carrier	black
PIN 1	24 V DC (UA)
PIN 2	24 V DC (US)
PIN 3	0 V
PIN 4	Bus internal
PIN 5	Bus internal
PIN 6	0 V
Family construction form	M12
No. of poles	5
Coding	A
Gender	female
Color contact carrier	black
PIN 1	24 V DC
PIN 2	DI / DO / Diag
PIN 3	0 V
PIN 4	DI / DO
PIN 5	FE
Family construction form	M12
No. of poles	5
Coding	B

Gender	female
Color contact carrier	black
PIN 1	24 V DC
PIN 2	RS -
PIN 3	0 V
PIN 4	RS +
PIN 5	FE