

CUBE67 I/O COMPACT MODULE

4 analog inputs (RTD)

Art.No.: 56740

Weight: 0.140 kg

Country of origin: CZ

Model designation: Cube67 AI4 C 4xM12 RTD

Compact module

AI4 - (C) 4x M12 (RTD)

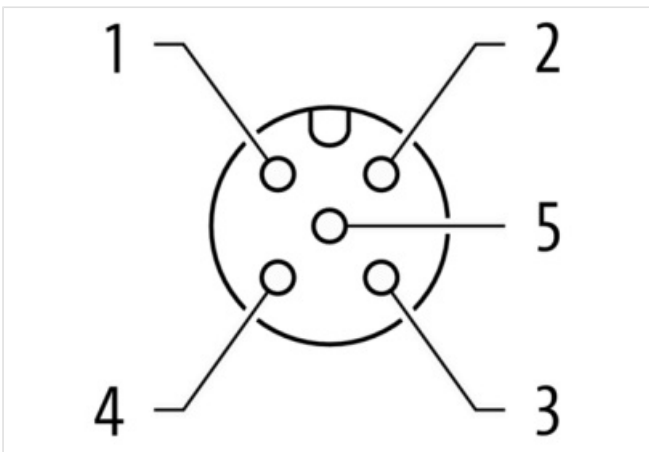
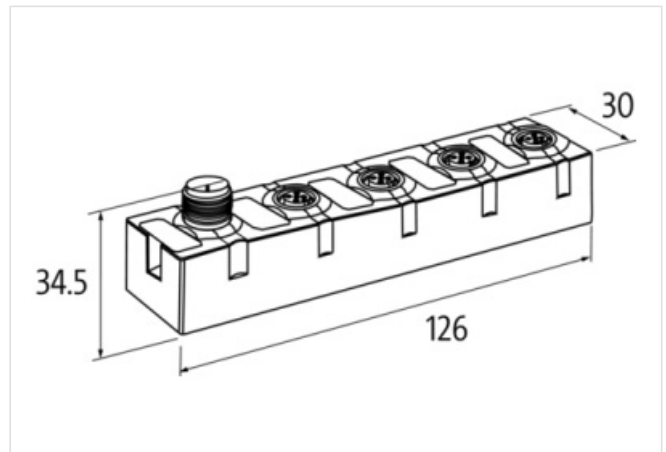
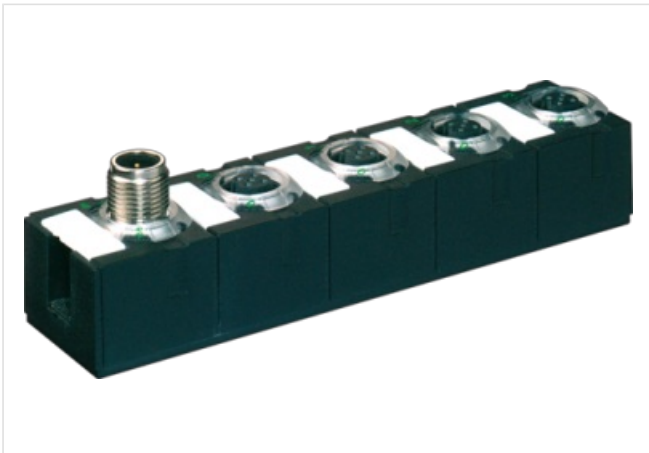
for resistors and temperature

Connection cables are in the online shop under "Connection Technology".

Housing fully potted.

Link to Product

Illustration



Product may differ from Image



Commercial data

URL Webshop

<https://shop.murrelektronik.com/56740>

GTIN

4048879048217

Customs tariff number	85389099
ECLASS-6.0	27242601
ECLASS-6.1	27242601
ECLASS-7.0	27242601
ECLASS-7.1	27242601
ECLASS-8.0	27242601
ECLASS-8.1	27242601
ECLASS-9.0	27242601
ECLASS-9.1	27242601
ECLASS-10.0.1	27242601
ECLASS-10.1	27242601
ECLASS-11.0	27242601
ECLASS-11.1	27242601
ECLASS-12.0	27242601
ECLASS-13.0	27242601
ECLASS-14.0	27242601
ETIM-5.0	EC001596
ETIM-6.0	EC001596
ETIM-7.0	EC001596
ETIM-8.0	EC001596
customs tariff number	85389099
EAN	4048879048217
Packaging unit	1

Electrical data | Supply

Total current US max.	4 A
Total current UA max.	4 A
Current consumption max.	50 mA

Electrical data | Input

Sensor type	PT100, PT200, PT500, PT1000, NI100, NI120, NI200, NI500, NI1000, 0...3000 Ohm, R
Conversion time analog input per channel	58 ms

Diagnostics

Actuator warning	per channel via LED and BUS
Short circuit diagnosis	Yes
Overload diagnosis	Yes
Diagnostic	No voltage, Under voltage
Diagnostic via BUS	per module and channel
Diagnostic via LED	per module and channel
LED display	Ethernet connection/data traffic

Device protection | Electrical

Degree of protection (EN IEC 60529)	IP67
-------------------------------------	------

Mechanical data | Mounting data

Height	126 mm
Width	30 mm
Depth	34,5 mm
Suitable for mounting type	2-hole screw mounting

Environmental characteristics | Climatic

Operating temperature min.	0 °C
Operating temperature max.	55 °C
Ambient temperature (storage, transport)	-20 °C ... 75 °C

Connection type 2

Connection type 1	0-3
-------------------	-----

Connection type 2	Bus In
Family construction form	M12
No. of poles	5
Coding	A
Gender	female
Color contact carrier	black
PIN 1	RD
PIN 2	RD
PIN 3	WH
PIN 4	WH
PIN 5	n.c.
Family construction form	M12
No. of poles	6
Coding	A
Gender	male
Color contact carrier	black
PIN 1	24 V DC (UA)
PIN 2	24 V DC (US)
PIN 3	0 V
PIN 4	Bus internal
PIN 5	Bus internal
PIN 6	0 V