

**CUBE67 AO4 C 4XM12 (U) VA**

Art.No.: 5671050

Weight: 0.140 kg

Country of origin: DE

Model designation: CUBE67 AO4 C 4XM12 (U) VA

Compact module

AO4 - (C) 4× M12 (U)

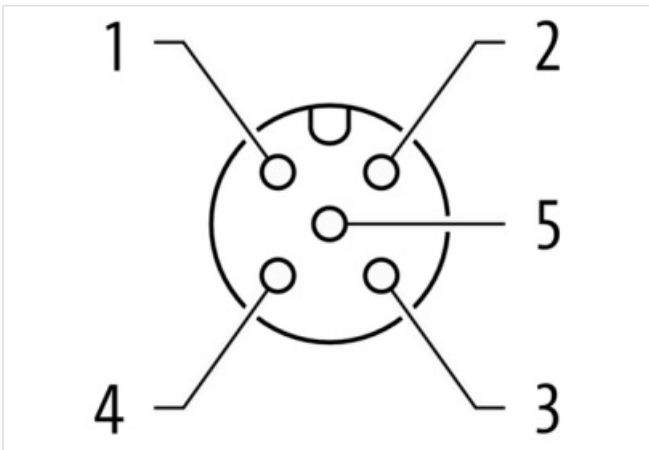
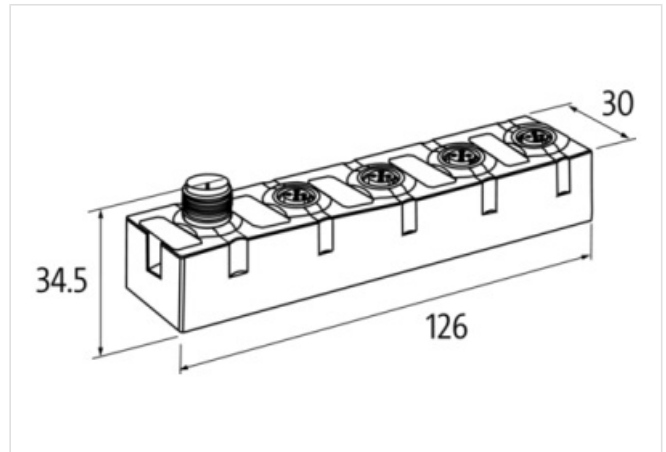
Voltage

Metal parts: Stainless steel

Connection cables are in the online shop under "Connection Technology".

Housing fully potted.

24 V DC (EN 61131-2), via system connection (max. 4 A)

**[Link to Product](#)****Illustration**

Product may differ from Image

**Commercial data**

URL Webshop

<https://shop.murrelektronik.com/5671050>

GTIN	4048879044820
Customs tariff number	85389099
ECLASS-6.0	27242601
ECLASS-7.0	27242601
ECLASS-8.0	27242601
ECLASS-9.0	27242601
ETIM-5.0	EC001596
ETIM-6.0	EC001596
ETIM-7.0	EC001596
ETIM-8.0	EC001596
customs tariff number	85389099
EAN	4048879044820
Packaging unit	1

**Electrical data | Supply**

Norm operating voltage	IEC/EN 61131-2
Total current US max.	4 A
Operating voltage UA DC	24 V
Total current UA max.	4 A
Current consumption max.	50 mA

**Electrical data | Output**

Actuator current UA per output max.	1,6 A
Overload resistant	Yes
Short-circuit protected	Yes
Conversion time analog output per channel	1 ms
Load resistance min.	0,5 kΩ

**Diagnostics**

Actuator warning	per channel via LED and BUS
Short circuit diagnosis	Yes
Overload diagnosis	Yes
Diagnostic	No voltage, Under voltage
Diagnostic via BUS	per module and channel
Diagnostic via LED	per module and channel
LED display	Ethernet connection/data traffic

**Device protection | Electrical**

Degree of protection (EN IEC 60529)	IP67
-------------------------------------	------

**Mechanical data | Mounting data**

Height	126 mm
Width	30 mm
Depth	34,5 mm
Suitable for mounting type	2-hole screw mounting

**Environmental characteristics | Climatic**

Operating temperature min.	0 °C
Operating temperature max.	55 °C
Ambient temperature (storage, transport)	-20 °C ... 75 °C

**Connection type 2**

Connection type 1	0-3
Connection type 2	Bus In
Family construction form	M12
No. of poles	5
Coding	A
Gender	female

Color contact carrier	black
PIN 1	24 V DC (UA)
PIN 3	0 V
PIN 4	AO
Family construction form	M12
No. of poles	6
Coding	A
Gender	male
Color contact carrier	black
PIN 1	24 V DC (UA)
PIN 2	24 V DC (US)
PIN 3	0 V
PIN 4	Bus internal
PIN 5	Bus internal
PIN 6	0 V