

## Cube67 I/O Cable-Module, I/O Extension Module

DI16/DO16, , Sub-D 37 pol., 5m

Art.No.: 5667102

Weight: 0.965 kg

Country of origin: CZ

Model designation: Cube67 DI16/DO16 E Cable 0,5A 5m Sub-D

Expansion module

Digital inputs

Digital outputs

with SUB-D37 (female)

Connection cables are in the online shop under "Connection Technology".

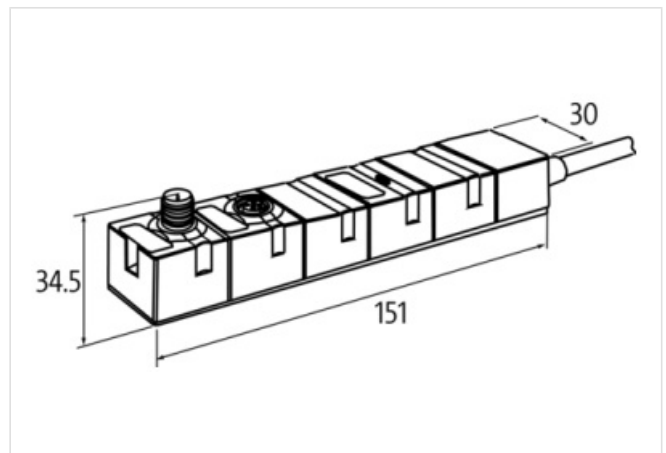
Housing fully potted.

### Link to Product

#### Illustration



Product may differ from Image



#### Commercial data

URL Webshop	<a href="https://shop.murrelektronik.com/5667102">https://shop.murrelektronik.com/5667102</a>
GTIN	4048879044851
Customs tariff number	85444290
ECLASS-6.0	27242604
ECLASS-6.1	27242604
ECLASS-7.0	27242604
ECLASS-7.1	27242604
ECLASS-8.0	27242604
ECLASS-8.1	27242604
ECLASS-9.0	27242604
ECLASS-9.1	27242604
ECLASS-10.0.1	27242604
ECLASS-10.1	27242604
ECLASS-11.0	27242604
ECLASS-11.1	27242604
ECLASS-12.0	27242604

ECLASS-13.0	27242604
ECLASS-14.0	27242604
ETIM-5.0	EC001599
ETIM-6.0	EC001599
ETIM-7.0	EC001599
ETIM-8.0	EC001599
customs tariff number	85444290
EAN	4048879044851
Packaging unit	1

**Electrical data | Supply**

Norm operating voltage	IEC/EN 61131-2
Operating voltage US DC	24 V
Total current US max.	4 A
Operating voltage UA DC	24 V
Total current UA max.	4 A
Current consumption max.	50 mA

**Electrical data | Input**

Current carrying capacity max.	0,2 A
filter time	1 ms
Type input	for 3-wire sensors or mechanical switches, PNP

**Electrical data | Output**

Output current per pin max.	0,5 A
Overload resistant	Yes
Short-circuit protected	Yes

**Diagnostics**

Actuator warning	per channel via LED and BUS
Short circuit diagnosis	Yes
Overload diagnosis	Yes
Diagnostic	No voltage, Under voltage
Diagnostic via BUS	per module and channel
Diagnostic via LED	per module and channel
LED display	Ethernet connection/data traffic

**Device protection | Electrical**

Degree of protection (EN IEC 60529)	IP67, IP20
-------------------------------------	------------

**Mechanical data | Mounting data**

Height	150 mm
Width	30 mm
Depth	34,5 mm
Suitable for mounting type	2-hole screw mounting
Cable length	5 m

**Environmental characteristics | Climatic**

Operating temperature min.	0 °C
Operating temperature max.	55 °C
Ambient temperature (storage, transport)	-20 °C ... 75 °C

**Connection type 3**

Connection type 1	Bus In
Connection type 2	Bus Out
Connection type 3	Data
Family construction form	M12
No. of poles	6
Coding	A

Gender	male
Color contact carrier	black
PIN 1	24 V DC (UA)
PIN 2	24 V DC (US)
PIN 3	0 V
PIN 4	Bus internal
PIN 5	Bus internal
PIN 6	0 V
Family construction form	M12
No. of poles	6
Coding	A
Gender	female
Color contact carrier	black
PIN 1	24 V DC (UA)
PIN 2	24 V DC (US)
PIN 3	0 V
PIN 4	Bus internal
PIN 5	Bus internal
PIN 6	0 V
Family construction form	D-Sub
No. of poles	39
Gender	female
PIN 1	24 V DC Sensor
PIN 2	0 V
PIN 3	In 9
PIN 4	Out 9
PIN 5	In 10
PIN 6	Out 10
PIN 7	In 11
PIN 8	Out 11
PIN 9	In 12
PIN 10	Out 12
PIN 11	Out 14
PIN 12	Out 14
PIN 14	Out 14
PIN 15	In 13
PIN 16	Out 16
PIN 17	In 16
PIN 18	Out 15
PIN 19	In 15
PIN 20	24 V DC Sensor
PIN 21	0 V
PIN 22	Out 2
PIN 23	In 2
PIN 24	Out 1
PIN 25	Out 3
PIN 26	Out 4
PIN 27	In 4
PIN 28	In 1
PIN 29	In 3
PIN 30	In 5
PIN 31	Out 5
PIN 32	In 6
PIN 33	Out 6

PIN 34	In 7
PIN 35	Out 7
PIN 36	In 8
PIN 37	Out 8