

CUBE67 I/O EXTENSION MODULE

8 multifunction channels

Art.No.: 56661

Weight: 0.220 kg

Country of origin: CZ

Model designation: Cube67 DIO8 E Cable

Expansion module

DIO8 - 1.6 A (E) 0.5 m (open cable)

With open ended wires

Digital inputs/outputs (multifunctional)

Connection cables are in the online shop under "Connection Technology".

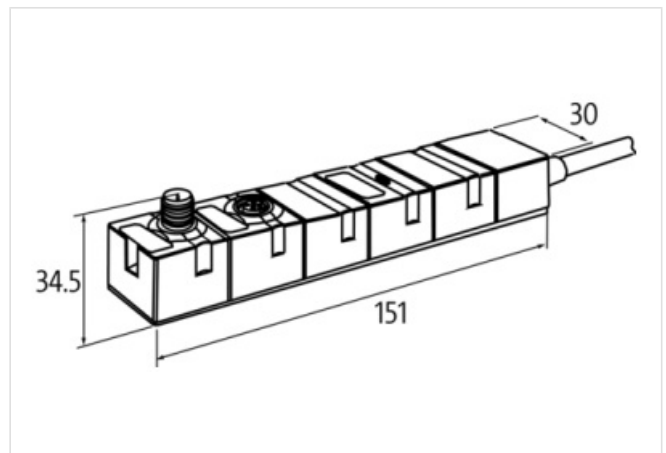
Housing fully potted.

Link to Product

Illustration



Product may differ from Image



Commercial data

URL Webshop	https://shop.murrelektronik.com/56661
GTIN	4048879048347
Customs tariff number	85444290
ECLASS-6.0	27242604
ECLASS-6.1	27242604
ECLASS-7.0	27242604
ECLASS-7.1	27242604
ECLASS-8.0	27242604
ECLASS-8.1	27242604
ECLASS-9.0	27242604
ECLASS-9.1	27242604
ECLASS-10.0.1	27242604
ECLASS-10.1	27242604
ECLASS-11.0	27242604
ECLASS-11.1	27242604
ECLASS-12.0	27242604

ECLASS-13.0	27242604
ECLASS-14.0	27242604
ETIM-5.0	EC001599
ETIM-6.0	EC001599
ETIM-7.0	EC001599
ETIM-8.0	EC001599
customs tariff number	85444290
EAN	4048879048347
Packaging unit	1

Electrical data | Supply

Norm operating voltage	IEC/EN 61131-2
Operating voltage US DC	24 V
Total current US max.	4 A
Operating voltage UA DC	24 V
Total current UA max.	4 A
Current consumption max.	30 mA

Electrical data | Input

Current carrying capacity max.	1,6 A
filter time	1 ms
Type input	for 3-wire sensors or mechanical switches, PNP

Electrical data | Output

Overload resistant	Yes
Short-circuit protected	Yes
Switching current max.	60 mA

Industrial Communication

Parameterization I/O channels	Input, Diagnosis input, Output
-------------------------------	--------------------------------

Diagnostics

Actuator warning	per channel via BUS
Short circuit diagnosis	Yes
Overload diagnosis	Yes
Diagnostic	No voltage, Under voltage
Diagnostic via BUS	per module and channel
Diagnostic via LED	per module
LED display	Ethernet connection/data traffic

Device protection | Electrical

Degree of protection (EN IEC 60529)	IP67
-------------------------------------	------

Mechanical data | Mounting data

Height	150 mm
Width	30 mm
Depth	34,5 mm
Suitable for mounting type	2-hole screw mounting
Cable length	0,5 m

Environmental characteristics | Climatic

Operating temperature min.	0 °C
Operating temperature max.	55 °C
Ambient temperature (storage, transport)	-20 °C ... 75 °C

Connection type 3

Connection type 1	Bus In
Connection type 2	Bus Out
Connection type 3	Data

Family construction form	M12
No. of poles	6
Coding	A
Gender	male
Color contact carrier	black
PIN 1	24 V DC (UA)
PIN 2	24 V DC (US)
PIN 3	0 V
PIN 4	Bus internal
PIN 5	Bus internal
PIN 6	0 V
Family construction form	M12
No. of poles	6
Coding	A
Gender	female
Color contact carrier	black
PIN 1	24 V DC (UA)
PIN 2	24 V DC (US)
PIN 3	0 V
PIN 4	Bus internal
PIN 5	Bus internal
PIN 6	0 V
Family construction form	free cable end
No. of poles	10
Color contact carrier	gray
PIN 1	Out 1
PIN 2	Out 2
PIN 3	Out 3
PIN 4	Out 4
PIN 5	Out 5
PIN 6	Out 6
PIN 7	Out 7
PIN 8	Out 8
PIN 9	0 V
PIN 10	24 V DC (UA) Sens