

### Cube67 Valve-Interface, I/O Extension Module

DO32, MAC Valves, D-Sub HD44F 44 pol.,

Art.No.: 56657

Weight: 0.185 kg

Country of origin: CZ

Model designation: Cube67 DO32 E MAC

Expansion module

Cube67 DO32 E - Valve

Multipole plug (0.5 A)

MAC - SUB-D44

Connection cables are in the online shop under "Connection Technology".

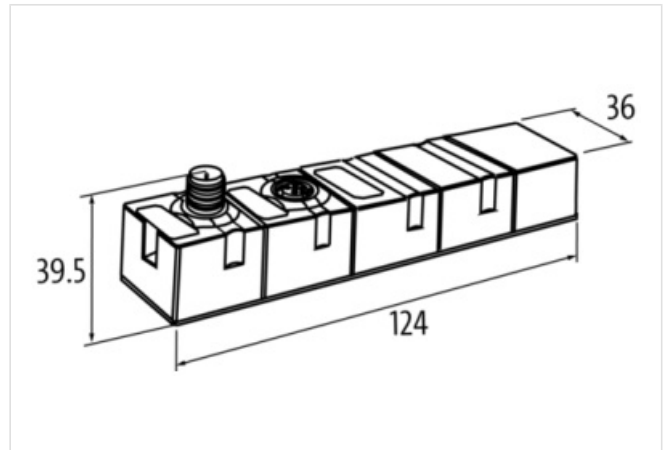
Housing fully potted.

### Link to Product

#### Illustration



Product may differ from Image



#### Commercial data

URL Webshop	<a href="https://shop.murrelektronik.com/56657">https://shop.murrelektronik.com/56657</a>
GTIN	4048879048361
Customs tariff number	85389099
ECLASS-6.0	27242604
ECLASS-6.1	27242604
ECLASS-7.0	27242604
ECLASS-7.1	27242604
ECLASS-8.0	27242604
ECLASS-8.1	27242604
ECLASS-9.0	27242604
ECLASS-9.1	27242604
ECLASS-10.0.1	27242604
ECLASS-10.1	27242604
ECLASS-11.0	27242604
ECLASS-11.1	27242604
ECLASS-12.0	27242604

ECLASS-13.0	27242604
ECLASS-14.0	27242604
ETIM-5.0	EC001599
ETIM-6.0	EC001599
ETIM-7.0	EC001599
ETIM-8.0	EC001599
customs tariff number	85389099
EAN	4048879048361
Packaging unit	1

**Electrical data | Supply**

Norm operating voltage	IEC/EN 61131-2
Total current US max.	4 A
Operating voltage UA DC	24 V
Total current UA max.	4 A
Current consumption max.	50 mA

**Electrical data | Output**

Output current per pin max.	0,5 A
Overload resistant	Yes
Short-circuit protected	Yes

**Diagnostics**

Actuator warning	per channel via BUS
Short circuit diagnosis	Yes
Overload diagnosis	Yes
Diagnostic	No voltage, Under voltage
Diagnostic via BUS	per module and channel
Diagnostic via LED	per module
LED display	Ethernet connection/data traffic

**Device protection | Electrical**

Degree of protection (EN IEC 60529)	IP67
-------------------------------------	------

**Mechanical data | Mounting data**

Height	124 mm
Width	36 mm
Depth	39,5 mm
Suitable for mounting type	2-hole screw mounting

**Environmental characteristics | Climatic**

Operating temperature min.	0 °C
Operating temperature max.	55 °C
Ambient temperature (storage, transport)	-20 °C ... 70 °C

**Connection type 2**

Connection type 1	Bus Out
Connection type 2	Data
Family construction form	M12
No. of poles	6
Coding	A
Gender	male
Color contact carrier	black
PIN 1	24 V DC (UA)
PIN 2	24 V DC (US)
PIN 3	0 V
PIN 4	Bus internal
PIN 5	Bus internal

PIN 6	0 V
Family construction form	D-Sub
No. of poles	44
Gender	female
PIN 1	Out 0
PIN 2	Out 1
PIN 3	Out 2
PIN 4	Out 3
PIN 5	Out 4
PIN 6	Out 5
PIN 7	Out 6
PIN 8	Out 7
PIN 9	Out 8
PIN 10	Out 9
PIN 11	Out 10
PIN 12	Out 11
PIN 13	Out 12
PIN 14	Out 13
PIN 15	Out 14
PIN 16	Out 15
PIN 17	Out 16
PIN 18	Out 17
PIN 19	Out 18
PIN 20	Out 19
PIN 21	Out 20
PIN 22	Out 21
PIN 23	Out 22
PIN 24	Out 23
PIN 25	Out 24
PIN 26	Out 25
PIN 27	Out 26
PIN 28	Out 27
PIN 29	Out 28
PIN 30	Out 29
PIN 31	Out 30
PIN 32	Out 31
PIN 33	Sens
PIN 34	0 V
PIN 35	0 V
PIN 36	0 V
PIN 37	0 V
PIN 38	0 V
PIN 39	0 V
PIN 40	0 V
PIN 41	0 V
PIN 42	0 V
PIN 43	FE
PIN 44	FE