

### Cube67 Valve-Interface, I/O Extension Module

DO23, SMC, Sub-D 25 pol., 0,5m

Art.No.: 5665604

Weight: 0.120 kg

Country of origin: CZ

Model designation: Cube67 DO23 E Valve SMC

Expansion module

DO23 - Valve (E) 0.5 m

Multipole plug (70 mA)

SMC - Series SV

Connection cables are in the online shop under "Connection Technology".

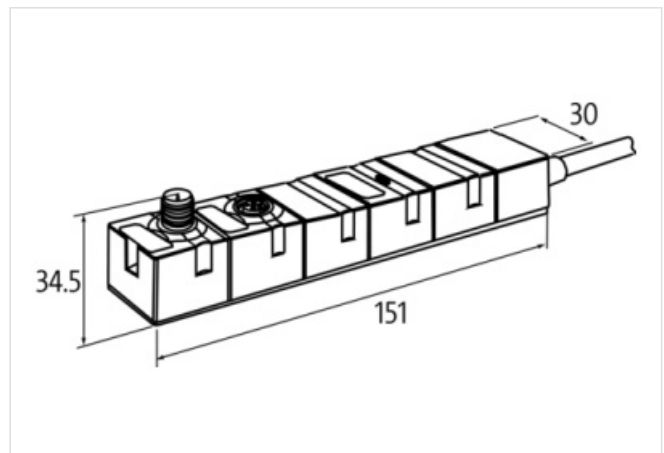
Housing fully potted.

### Link to Product

#### Illustration



Product may differ from Image



#### Commercial data

URL Webshop	<a href="https://shop.murrelektronik.com/5665604">https://shop.murrelektronik.com/5665604</a>
GTIN	4048879045018
Customs tariff number	85389099
ECLASS-6.0	27242604
ECLASS-6.1	27242604
ECLASS-7.0	27242604
ECLASS-7.1	27242604
ECLASS-8.0	27242604
ECLASS-8.1	27242604
ECLASS-9.0	27242604
ECLASS-9.1	27242604
ECLASS-10.0.1	27242604
ECLASS-10.1	27242604
ECLASS-11.0	27242604
ECLASS-11.1	27242604
ECLASS-12.0	27242604

ECLASS-13.0	27242604
ECLASS-14.0	27242604
ETIM-5.0	EC001599
ETIM-6.0	EC001599
ETIM-7.0	EC001599
ETIM-8.0	EC001599
customs tariff number	85389099
EAN	4048879045018
Packaging unit	1

#### Electrical data | Supply

Norm operating voltage	IEC/EN 61131-2
Total current US max.	4 A
Operating voltage UA DC	24 V
Total current UA max.	4 A
Current consumption max.	50 mA

#### Electrical data | Output

Output current per pin max.	0,5 A
Overload resistant	Yes
Short-circuit protected	Yes

#### Diagnostics

Actuator warning	per channel via BUS
Short circuit diagnosis	Yes
Overload diagnosis	Yes
Diagnostic	No voltage, Under voltage
Diagnostic via BUS	per module and channel
Diagnostic via LED	per module
LED display	Ethernet connection/data traffic

#### Device protection | Electrical

Degree of protection (EN IEC 60529)	IP67
-------------------------------------	------

#### Mechanical data | Mounting data

Height	150 mm
Width	30 mm
Depth	34,5 mm
Suitable for mounting type	2-hole screw mounting
Cable length	0,5 m

#### Environmental characteristics | Climatic

Operating temperature min.	0 °C
Operating temperature max.	55 °C
Ambient temperature (storage, transport)	-20 °C ... 75 °C

#### Connection type 3

Connection type 1	Bus In
Connection type 2	Bus Out
Connection type 3	Data
Family construction form	M12
No. of poles	6
Coding	A
Gender	male
Color contact carrier	black
PIN 1	24 V DC (UA)
PIN 2	24 V DC (US)
PIN 3	0 V

PIN 4	Bus internal
PIN 5	Bus internal
PIN 6	0 V
Family construction form	M12
No. of poles	6
Coding	A
Gender	female
Color contact carrier	black
PIN 1	24 V DC (UA)
PIN 2	24 V DC (US)
PIN 3	0 V
PIN 4	Bus internal
PIN 5	Bus internal
PIN 6	0 V
Family construction form	D-Sub
No. of poles	25
Gender	female
PIN 1	Out 1
PIN 2	Out 3
PIN 3	Out 5
PIN 4	Out 7
PIN 5	Out 9
PIN 6	Out 11
PIN 7	Out 13
PIN 8	Out 15
PIN 9	Out 17
PIN 10	Out 19
PIN 11	Out 21
PIN 12	Out 23
PIN 13	0 V
PIN 14	Out 2
PIN 15	Out 4
PIN 16	Out 6
PIN 17	Out 8
PIN 18	Out 10
PIN 19	Out 12
PIN 20	Out 14
PIN 21	Out 16
PIN 22	Out 18
PIN 23	Out 20
PIN 24	Out 22
PIN 25	0 V