

Cube67 I/O Cable-Module, I/O Extension Module

DO8, Open-End, 0,5m

Art.No.: 56655

Weight: 0.220 kg

Country of origin: CZ

Model designation: Cube67 DO8 E Valve 0,5 A

Expansion module

Valve

DO8 - 0.5 A (E) 0.5 m (open cable)

Connection cables are in the online shop under "Connection Technology".

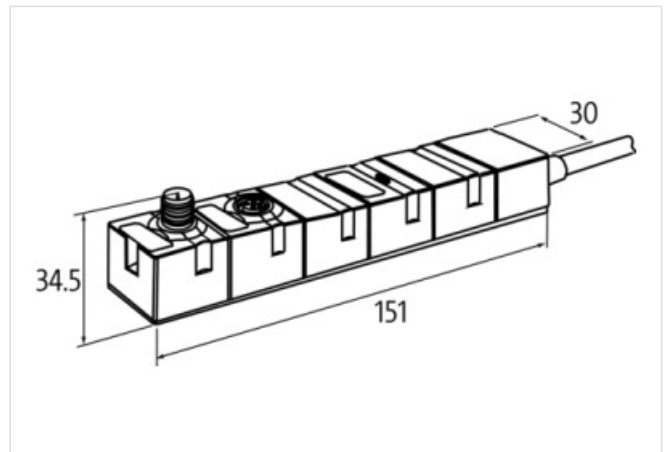
Housing fully potted.

Link to Product

Illustration



Product may differ from Image



Commercial data

URL Webshop	https://shop.murrelektronik.com/56655
GTIN	4048879048385
Customs tariff number	85389099
ECLASS-6.0	27242604
ECLASS-6.1	27242604
ECLASS-7.0	27242604
ECLASS-7.1	27242604
ECLASS-8.0	27242604
ECLASS-8.1	27242604
ECLASS-9.0	27242604
ECLASS-9.1	27242604
ECLASS-10.0.1	27242604
ECLASS-10.1	27242604
ECLASS-11.0	27242604
ECLASS-11.1	27242604
ECLASS-12.0	27242604

ECLASS-13.0	27242604
ECLASS-14.0	27242604
ETIM-5.0	EC001599
ETIM-6.0	EC001599
ETIM-7.0	EC001599
ETIM-8.0	EC001599
customs tariff number	85389099
EAN	4048879048385
Packaging unit	1

Electrical data | Supply

Norm operating voltage	IEC/EN 61131-2
Total current US max.	4 A
Operating voltage UA DC	24 V
Total current UA max.	4 A
Current consumption max.	50 mA

Electrical data | Output

Output current per pin max.	0,5 A
Overload resistant	Yes
Short-circuit protected	Yes

Diagnostics

Actuator warning	per channel via BUS
Short circuit diagnosis	Yes
Overload diagnosis	Yes
Diagnostic	No voltage, Under voltage
Diagnostic via BUS	per module and channel
Diagnostic via LED	per module
LED display	Ethernet connection/data traffic

Device protection | Electrical

Degree of protection (EN IEC 60529)	IP67
-------------------------------------	------

Mechanical data | Mounting data

Height	150 mm
Width	30 mm
Depth	34,5 mm
Suitable for mounting type	2-hole screw mounting
Cable length	0,5 m

Environmental characteristics | Climatic

Operating temperature min.	0 °C
Operating temperature max.	55 °C
Ambient temperature (storage, transport)	-20 °C ... 75 °C

Connection type 12

Connection type 1	Bus In
Connection type 2	Bus Out
Connection type 3	Data
Family construction form	free cable end
No. of poles	10
Coding	A
Gender	female
Color contact carrier	gray
PIN 1	Out 1
PIN 2	Out 2
PIN 3	Out 3

PIN 4	Out 4
PIN 5	Out 5
PIN 6	Out 6
PIN 7	Out 7
PIN 8	Out 8
PIN 9	0 V
PIN 10	Sens
Family construction form	free cable end
No. of poles	10
Coding	A
Gender	female
Color contact carrier	gray
PIN 1	Out 1
PIN 2	Out 2
PIN 3	Out 3
PIN 4	Out 4
PIN 5	Out 5
PIN 6	Out 6
PIN 7	Out 7
PIN 8	Out 8
PIN 9	0 V
PIN 10	Sens
Family construction form	free cable end
No. of poles	10
Coding	A
Gender	female
Color contact carrier	gray
PIN 1	Out 1
PIN 2	Out 2
PIN 3	Out 3
PIN 4	Out 4
PIN 5	Out 5
PIN 6	Out 6
PIN 7	Out 7
PIN 8	Out 8
PIN 9	0 V
PIN 10	Sens
Family construction form	free cable end
No. of poles	10
Coding	A
Gender	female
Color contact carrier	gray
PIN 1	Out 1
PIN 2	Out 2
PIN 3	Out 3
PIN 4	Out 4
PIN 5	Out 5
PIN 6	Out 6
PIN 7	Out 7
PIN 8	Out 8
PIN 9	0 V
PIN 10	Sens
Family construction form	free cable end
No. of poles	10

Coding	A
Gender	female
Color contact carrier	gray
PIN 1	Out 1
PIN 2	Out 2
PIN 3	Out 3
PIN 4	Out 4
PIN 5	Out 5
PIN 6	Out 6
PIN 7	Out 7
PIN 8	Out 8
PIN 9	0 V
PIN 10	Sens
Family construction form	free cable end
No. of poles	10
Coding	A
Gender	female
Color contact carrier	gray
PIN 1	Out 1
PIN 2	Out 2
PIN 3	Out 3
PIN 4	Out 4
PIN 5	Out 5
PIN 6	Out 6
PIN 7	Out 7
PIN 8	Out 8
PIN 9	0 V
PIN 10	Sens
Family construction form	free cable end
No. of poles	10
Coding	A
Gender	female
Color contact carrier	gray
PIN 1	Out 1
PIN 2	Out 2
PIN 3	Out 3
PIN 4	Out 4
PIN 5	Out 5
PIN 6	Out 6
PIN 7	Out 7
PIN 8	Out 8
PIN 9	0 V
PIN 10	Sens
Family construction form	free cable end
No. of poles	10
Coding	A
Gender	female
Color contact carrier	gray
PIN 1	Out 1
PIN 2	Out 2
PIN 3	Out 3
PIN 4	Out 4
PIN 5	Out 5
PIN 6	Out 6
PIN 7	Out 7
PIN 8	Out 8
PIN 9	0 V
PIN 10	Sens
Family construction form	free cable end
No. of poles	10
Coding	A
Gender	female
Color contact carrier	gray
PIN 1	Out 1
PIN 2	Out 2
PIN 3	Out 3
PIN 4	Out 4
PIN 5	Out 5
PIN 6	Out 6

PIN 7	Out 7
PIN 8	Out 8
PIN 9	0 V
PIN 10	Sens
Family construction form	free cable end
No. of poles	10
Coding	A
Gender	female
Color contact carrier	gray
PIN 1	Out 1
PIN 2	Out 2
PIN 3	Out 3
PIN 4	Out 4
PIN 5	Out 5
PIN 6	Out 6
PIN 7	Out 7
PIN 8	Out 8
PIN 9	0 V
PIN 10	Sens
Family construction form	free cable end
No. of poles	10
Coding	A
Gender	female
Color contact carrier	gray
PIN 1	Out 1
PIN 2	Out 2
PIN 3	Out 3
PIN 4	Out 4
PIN 5	Out 5
PIN 6	Out 6
PIN 7	Out 7
PIN 8	Out 8
PIN 9	0 V
PIN 10	Sens
Family construction form	free cable end
No. of poles	10
Coding	A
Gender	female
Color contact carrier	gray
PIN 1	Out 1
PIN 2	Out 2
PIN 3	Out 3
PIN 4	Out 4
PIN 5	Out 5
PIN 6	Out 6
PIN 7	Out 7
PIN 8	Out 8
PIN 9	0 V
PIN 10	Sens
Family construction form	free cable end
No. of poles	10
Coding	A
Gender	female
Color contact carrier	gray

PIN 1	Out 1
PIN 2	Out 2
PIN 3	Out 3
PIN 4	Out 4
PIN 5	Out 5
PIN 6	Out 6
PIN 7	Out 7
PIN 8	Out 8
PIN 9	0 V
PIN 10	Sens