

## Cube67 Valve-Interface, I/O Extension Module

DO16, Open-End, 1,5m

Art.No.: 5665104

Weight: 0.383 kg

Country of origin: CZ

Model designation: Cube67 DO16 E Valve 1,5m

Expansion module

DO16 - Valve (E) 0.5 m

Open cable (0.5 m) 50 mA

Connection cables are in the online shop under "Connection Technology".

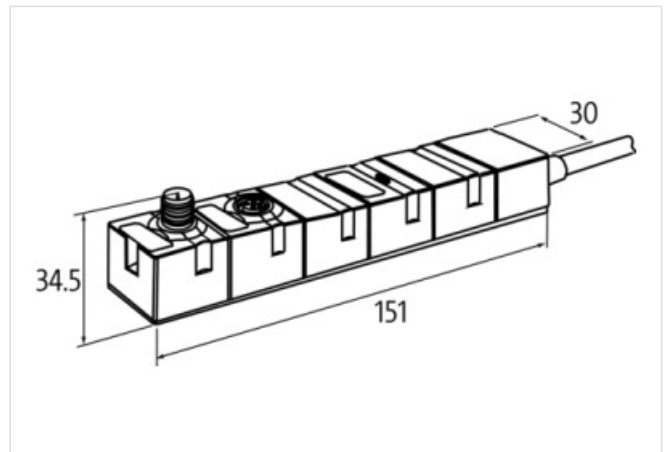
Housing fully potted.

### Link to Product

#### Illustration



Product may differ from Image



#### Commercial data

|                       |                                                                                               |
|-----------------------|-----------------------------------------------------------------------------------------------|
| URL Webshop           | <a href="https://shop.murrelektronik.com/5665104">https://shop.murrelektronik.com/5665104</a> |
| GTIN                  | 4048879045230                                                                                 |
| Customs tariff number | 85389099                                                                                      |
| ECLASS-6.0            | 27242604                                                                                      |
| ECLASS-6.1            | 27242604                                                                                      |
| ECLASS-7.0            | 27242604                                                                                      |
| ECLASS-7.1            | 27242604                                                                                      |
| ECLASS-8.0            | 27242604                                                                                      |
| ECLASS-8.1            | 27242604                                                                                      |
| ECLASS-9.0            | 27242604                                                                                      |
| ECLASS-9.1            | 27242604                                                                                      |
| ECLASS-10.0.1         | 27242604                                                                                      |
| ECLASS-10.1           | 27242604                                                                                      |
| ECLASS-11.0           | 27242604                                                                                      |
| ECLASS-11.1           | 27242604                                                                                      |
| ECLASS-12.0           | 27242604                                                                                      |

|                       |               |
|-----------------------|---------------|
| ECLASS-13.0           | 27242604      |
| ECLASS-14.0           | 27242604      |
| ETIM-5.0              | EC001599      |
| ETIM-6.0              | EC001599      |
| ETIM-7.0              | EC001599      |
| ETIM-8.0              | EC001599      |
| customs tariff number | 85389099      |
| EAN                   | 4048879045230 |
| Packaging unit        | 1             |

#### Electrical data | Supply

|                          |                |
|--------------------------|----------------|
| Norm operating voltage   | IEC/EN 61131-2 |
| Total current US max.    | 4 A            |
| Operating voltage UA DC  | 24 V           |
| Total current UA max.    | 4 A            |
| Current consumption max. | 50 mA          |

#### Diagnostics

|                         |                                  |
|-------------------------|----------------------------------|
| Actuator warning        | per channel via BUS              |
| Short circuit diagnosis | Yes                              |
| Overload diagnosis      | Yes                              |
| Diagnostic              | No voltage, Under voltage        |
| Diagnostic via BUS      | per module and channel           |
| Diagnostic via LED      | per module                       |
| LED display             | Ethernet connection/data traffic |

#### Device protection | Electrical

|                                     |      |
|-------------------------------------|------|
| Degree of protection (EN IEC 60529) | IP67 |
|-------------------------------------|------|

#### Mechanical data | Mounting data

|                            |                       |
|----------------------------|-----------------------|
| Height                     | 150 mm                |
| Width                      | 30 mm                 |
| Depth                      | 34,5 mm               |
| Suitable for mounting type | 2-hole screw mounting |

#### Environmental characteristics | Climatic

|                                          |                  |
|------------------------------------------|------------------|
| Operating temperature min.               | 0 °C             |
| Operating temperature max.               | 55 °C            |
| Ambient temperature (storage, transport) | -20 °C ... 75 °C |

#### Connection type 3

|                          |              |
|--------------------------|--------------|
| Connection type 1        | Bus In       |
| Connection type 2        | Bus Out      |
| Connection type 3        | Data         |
| Family construction form | M12          |
| No. of poles             | 6            |
| Coding                   | A            |
| Gender                   | male         |
| Color contact carrier    | black        |
| PIN 1                    | 24 V DC (UA) |
| PIN 2                    | 24 V DC (US) |
| PIN 3                    | 0 V          |
| PIN 4                    | Bus internal |
| PIN 5                    | Bus internal |
| PIN 6                    | 0 V          |
| Family construction form | M12          |
| No. of poles             | 6            |
| Coding                   | A            |

|                          |                |
|--------------------------|----------------|
| Gender                   | female         |
| Color contact carrier    | black          |
| PIN 1                    | 24 V DC (UA)   |
| PIN 2                    | 24 V DC (US)   |
| PIN 3                    | 0 V            |
| PIN 4                    | Bus internal   |
| PIN 5                    | Bus internal   |
| PIN 6                    | 0 V            |
| Family construction form | free cable end |
| No. of poles             | 18             |
| Color contact carrier    | gray           |
| PIN 1                    | Out 1          |
| PIN 2                    | Out 2          |
| PIN 3                    | Out 3          |
| PIN 4                    | Out 4          |
| PIN 5                    | Out 5          |
| PIN 6                    | Out 6          |
| PIN 7                    | Out 7          |
| PIN 8                    | Out 8          |
| PIN 9                    | Out 9          |
| PIN 10                   | Out 10         |
| PIN 11                   | Out 11         |
| PIN 12                   | Out 12         |
| PIN 13                   | Out 13         |
| PIN 14                   | Out 14         |
| PIN 15                   | Out 15         |
| PIN 16                   | Out 16         |
| PIN 17                   | 0 V            |
| PIN 18                   | Sens           |