

Cube67 Valve-Interface, I/O Extension Module

DO16, Festo CPV-SC, Sub-D 26 pol., 0,5m

Art.No.: 5665103

Weight: 0.250 kg

Country of origin: CZ

Model designation: Cube67 DO16 E Valve CPV-SC 26-pol. Sub-D

Expansion module

DO16 - Valve (E) 0.5 m

Multipole plug (0.05 A)

FESTO - CPV-SC (SUB-D26)

Connection cables are in the online shop under "Connection Technology".

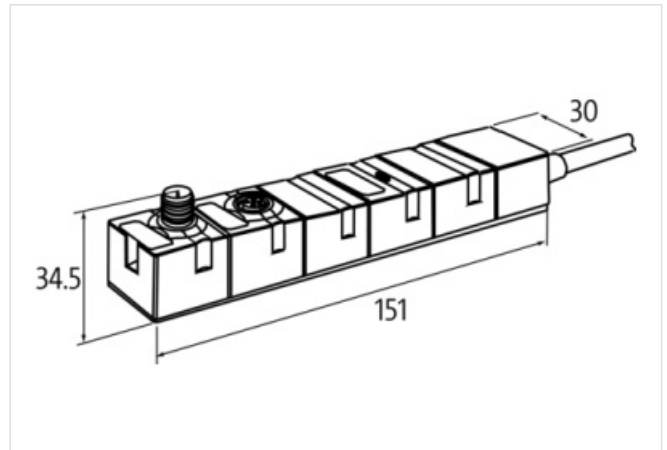
Housing fully potted.

Link to Product

Illustration



Product may differ from Image



Commercial data

URL Webshop	https://shop.murrelektronik.com/5665103
GTIN	4048879045247
Customs tariff number	85389099
ECLASS-6.0	27242604
ECLASS-6.1	27242604
ECLASS-7.0	27242604
ECLASS-7.1	27242604
ECLASS-8.0	27242604
ECLASS-8.1	27242604
ECLASS-9.0	27242604
ECLASS-9.1	27242604
ECLASS-10.0.1	27242604
ECLASS-10.1	27242604
ECLASS-11.0	27242604
ECLASS-11.1	27242604
ECLASS-12.0	27242604

ECLASS-13.0	27242604
ECLASS-14.0	27242604
ETIM-5.0	EC001599
ETIM-6.0	EC001599
ETIM-7.0	EC001599
ETIM-8.0	EC001599
customs tariff number	85389099
EAN	4048879045247
Packaging unit	1

Electrical data | Supply

Norm operating voltage	IEC/EN 61131-2
Total current US max.	4 A
Operating voltage UA DC	24 V
Total current UA max.	4 A
Current consumption max.	50 mA

Electrical data | Output

Output current per pin max.	0,05 A
Overload resistant	Yes
Short-circuit protected	Yes

Diagnostics

Actuator warning	per channel via BUS
Short circuit diagnosis	Yes
Overload diagnosis	Yes
Diagnostic	No voltage, Under voltage
Diagnostic via BUS	per module and channel
Diagnostic via LED	per module
LED display	Ethernet connection/data traffic

Device protection | Electrical

Degree of protection (EN IEC 60529)	IP67
-------------------------------------	------

Mechanical data | Mounting data

Height	150 mm
Width	30 mm
Depth	34,5 mm
Suitable for mounting type	2-hole screw mounting

Environmental characteristics | Climatic

Operating temperature min.	0 °C
Operating temperature max.	55 °C
Ambient temperature (storage, transport)	-20 °C ... 75 °C

Connection type 8

Connection type 1	Bus In
Connection type 2	Bus Out
Connection type 3	Data
Family construction form	D-Sub
No. of poles	26
Coding	A
Gender	female
Color contact carrier	black
PIN 1	Out 1
PIN 2	Out 2
PIN 3	Out 3
PIN 4	Out 4

PIN 5	Out 5
PIN 6	Out 6
PIN 7	Out 7
PIN 8	Out 8
PIN 9	Out 9
PIN 10	Out 10
PIN 11	Out 11
PIN 12	Out 12
PIN 13	Out 13
PIN 14	Out 14
PIN 15	Out 15
PIN 16	Out 16
PIN 17	n.c.
PIN 18	n.c.
PIN 19	n.c.
PIN 20	n.c.
PIN 21	n.c.
PIN 22	n.c.
PIN 23	0 V
PIN 24	Sens
PIN 25	n.c.
PIN 26	n.c.
Family construction form	D-Sub
No. of poles	26
Coding	A
Gender	female
Color contact carrier	black
PIN 1	Out 1
PIN 2	Out 2
PIN 3	Out 3
PIN 4	Out 4
PIN 5	Out 5
PIN 6	Out 6
PIN 7	Out 7
PIN 8	Out 8
PIN 9	Out 9
PIN 10	Out 10
PIN 11	Out 11
PIN 12	Out 12
PIN 13	Out 13
PIN 14	Out 14
PIN 15	Out 15
PIN 16	Out 16
PIN 17	n.c.
PIN 18	n.c.
PIN 19	n.c.
PIN 20	n.c.
PIN 21	n.c.
PIN 22	n.c.
PIN 23	0 V
PIN 24	Sens
PIN 25	n.c.
PIN 26	n.c.
Family construction form	D-Sub

No. of poles	26
Coding	A
Gender	female
Color contact carrier	black
PIN 1	Out 1
PIN 2	Out 2
PIN 3	Out 3
PIN 4	Out 4
PIN 5	Out 5
PIN 6	Out 6
PIN 7	Out 7
PIN 8	Out 8
PIN 9	Out 9
PIN 10	Out 10
PIN 11	Out 11
PIN 12	Out 12
PIN 13	Out 13
PIN 14	Out 14
PIN 15	Out 15
PIN 16	Out 16
PIN 17	n.c.
PIN 18	n.c.
PIN 19	n.c.
PIN 20	n.c.
PIN 21	n.c.
PIN 22	n.c.
PIN 23	0 V
PIN 24	Sens
PIN 25	n.c.
PIN 26	n.c.
Family construction form	D-Sub
No. of poles	26
Coding	A
Gender	female
Color contact carrier	black
PIN 1	Out 1
PIN 2	Out 2
PIN 3	Out 3
PIN 4	Out 4
PIN 5	Out 5
PIN 6	Out 6
PIN 7	Out 7
PIN 8	Out 8
PIN 9	Out 9
PIN 10	Out 10
PIN 11	Out 11
PIN 12	Out 12
PIN 13	Out 13
PIN 14	Out 14
PIN 15	Out 15
PIN 16	Out 16
PIN 17	n.c.
PIN 18	n.c.
PIN 19	n.c.

PIN 20	n.c.
PIN 21	n.c.
PIN 22	n.c.
PIN 23	0 V
PIN 24	Sens
PIN 25	n.c.
PIN 26	n.c.
Family construction form	D-Sub
No. of poles	26
Coding	A
Gender	female
Color contact carrier	black
PIN 1	Out 1
PIN 2	Out 2
PIN 3	Out 3
PIN 4	Out 4
PIN 5	Out 5
PIN 6	Out 6
PIN 7	Out 7
PIN 8	Out 8
PIN 9	Out 9
PIN 10	Out 10
PIN 11	Out 11
PIN 12	Out 12
PIN 13	Out 13
PIN 14	Out 14
PIN 15	Out 15
PIN 16	Out 16
PIN 17	n.c.
PIN 18	n.c.
PIN 19	n.c.
PIN 20	n.c.
PIN 21	n.c.
PIN 22	n.c.
PIN 23	0 V
PIN 24	Sens
PIN 25	n.c.
PIN 26	n.c.
Family construction form	D-Sub
No. of poles	26
Coding	A
Gender	female
Color contact carrier	black
PIN 1	Out 1
PIN 2	Out 2
PIN 3	Out 3
PIN 4	Out 4
PIN 5	Out 5
PIN 6	Out 6
PIN 7	Out 7
PIN 8	Out 8
PIN 9	Out 9
PIN 10	Out 10
PIN 11	Out 11

PIN 12	Out 12
PIN 13	Out 13
PIN 14	Out 14
PIN 15	Out 15
PIN 16	Out 16
PIN 17	n.c.
PIN 18	n.c.
PIN 19	n.c.
PIN 20	n.c.
PIN 21	n.c.
PIN 22	n.c.
PIN 23	0 V
PIN 24	Sens
PIN 25	n.c.
PIN 26	n.c.
Family construction form	D-Sub
No. of poles	26
Coding	A
Gender	female
Color contact carrier	black
PIN 1	Out 1
PIN 2	Out 2
PIN 3	Out 3
PIN 4	Out 4
PIN 5	Out 5
PIN 6	Out 6
PIN 7	Out 7
PIN 8	Out 8
PIN 9	Out 9
PIN 10	Out 10
PIN 11	Out 11
PIN 12	Out 12
PIN 13	Out 13
PIN 14	Out 14
PIN 15	Out 15
PIN 16	Out 16
PIN 17	n.c.
PIN 18	n.c.
PIN 19	n.c.
PIN 20	n.c.
PIN 21	n.c.
PIN 22	n.c.
PIN 23	0 V
PIN 24	Sens
PIN 25	n.c.
PIN 26	n.c.
Family construction form	D-Sub
No. of poles	26
Coding	A
Gender	female
Color contact carrier	black
PIN 1	Out 1
PIN 2	Out 2
PIN 3	Out 3

PIN 4	Out 4
PIN 5	Out 5
PIN 6	Out 6
PIN 7	Out 7
PIN 8	Out 8
PIN 9	Out 9
PIN 10	Out 10
PIN 11	Out 11
PIN 12	Out 12
PIN 13	Out 13
PIN 14	Out 14
PIN 15	Out 15
PIN 16	Out 16
PIN 17	n.c.
PIN 18	n.c.
PIN 19	n.c.
PIN 20	n.c.
PIN 21	n.c.
PIN 22	n.c.
PIN 23	0 V
PIN 24	Sens
PIN 25	n.c.
PIN 26	n.c.