

Cube67 Valve-Interface, I/O Compact Module

DO16, SMC/VTUG, 4xUa, Sub-D 25 pol., 0,5m

Art.No.: 5665000

Weight: 0.288 kg

Country of origin: CZ

Model designation: Cube67 DO16 C Valve SMC/VTUG 4xUa

Compact module

DO16 Valve (C) - 4x U-Actuator 0.5 m

Multipole plug (0.5 A)

SMC - SUB-D25

Connection cables are in the online shop under "Connection Technology".

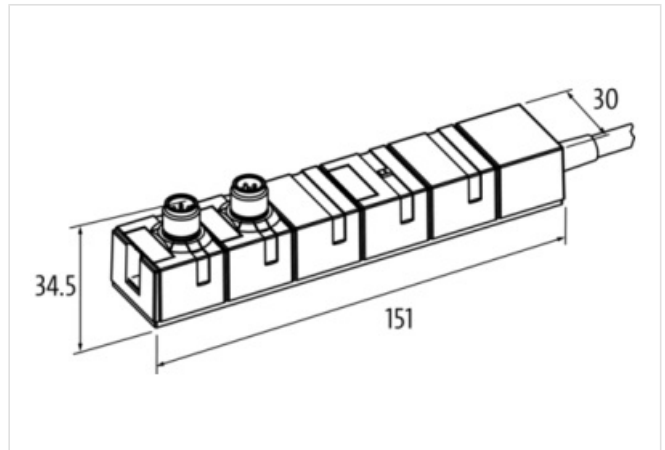
Housing fully potted.

Link to Product

Illustration



Product may differ from Image



Commercial data

| | |
|-----------------------|---|
| URL Webshop | https://shop.murrelektronik.com/5665000 |
| GTIN | 4048879045292 |
| Customs tariff number | 85389099 |
| ECLASS-6.0 | 27242604 |
| ECLASS-6.1 | 27242604 |
| ECLASS-7.0 | 27242604 |
| ECLASS-7.1 | 27242604 |
| ECLASS-8.0 | 27242604 |
| ECLASS-8.1 | 27242604 |
| ECLASS-9.0 | 27242604 |
| ECLASS-9.1 | 27242604 |
| ECLASS-10.0.1 | 27242604 |
| ECLASS-10.1 | 27242604 |
| ECLASS-11.0 | 27242604 |
| ECLASS-11.1 | 27242604 |
| ECLASS-12.0 | 27242604 |

| | |
|-----------------------|---------------|
| ECLASS-13.0 | 27242604 |
| ECLASS-14.0 | 27242604 |
| ETIM-5.0 | EC001599 |
| ETIM-6.0 | EC001599 |
| ETIM-7.0 | EC001599 |
| ETIM-8.0 | EC001599 |
| customs tariff number | 85389099 |
| EAN | 4048879045292 |
| Packaging unit | 1 |

Electrical data | Supply

| | |
|--------------------------|----------------|
| Norm operating voltage | IEC/EN 61131-2 |
| Total current US max. | 4 A |
| Operating voltage UA DC | 24 V |
| Total current UA max. | 4 A |
| Current consumption max. | 50 mA |

Electrical data | Output

| | |
|-----------------------------|-------|
| Output current per pin max. | 0,5 A |
| Overload resistant | Yes |
| Short-circuit protected | Yes |

Diagnostics

| | |
|-------------------------|----------------------------------|
| Actuator warning | per channel via BUS |
| Short circuit diagnosis | Yes |
| Overload diagnosis | Yes |
| Diagnostic | No voltage, Under voltage |
| Diagnostic via BUS | per module and channel |
| Diagnostic via LED | per module |
| LED display | Ethernet connection/data traffic |

Device protection | Electrical

| | |
|-------------------------------------|------|
| Degree of protection (EN IEC 60529) | IP67 |
|-------------------------------------|------|

Mechanical data | Mounting data

| | |
|----------------------------|-----------------------|
| Height | 150 mm |
| Width | 30 mm |
| Depth | 34,5 mm |
| Suitable for mounting type | 2-hole screw mounting |
| Cable length | 0,5 m |

Environmental characteristics | Climatic

| | |
|--|------------------|
| Operating temperature min. | 0 °C |
| Operating temperature max. | 55 °C |
| Ambient temperature (storage, transport) | -20 °C ... 70 °C |

Connection type 3

| | |
|--------------------------|--------------|
| Connection type 1 | Bus In |
| Connection type 2 | Data |
| Connection type 3 | Power In |
| Family construction form | M12 |
| No. of poles | 6 |
| Coding | A |
| Gender | male |
| Color contact carrier | black |
| PIN 1 | 24 V DC (UA) |
| PIN 2 | 24 V DC (US) |
| PIN 3 | 0 V |

| | |
|--------------------------|----------------|
| PIN 4 | Bus internal |
| PIN 5 | Bus internal |
| PIN 6 | 0 V |
| Family construction form | D-Sub |
| No. of poles | 25 |
| Gender | male |
| PIN 1 | Out 1 |
| PIN 2 | Out 2 |
| PIN 3 | Out 3 |
| PIN 4 | Out 4 |
| PIN 5 | Out 5 |
| PIN 6 | Out 6 |
| PIN 7 | Out 7 |
| PIN 8 | Out 8 |
| PIN 9 | Out 9 |
| PIN 10 | Out 10 |
| PIN 11 | Out 11 |
| PIN 12 | Out 12 |
| PIN 13 | Out 13 |
| PIN 14 | Out 14 |
| PIN 15 | Out 15 |
| PIN 16 | Out 16 |
| PIN 24 | 0 V |
| PIN 25 | 0 V |
| Family construction form | M12 |
| No. of poles | 6 |
| Coding | A |
| Gender | male |
| Color contact carrier | black |
| PIN 1 | 24 V DC (UA 1) |
| PIN 2 | 24 V DC (UA 2) |
| PIN 3 | 0 V |
| PIN 4 | 24 V DC (UA 3) |
| PIN 5 | 24 V DC (UA 4) |
| PIN 6 | 0 V |