

## CUBE67 I/O COMPACT MODULE

16 multifunction channels

Art.No.: 56640

Weight: 0.210 kg

Country of origin: CZ

Model designation: Cube67 DIO16 C 8xM12 1,6A

Compact module

DIO16 - 1.6 A (C) - 8x M12

short-circuit and overload protected

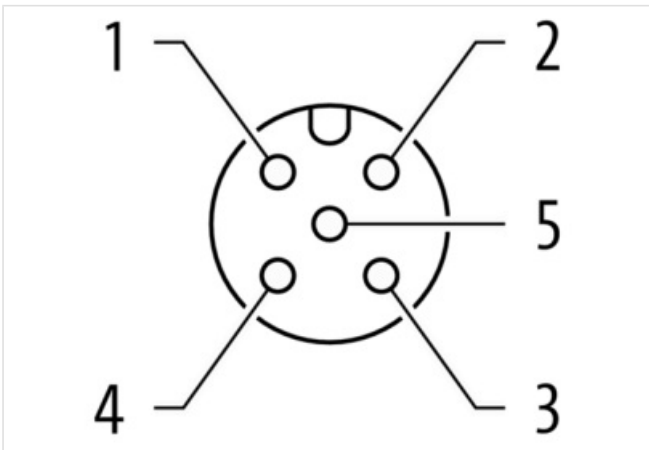
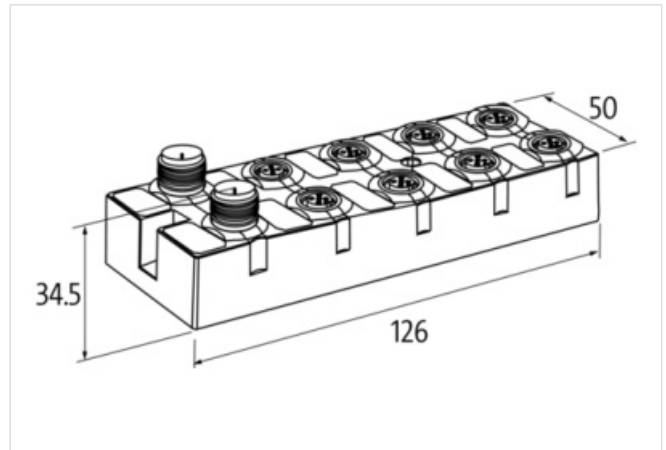
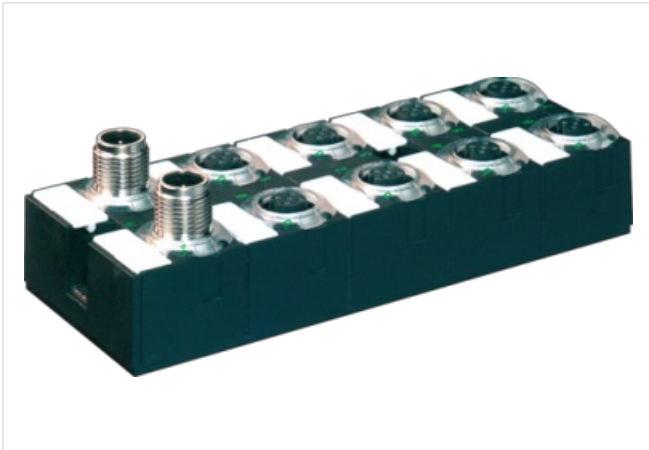
Digital inputs/outputs (multifunctional)

Connection cables are in the online shop under "Connection Technology".

Housing fully potted.

### [Link to Product](#)

#### Illustration



Product may differ from Image



#### Commercial data

URL Webshop

<https://shop.murrelektronik.com/56640>

GTIN	4048879048439
Customs tariff number	85389099
ECLASS-6.0	27242604
ECLASS-6.1	27242604
ECLASS-7.0	27242604
ECLASS-7.1	27242604
ECLASS-8.0	27242604
ECLASS-8.1	27242604
ECLASS-9.0	27242604
ECLASS-9.1	27242604
ECLASS-10.0.1	27242604
ECLASS-10.1	27242604
ECLASS-11.0	27242604
ECLASS-11.1	27242604
ECLASS-12.0	27242604
ECLASS-13.0	27242604
ECLASS-14.0	27242604
ETIM-5.0	EC001599
ETIM-6.0	EC001599
ETIM-7.0	EC001599
ETIM-8.0	EC001599
customs tariff number	85389099
EAN	4048879048439
Packaging unit	1

#### Electrical data

Terminating resistor	integrated
----------------------	------------

#### Electrical data | Supply

Norm operating voltage	IEC/EN 61131-2
Operating voltage US DC	24 V
Total current US max.	4 A
Operating voltage UA DC	24 V
Total current UA max.	4 A
Total current UA PowerIN max.	4 A
Current consumption max.	50 mA

#### Electrical data | Input

Sensor current US per input max.	0,2 A
Short-circuit protected	Yes
Overload resistant	Yes
filter time	1 ms
Type input	for 3-wire sensors or mechanical switches, PNP

#### Electrical data | Output

Output current per pin max.	1,6 A
Overload resistant	Yes
Short-circuit protected	Yes
Lamp load	30 W

#### Diagnostics

Actuator warning	per channel via LED and BUS
Short circuit diagnosis	Yes
Overload diagnosis	Yes
Diagnostic	No voltage, Under voltage
Diagnostic via BUS	per module and channel
Diagnostic via LED	per module and channel

LED display Ethernet connection/data traffic

**Device protection | Electrical**

Degree of protection (EN IEC 60529) IP67

**Mechanical data | Mounting data**

Height 126 mm

Width 50 mm

Depth 34,5 mm

Suitable for mounting type 2-hole screw mounting

**Environmental characteristics | Climatic**

Operating temperature min. 0 °C

Operating temperature max. 55 °C

Ambient temperature (storage, transport) -20 °C ... 75 °C

**Connection types**

Connection type 1 0-7

Connection type 2 Bus In

Connection type 3 Power In