

## CUBE67 I/O COMPACT MODULE

8 digital inputs

Art.No.: 56622

Weight: 0.155 kg

Country of origin: CZ

Model designation: Cube67 DI8 C 8xM8

Compact module

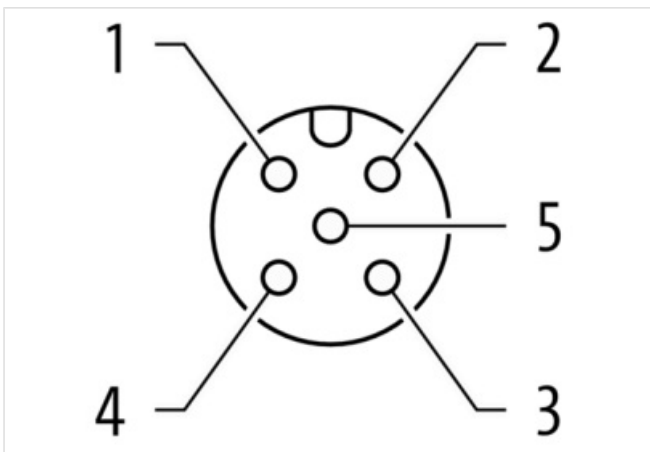
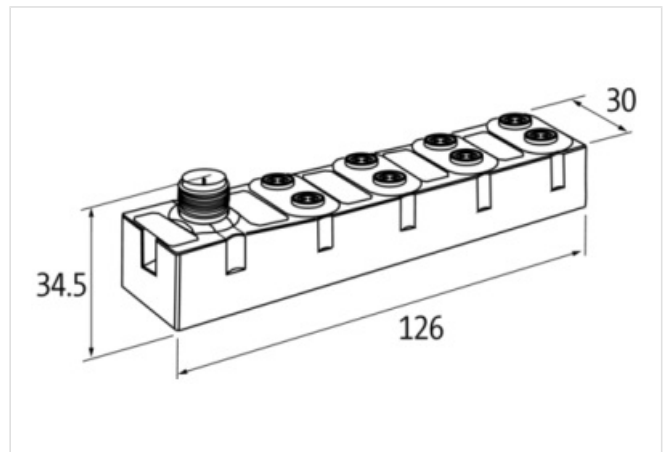
DI8 (C) - 8x M8

Connection cables are in the online shop under "Connection Technology".

Housing fully potted.

### [Link to Product](#)

#### Illustration



Product may differ from Image



#### Commercial data

URL Webshop	<a href="https://shop.murrelektronik.com/56622">https://shop.murrelektronik.com/56622</a>
GTIN	4048879048477
Customs tariff number	85389099

ECLASS-6.0	27242604
ECLASS-6.1	27242604
ECLASS-7.0	27242604
ECLASS-7.1	27242604
ECLASS-8.0	27242604
ECLASS-8.1	27242604
ECLASS-9.0	27242604
ECLASS-9.1	27242604
ECLASS-10.0.1	27242604
ECLASS-10.1	27242604
ECLASS-11.0	27242604
ECLASS-11.1	27242604
ECLASS-12.0	27242604
ECLASS-13.0	27242604
ECLASS-14.0	27242604
ETIM-5.0	EC001599
ETIM-6.0	EC001599
ETIM-7.0	EC001599
ETIM-8.0	EC001599
customs tariff number	85389099
EAN	4048879048477
Packaging unit	1

**Electrical data**

Terminating resistor	integrated
----------------------	------------

**Electrical data | Supply**

Norm operating voltage	IEC/EN 61131-2
Operating voltage US DC	24 V
Total current US max.	4 A
Total current UA max.	4 A
Current consumption max.	30 mA

**Electrical data | Input**

Sensor current US per input max.	0,2 A
Short-circuit protected	Yes
Overload resistant	Yes
filter time	1 ms
Type input	for 3-wire sensors or mechanical switches, PNP

**Diagnostics**

Short circuit diagnosis	Yes
Overload diagnosis	Yes
Diagnostic	No voltage, Under voltage
Diagnostic via BUS	per module and channel
Diagnostic via LED	per module and channel
LED display	Ethernet connection/data traffic

**Device protection | Electrical**

Degree of protection (EN IEC 60529)	IP67
-------------------------------------	------

**Mechanical data | Mounting data**

Height	126 mm
Width	30 mm
Depth	34,5 mm
Suitable for mounting type	2-hole screw mounting

**Environmental characteristics | Climatic**

Operating temperature min.	0 °C
Operating temperature max.	55 °C
Ambient temperature (storage, transport)	-20 °C ... 75 °C

**Connection type 2**

Connection type 1	0-7
Connection type 2	Bus In
Family construction form	M8
No. of poles	3
Coding	A
Gender	female
Color contact carrier	black
PIN 1	24 V DC (US)
PIN 3	0 V
PIN 4	DI
Family construction form	M12
No. of poles	6
Coding	A
Gender	male
Color contact carrier	black
PIN 1	24 V DC (UA)
PIN 2	24 V DC (US)
PIN 3	0 V
PIN 4	Bus internal
PIN 5	Bus internal
PIN 6	0 V