

CUBE67 I/O COMPACT MODULE

8 multifunction channels

Art.No.: 56620

Weight: 0.155 kg

Country of origin: CZ

Model designation: Cube67 DIO8 C 8xM8

Compact module

DIO8 - 0.5 A (C) - 8x M8

short-circuit and overload protected

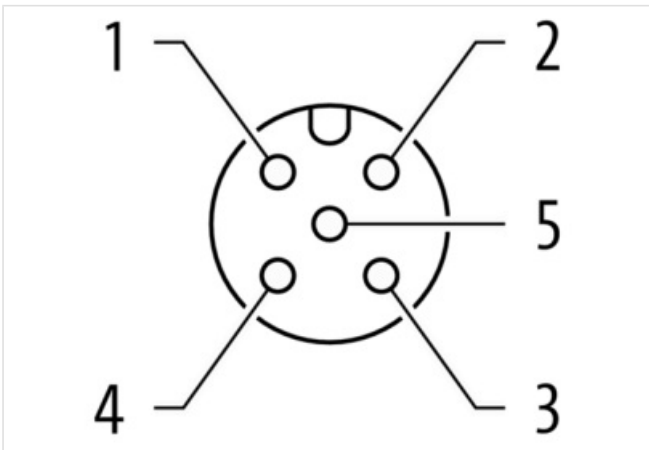
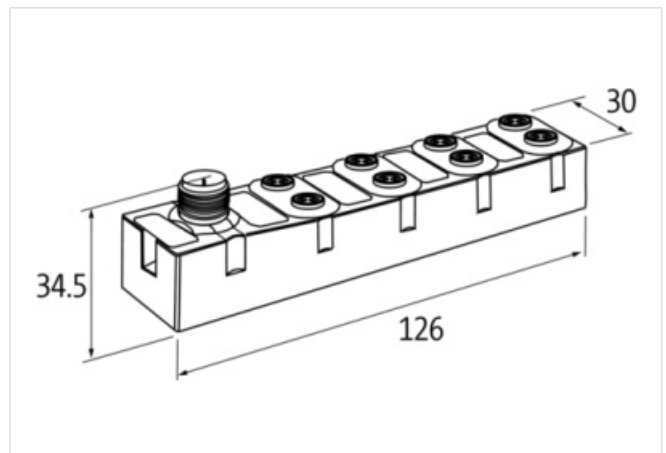
Digital inputs/outputs (multifunctional)

Connection cables are in the online shop under "Connection Technology".

Housing fully potted.

Link to Product

Illustration



Product may differ from Image



Commercial data

URL Webshop

<https://shop.murrelektronik.com/56620>

GTIN	4048879048491
Customs tariff number	85389099
ECLASS-6.0	27242604
ECLASS-6.1	27242604
ECLASS-7.0	27242604
ECLASS-7.1	27242604
ECLASS-8.0	27242604
ECLASS-8.1	27242604
ECLASS-9.0	27242604
ECLASS-9.1	27242604
ECLASS-10.0.1	27242604
ECLASS-10.1	27242604
ECLASS-11.0	27242604
ECLASS-11.1	27242604
ECLASS-12.0	27242604
ECLASS-13.0	27242604
ECLASS-14.0	27242604
ETIM-5.0	EC001599
ETIM-6.0	EC001599
ETIM-7.0	EC001599
ETIM-8.0	EC001599
customs tariff number	85389099
EAN	4048879048491
Packaging unit	1

Electrical data

Terminating resistor	integrated
----------------------	------------

Electrical data | Supply

Norm operating voltage	IEC/EN 61131-2
Operating voltage US DC	24 V
Total current US max.	4 A
Operating voltage UA DC	24 V
Total current UA max.	4 A
Current consumption max.	30 mA

Electrical data | Input

Sensor current US per input max.	0,2 A
Short-circuit protected	Yes
Overload resistant	Yes
filter time	1 ms
Type input	for 3-wire sensors or mechanical switches, PNP

Electrical data | Output

Output current per pin max.	0,5 A
Overload resistant	Yes
Short-circuit protected	Yes
Lamp load	10 W

Diagnostics

Actuator warning	per channel via LED and BUS
Short circuit diagnosis	Yes
Overload diagnosis	Yes
Diagnostic	No voltage, Under voltage
Diagnostic via BUS	per module and channel
Diagnostic via LED	per module and channel
LED display	Ethernet connection/data traffic

Device protection | Electrical

Degree of protection (EN IEC 60529) IP67

Mechanical data | Mounting data

Height 126 mm

Width 30 mm

Depth 34,5 mm

Suitable for mounting type 2-hole screw mounting

Environmental characteristics | Climatic

Operating temperature min. 0 °C

Operating temperature max. 55 °C

Ambient temperature (storage, transport) -20 °C ... 75 °C

Connection type 2

Connection type 1 0-7

Connection type 2 Bus In

Family construction form M8

No. of poles 3

Coding A

Gender female

Color contact carrier black

PIN 1 24 V DC (US)

PIN 3 0 V

PIN 4 DI / DO

Family construction form M12

No. of poles 6

Coding A

Gender male

Color contact carrier black

PIN 1 24 V DC (UA)

PIN 2 24 V DC (US)

PIN 3 0 V

PIN 4 Bus internal

PIN 5 Bus internal

PIN 6 0 V