

## CUBE67 I/O EXTENSION MODULE

8 digital NPN inputs

Art.No.: 56616

Weight: 0.150 kg

Country of origin: CZ

Model designation: CUBE67 DI8 E 4XM12 NPN

Expansion module

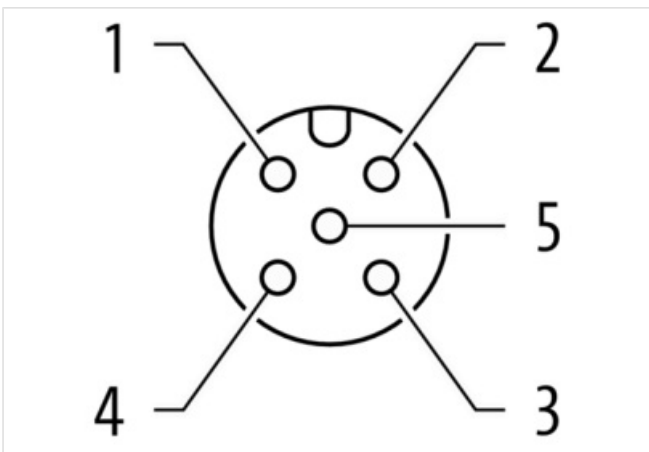
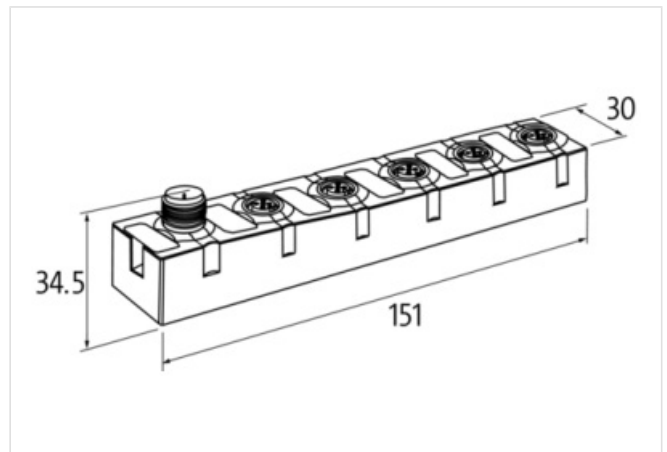
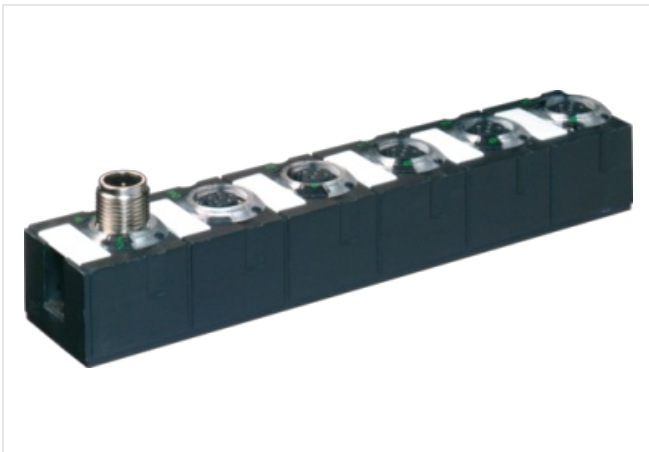
DI8 NPN (E) - 4x M12

Connection cables are in the online shop under "Connection Technology".

Housing fully potted.

### [Link to Product](#)

#### Illustration



Product may differ from Image



#### Commercial data

|                       |   |
|-----------------------|---|
| URL Webshop           | <a href="https://shop.murrelektronik.com/56616">https://shop.murrelektronik.com/56616</a> |
| GTIN                  | 4048879048507   |
| Customs tariff number | 85389099  |

|                       |               |
|-----------------------|---------------|
| ECLASS-6.0            | 27242604      |
| ECLASS-6.1            | 27242604      |
| ECLASS-7.0            | 27242604      |
| ECLASS-7.1            | 27242604      |
| ECLASS-8.0            | 27242604      |
| ECLASS-8.1            | 27242604      |
| ECLASS-9.0            | 27242604      |
| ECLASS-9.1            | 27242604      |
| ECLASS-10.0.1         | 27242604      |
| ECLASS-10.1           | 27242604      |
| ECLASS-11.0           | 27242604      |
| ECLASS-11.1           | 27242604      |
| ECLASS-12.0           | 27242604      |
| ECLASS-13.0           | 27242604      |
| ECLASS-14.0           | 27242604      |
| ETIM-5.0              | EC001599      |
| ETIM-6.0              | EC001599      |
| ETIM-7.0              | EC001599      |
| ETIM-8.0              | EC001599      |
| customs tariff number | 85389099      |
| EAN                   | 4048879048507 |
| Packaging unit        | 1             |

**Electrical data | Supply**

|                          |                |
|--------------------------|----------------|
| Norm operating voltage   | IEC/EN 61131-2 |
| Operating voltage US DC  | 24 V           |
| Total current US max.    | 4 A            |
| Total current UA max.    | 4 A            |
| Current consumption max. | 50 mA          |

**Electrical data | Input**

|                                  |  |
|----------------------------------|--|
| Sensor current US per input max. | 0,2 A  |
| Short-circuit protected          | Yes  |
| Overload resistant               | Yes  |
| filter time                      | 1 ms   |
| Type input                       | NPN, for 3-wire sensors or mechanical switches |

**Diagnostics**

|                         |                                  |
|-------------------------|----------------------------------|
| Short circuit diagnosis | Yes                              |
| Overload diagnosis      | Yes                              |
| Diagnostic              | No voltage, Under voltage        |
| Diagnostic via BUS      | per module and channel           |
| Diagnostic via LED      | per module and channel           |
| LED display             | Ethernet connection/data traffic |

**Device protection | Electrical**

|                                     |      |
|-------------------------------------|------|
| Degree of protection (EN IEC 60529) | IP67 |
|-------------------------------------|------|

**Mechanical data | Mounting data**

|                            |                       |
|----------------------------|-----------------------|
| Height                     | 151 mm                |
| Width                      | 30 mm                 |
| Depth                      | 34,5 mm               |
| Suitable for mounting type | 2-hole screw mounting |

**Environmental characteristics | Climatic**

|                            |       |
|----------------------------|-------|
| Operating temperature min. | 0 °C  |
| Operating temperature max. | 55 °C |

Ambient temperature (storage, transport) -20 °C ... 75 °C

| <b>Connection type 3</b> |              |
|--------------------------|--------------|
| Connection type 1        | 0-3          |
| Connection type 2        | Bus In       |
| Connection type 3        | Bus Out      |
| Family construction form | M12          |
| No. of poles             | 5            |
| Coding                   | A            |
| Gender                   | female       |
| Color contact carrier    | black        |
| PIN 1                    | 24 V DC (US) |
| PIN 2                    | DI / Diag    |
| PIN 3                    | 0 V          |
| PIN 4                    | DI           |
| PIN 5                    | PE           |
| Family construction form | M12          |
| No. of poles             | 6            |
| Coding                   | A            |
| Gender                   | male         |
| Color contact carrier    | black        |
| PIN 1                    | 24 V DC (UA) |
| PIN 2                    | 24 V DC (US) |
| PIN 3                    | 0 V          |
| PIN 4                    | Bus internal |
| PIN 5                    | Bus internal |
| PIN 6                    | 0 V          |
| Family construction form | M12          |
| No. of poles             | 6            |
| Coding                   | A            |
| Gender                   | female       |
| Color contact carrier    | black        |
| PIN 1                    | 24 V DC (UA) |
| PIN 2                    | 24 V DC (US) |
| PIN 3                    | 0 V          |
| PIN 4                    | Bus internal |
| PIN 5                    | Bus internal |
| PIN 6                    | 0 V          |