

CUBE67 I/O EXTENSION MODULE

8 digital inputs

Art.No.: 56613

Weight: 0.145 kg

Country of origin: CZ

Model designation: Cube67 DI8 E 4xM12

Expansion module

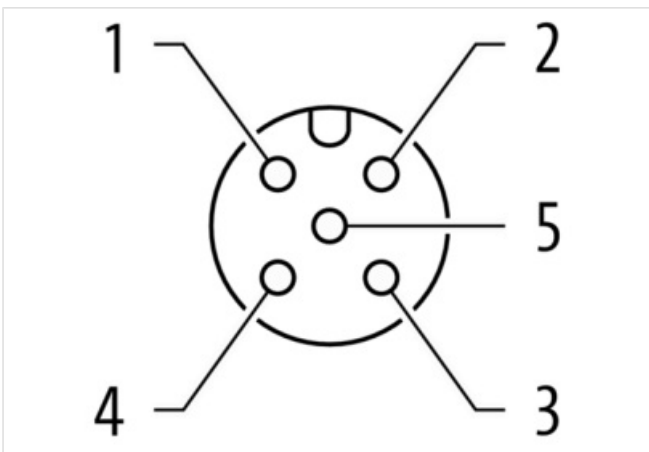
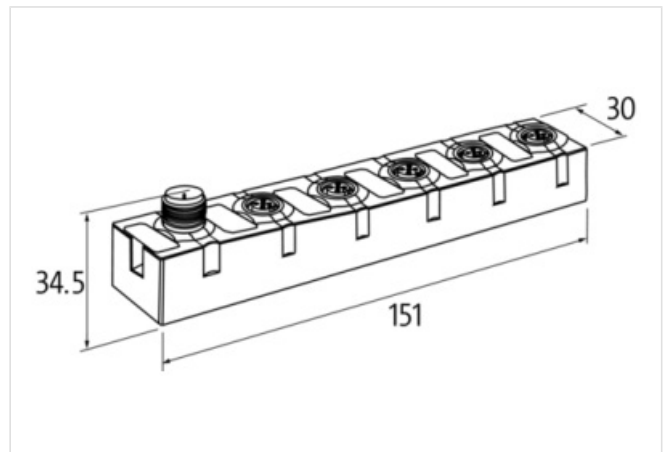
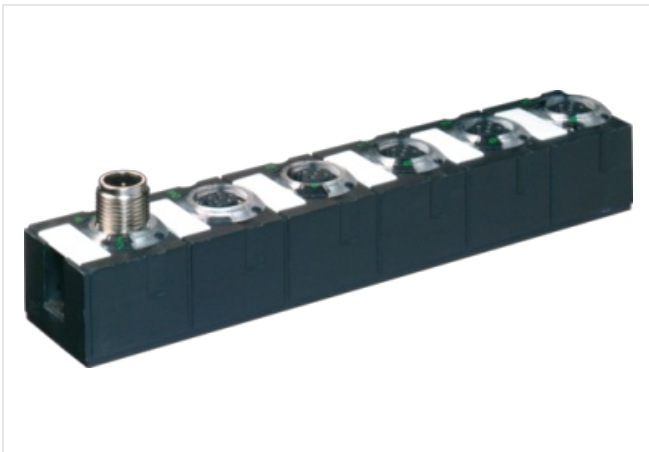
DI8 PNP (E) - 4x M12

Connection cables are in the online shop under "Connection Technology".

Housing fully potted.

[Link to Product](#)

Illustration



Product may differ from Image



Commercial data

URL Webshop	https://shop.murrelektronik.com/56613
GTIN	4048879048514
Customs tariff number	85389099

ECLASS-6.0	27242604
ECLASS-6.1	27242604
ECLASS-7.0	27242604
ECLASS-7.1	27242604
ECLASS-8.0	27242604
ECLASS-8.1	27242604
ECLASS-9.0	27242604
ECLASS-9.1	27242604
ECLASS-10.0.1	27242604
ECLASS-10.1	27242604
ECLASS-11.0	27242604
ECLASS-11.1	27242604
ECLASS-12.0	27242604
ECLASS-13.0	27242604
ECLASS-14.0	27242604
ETIM-5.0	EC001599
ETIM-6.0	EC001599
ETIM-7.0	EC001599
ETIM-8.0	EC001599
customs tariff number	85389099
EAN	4048879048514
Packaging unit	1

Electrical data | Supply

Norm operating voltage	IEC/EN 61131-2
Operating voltage US DC	24 V
Total current US max.	4 A
Total current UA max.	4 A
Current consumption max.	50 mA

Electrical data | Input

Sensor current US per input max.	0,2 A
Short-circuit protected	Yes
Overload resistant	Yes
filter time	1 ms
Type input	for 3-wire sensors or mechanical switches, PNP

Diagnostics

Short circuit diagnosis	Yes
Overload diagnosis	Yes
Diagnostic	No voltage, Under voltage
Diagnostic via BUS	per module and channel
Diagnostic via LED	per module and channel
LED display	Ethernet connection/data traffic

Device protection | Electrical

Degree of protection (EN IEC 60529)	IP67
-------------------------------------	------

Mechanical data | Mounting data

Height	151 mm
Width	30 mm
Depth	34,5 mm
Suitable for mounting type	2-hole screw mounting

Environmental characteristics | Climatic

Operating temperature min.	0 °C
Operating temperature max.	55 °C

Ambient temperature (storage, transport) -20 °C ... 75 °C

Connection type 3	
Connection type 1	0-3
Connection type 2	Bus In
Connection type 3	Bus Out
Family construction form	M12
No. of poles	5
Coding	A
Gender	female
Color contact carrier	black
PIN 1	24 V DC (US)
PIN 2	DI / Diag
PIN 3	0 V
PIN 4	DI
PIN 5	PE
Family construction form	M12
No. of poles	6
Coding	A
Gender	male
Color contact carrier	black
PIN 1	24 V DC (UA)
PIN 2	24 V DC (US)
PIN 3	0 V
PIN 4	Bus internal
PIN 5	Bus internal
PIN 6	0 V
Family construction form	M12
No. of poles	6
Coding	A
Gender	female
Color contact carrier	black
PIN 1	24 V DC (UA)
PIN 2	24 V DC (US)
PIN 3	0 V
PIN 4	Bus internal
PIN 5	Bus internal
PIN 6	0 V