

CUBE67 I/O COMPACT MODULE

8 digital inputs

Art.No.: 56612

Weight: 0.125 kg

Country of origin: CZ

Model designation: Cube67 DI8 C 4xM12

Compact module

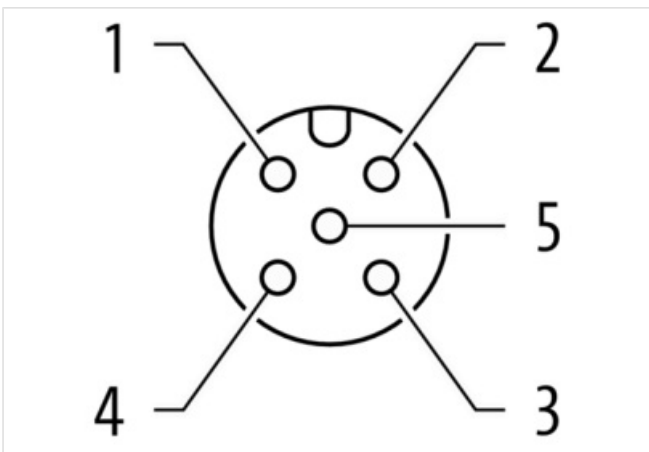
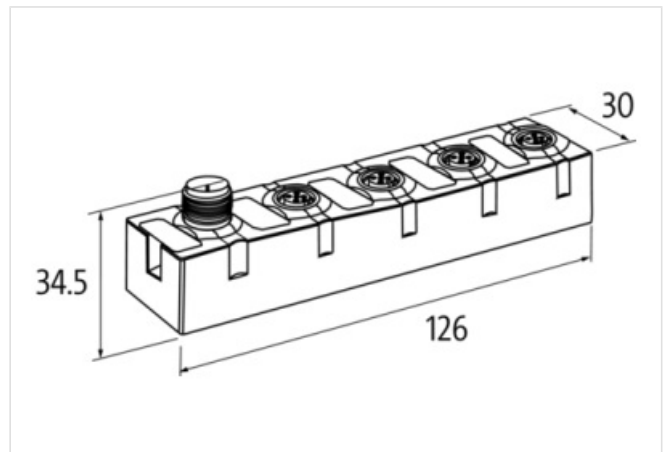
DI8 (C) - 4x M12

Connection cables are in the online shop under "Connection Technology".

Housing fully potted.

[Link to Product](#)

Illustration



Product may differ from Image



Commercial data

| | |
|-----------------------|---|
| URL Webshop | https://shop.murrelektronik.com/56612 |
| GTIN | 4048879048521 |
| Customs tariff number | 85389099 |

| | |
|-----------------------|---------------|
| ECLASS-6.0 | 27242604 |
| ECLASS-6.1 | 27242604 |
| ECLASS-7.0 | 27242604 |
| ECLASS-7.1 | 27242604 |
| ECLASS-8.0 | 27242604 |
| ECLASS-8.1 | 27242604 |
| ECLASS-9.0 | 27242604 |
| ECLASS-9.1 | 27242604 |
| ECLASS-10.0.1 | 27242604 |
| ECLASS-10.1 | 27242604 |
| ECLASS-11.0 | 27242604 |
| ECLASS-11.1 | 27242604 |
| ECLASS-12.0 | 27242604 |
| ECLASS-13.0 | 27242604 |
| ECLASS-14.0 | 27242604 |
| ETIM-5.0 | EC001599 |
| ETIM-6.0 | EC001599 |
| ETIM-7.0 | EC001599 |
| ETIM-8.0 | EC001599 |
| customs tariff number | 85389099 |
| EAN | 4048879048521 |
| Packaging unit | 1 |

Electrical data

| | |
|----------------------|------------|
| Terminating resistor | integrated |
|----------------------|------------|

Electrical data | Supply

| | |
|--------------------------|----------------|
| Norm operating voltage | IEC/EN 61131-2 |
| Operating voltage US DC | 24 V |
| Total current US max. | 4 A |
| Total current UA max. | 4 A |
| Current consumption max. | 50 mA |

Electrical data | Input

| | |
|----------------------------------|--|
| Sensor current US per input max. | 0,2 A |
| Short-circuit protected | Yes |
| Overload resistant | Yes |
| filter time | 1 ms |
| Type input | for 3-wire sensors or mechanical switches, PNP |

Diagnostics

| | |
|-------------------------|----------------------------------|
| Short circuit diagnosis | Yes |
| Overload diagnosis | Yes |
| Diagnostic | No voltage, Under voltage |
| Diagnostic via BUS | per module and channel |
| Diagnostic via LED | per module and channel |
| LED display | Ethernet connection/data traffic |

Device protection | Electrical

| | |
|-------------------------------------|------|
| Degree of protection (EN IEC 60529) | IP67 |
|-------------------------------------|------|

Mechanical data | Mounting data

| | |
|----------------------------|-----------------------|
| Height | 126 mm |
| Width | 30 mm |
| Depth | 34,5 mm |
| Suitable for mounting type | 2-hole screw mounting |

Environmental characteristics | Climatic

| | |
|--|------------------|
| Operating temperature min. | 0 °C |
| Operating temperature max. | 55 °C |
| Ambient temperature (storage, transport) | -20 °C ... 75 °C |

Connection types

| | |
|-------------------|--------|
| Connection type 1 | 0-3 |
| Connection type 2 | Bus In |