

CUBE67 I/O EXTENSION MODULE K3

12 digital, passive safety outputs

Art.No.: 56605

Weight: 0.240 kg

Country of origin: CZ

Model designation: Cube67 DO6 (DO6) E 6xM12 K3

Expansion module - Safety

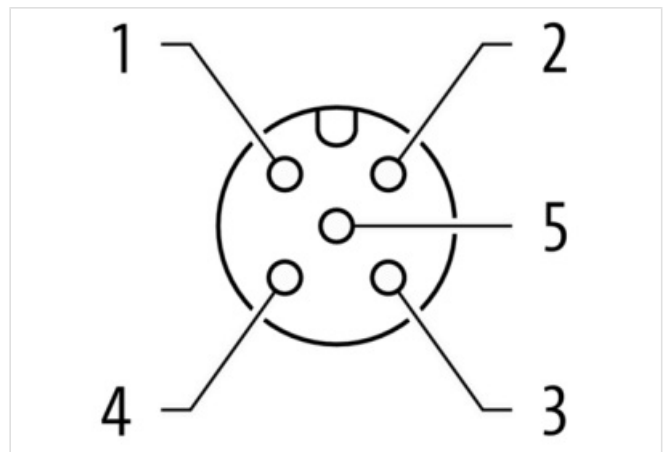
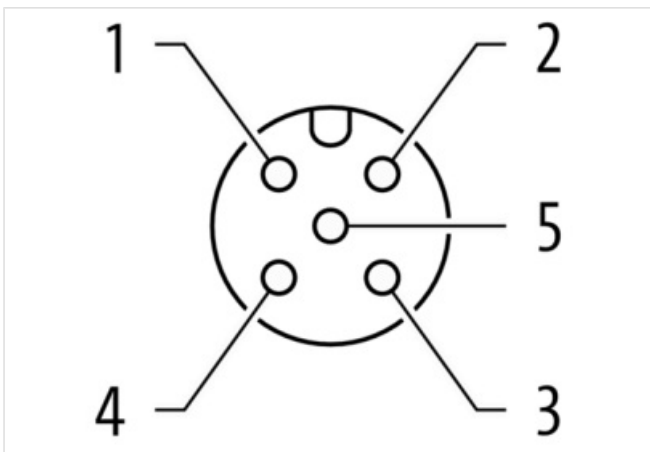
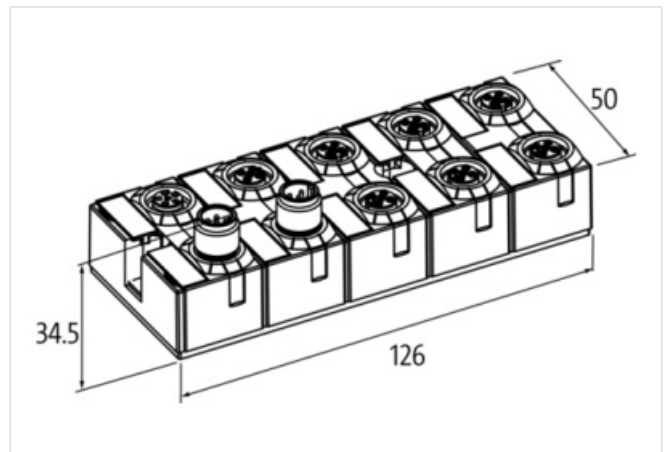
DO6 DO6 (E) - 6x M12 (K3)

Connection cables are in the online shop under "Connection Technology".

Housing fully potted.

[Link to Product](#)

Illustration



Product may differ from Image



Commercial data

URL Webshop	https://shop.murrelektronik.com/56605
GTIN	4048879048569
Customs tariff number	85389099

ECLASS-6.0	27242604
ECLASS-6.1	27242604
ECLASS-7.0	27242604
ECLASS-7.1	27242604
ECLASS-8.0	27242604
ECLASS-8.1	27242604
ECLASS-9.0	27242604
ECLASS-9.1	27242604
ECLASS-10.0.1	27242604
ECLASS-10.1	27242604
ECLASS-11.0	27242604
ECLASS-11.1	27242604
ECLASS-12.0	27242604
ECLASS-13.0	27242604
ECLASS-14.0	27242604
ETIM-5.0	EC001599
ETIM-6.0	EC001599
ETIM-7.0	EC001599
ETIM-8.0	EC001599
customs tariff number	85389099
EAN	4048879048569
Packaging unit	1

Electrical data | Supply

Norm operating voltage	IEC/EN 61131-2
Total current US max.	4 A
Operating voltage UA DC	24 V
Total current UA max.	4 A
Current consumption max.	50 mA

Electrical data | Output

Output current per pin max.	1,6 A
Overload resistant	Yes
Short-circuit protected	Yes

Diagnostics

Actuator warning	per channel via LED and BUS
Short circuit diagnosis	Yes
Overload diagnosis	Yes
Diagnostic	No voltage, Under voltage
Diagnostic via BUS	per module and channel
Diagnostic via LED	per module and channel
LED display	Ethernet connection/data traffic

Device protection | Electrical

Degree of protection (EN IEC 60529)	IP67
-------------------------------------	------

Mechanical data | Mounting data

Height	126 mm
Width	50 mm
Depth	34,5 mm
Suitable for mounting type	2-hole screw mounting

Environmental characteristics | Climatic

Operating temperature min.	0 °C
Operating temperature max.	55 °C
Ambient temperature (storage, transport)	-20 °C ... 70 °C

Connection types

The information in this Product-PDF has been compiled with the utmost care.

Liability for the correctness completeness and topicality of the information is restricted to gross negligence. Version: 2026-05-16

Murrelektronik GmbH | Grabenstraße 29 | 71570 Oppenweiler | Fon +49 (71 91) 47-0 | Fax +49 (71 91) 47-491000 | shop@murrelektronik.com | shop.murrelektronik.com

Connection type 1	0-5
Connection type 2	Bus In
Connection type 3	Bus Out
Connection type 4	Power In
Connection type 5	Power Out