

## CUBE67 BUS NODES

Profibus DP

Art.No.: 56501

Weight: 0.450 kg

Country of origin: CZ

Model designation: Cube67 BN-P Profibus

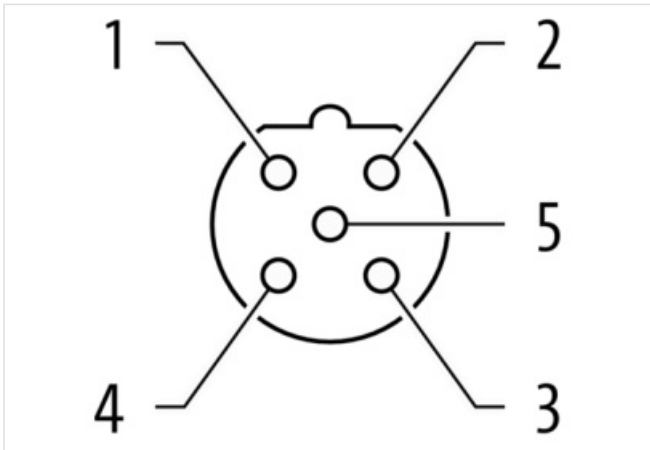
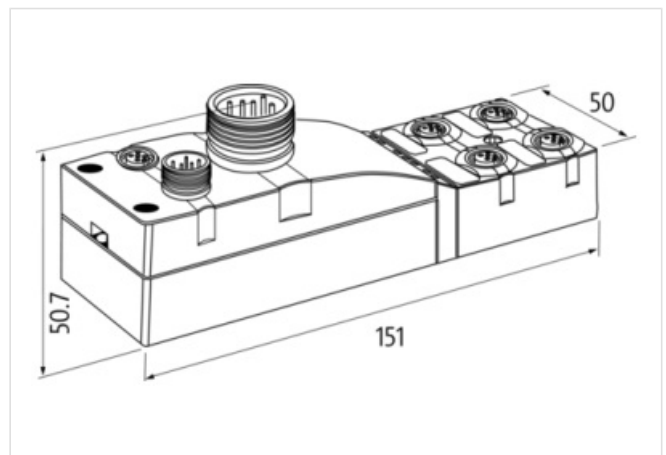
Profibus DP

Connection cables are in the online shop under "Connection Technology".

Housing fully potted.

### Link to Product

#### Illustration



Product may differ from Image



#### Commercial data

URL Webshop	<a href="https://shop.murrelektronik.com/56501">https://shop.murrelektronik.com/56501</a>
GTIN	4048879048736
Customs tariff number	85389099
ECLASS-6.0	27242608

The information in this Product-PDF has been compiled with the utmost care.

Liability for the correctness completeness and topicality of the information is restricted to gross negligence. Version: 2026-06-10

Murrelektronik Inc. | 1327 Northbrook Parkway, Suite 460 | Suwanee, GA 30024 | Fon +1 770 497-9292 | Fax +1 770 497-9391 | [shop@murrinc.com](mailto:shop@murrinc.com) | [shop.murrinc.com](http://shop.murrinc.com)

ECLASS-6.1	27242608
ECLASS-7.0	27242608
ECLASS-7.1	27242608
ECLASS-8.0	27242608
ECLASS-8.1	27242608
ECLASS-9.0	27242608
ECLASS-9.1	27242608
ECLASS-10.0.1	27242608
ECLASS-10.1	27242608
ECLASS-11.0	27242608
ECLASS-11.1	27242608
ECLASS-12.0	27242608
ECLASS-13.0	27242608
ECLASS-14.0	27242608
ETIM-5.0	EC001604
ETIM-6.0	EC001604
ETIM-7.0	EC001604
ETIM-8.0	EC001604
customs tariff number	85389099
EAN	4048879048736
Packaging unit	1

**Electrical data | Supply**

Operating voltage DC	24 V
Total current US max.	8 A
Total current UA max.	8 A
Current consumption max.	120 mA

**Industrial communication | Bus data**

Address setting type	Rotary switch
Address range min.	0
Address range max.	99

**Diagnostics**

Short circuit diagnosis	Yes
Overload diagnosis	Yes
Diagnostic	No voltage, Under voltage
Diagnostic via BUS	per module and channel
Diagnostic via LED	per module and channel
LED display	Ethernet connection/data traffic

**Device protection | Electrical**

Degree of protection (EN IEC 60529)	IP67
-------------------------------------	------

**Mechanical data**

Number extension modules max.	16
-------------------------------	----

**Mechanical data | Mounting data**

Height	151 mm
Width	50 mm
Depth	50,3 mm
Suitable for mounting type	2-hole screw mounting

**Environmental characteristics | Climatic**

Operating temperature min.	0 °C
Operating temperature max.	55 °C
Ambient temperature (storage, transport)	-20 °C ... 75 °C

**Conformity**

Product standard IEC/EN 61131-2

<b>Connection type 8</b>	
Connection type 1	Bus In
Connection type 2	Bus Out
Connection type 3	Internal system connection
Connection type 4	Power
Family construction form	7/8"
No. of poles	6
Coding	A
Gender	female
Color contact carrier	black
PIN 1	0 V
PIN 2	0 V
PIN 3	PE
PIN 4	24 V DC (US)
PIN 5	24 V DC (UA)
PIN 6	0 V
Family construction form	7/8"
No. of poles	6
Coding	A
Gender	female
Color contact carrier	black
PIN 1	0 V
PIN 2	0 V
PIN 3	PE
PIN 4	24 V DC (US)
PIN 5	24 V DC (UA)
PIN 6	0 V
Family construction form	7/8"
No. of poles	6
Coding	A
Gender	female
Color contact carrier	black
PIN 1	0 V
PIN 2	0 V
PIN 3	PE
PIN 4	24 V DC (US)
PIN 5	24 V DC (UA)
PIN 6	0 V
Family construction form	7/8"
No. of poles	6
Coding	A
Gender	female
Color contact carrier	black
PIN 1	0 V
PIN 2	0 V
PIN 3	PE
PIN 4	24 V DC (US)
PIN 5	24 V DC (UA)
PIN 6	0 V
Family construction form	7/8"
No. of poles	6
Coding	A

The information in this Product-PDF has been compiled with the utmost care.

Liability for the correctness completeness and topicality of the information is restricted to gross negligence. Version: 2026-06-10

Murrelektronik Inc. | 1327 Northbrook Parkway, Suite 460 | Suwanee, GA 30024 | Fon +1 770 497-9292 | Fax +1 770 497-9391 | shop@murrinc.com | shop.murrinc.com

Gender	female
Color contact carrier	black
PIN 1	0 V
PIN 2	0 V
PIN 3	PE
PIN 4	24 V DC (US)
PIN 5	24 V DC (UA)
PIN 6	0 V
Family construction form	7/8"
No. of poles	6
Coding	A
Gender	female
Color contact carrier	black
PIN 1	0 V
PIN 2	0 V
PIN 3	PE
PIN 4	24 V DC (US)
PIN 5	24 V DC (UA)
PIN 6	0 V
Family construction form	7/8"
No. of poles	6
Coding	A
Gender	female
Color contact carrier	black
PIN 1	0 V
PIN 2	0 V
PIN 3	PE
PIN 4	24 V DC (US)
PIN 5	24 V DC (UA)
PIN 6	0 V
Family construction form	7/8"
No. of poles	6
Coding	A
Gender	female
Color contact carrier	black
PIN 1	0 V
PIN 2	0 V
PIN 3	PE
PIN 4	24 V DC (US)
PIN 5	24 V DC (UA)
PIN 6	0 V