

## MASI68 I/O EXTENSION MODULE

4 analog Inputs U/I configurable

Art.No.: 56448

Weight: 0.181 kg

Country of origin: CZ

Model designation: MASI68 AI4 U/I E 4xM12

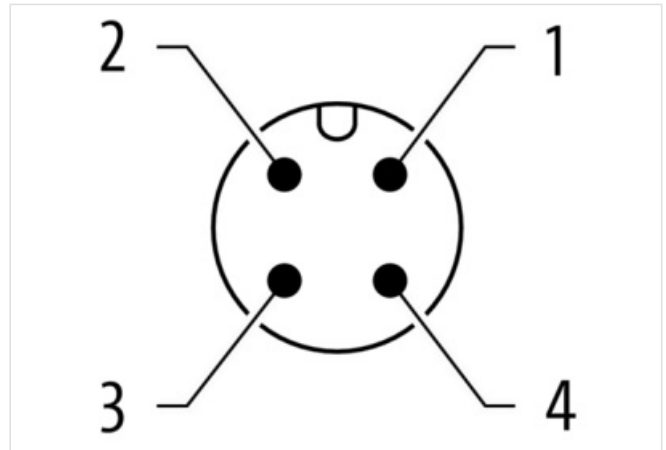
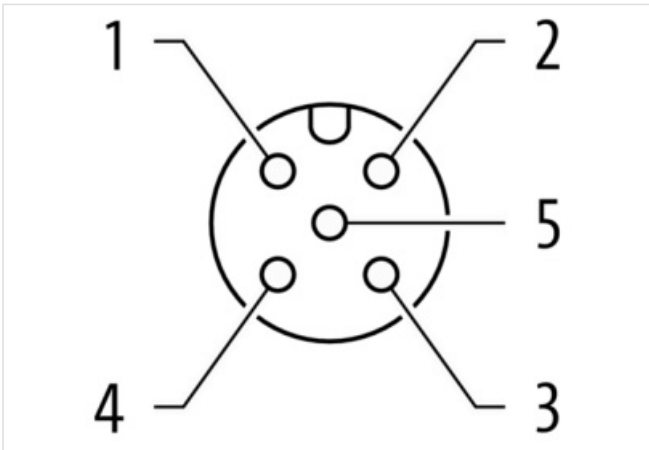
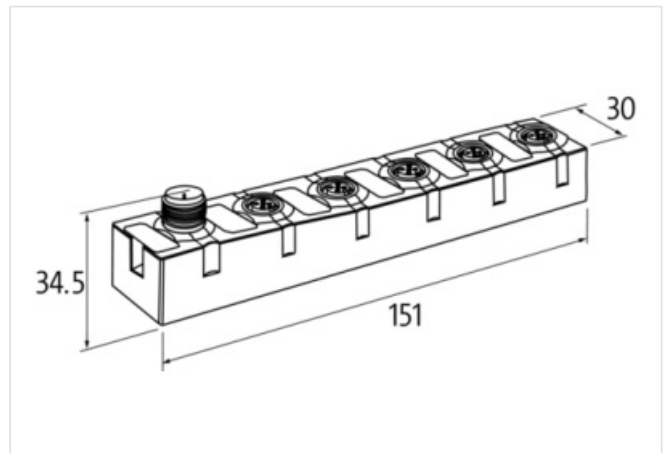
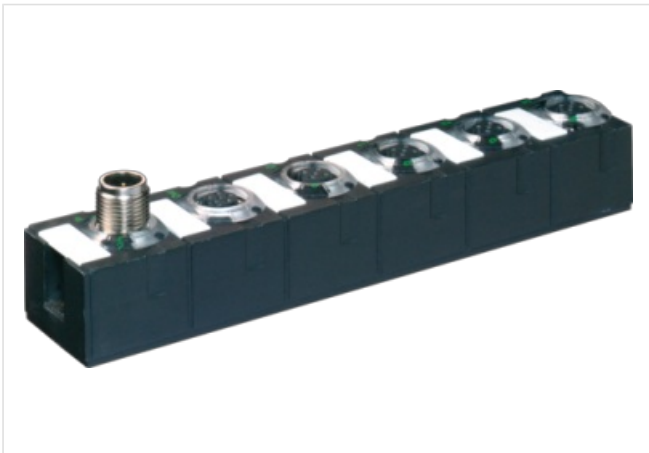
AI4 - (E) 4x M12 (UI)

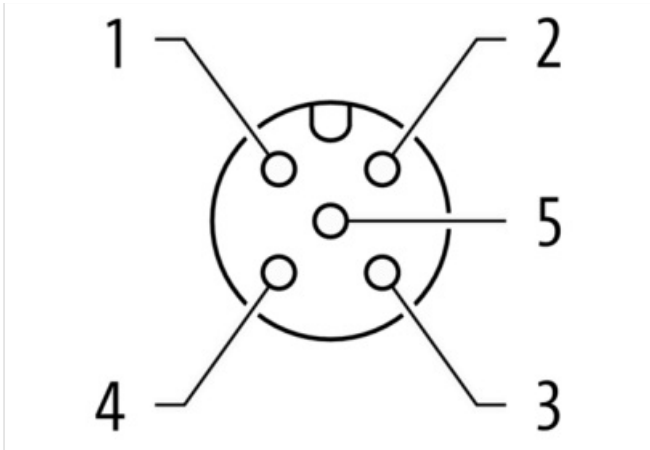
Connection cables are in the online shop under "Connection Technology".

Housing fully potted.

### [Link to Product](#)

#### Illustration





Product may differ from Image

**Commercial data**

URL Webshop	<a href="https://shop.murrelektronik.com/56448">https://shop.murrelektronik.com/56448</a>
GTIN	4048879496681
Customs tariff number	85176200
ECLASS-6.0	27242601
ECLASS-6.1	27242601
ECLASS-7.0	27242601
ECLASS-7.1	27242601
ECLASS-8.0	27242601
ECLASS-8.1	27242601
ECLASS-9.0	27242601
ECLASS-9.1	27242601
ECLASS-10.0.1	27242601
ECLASS-10.1	27242601
ECLASS-11.0	27242601
ECLASS-11.1	27242601
ECLASS-12.0	27242601
ECLASS-13.0	27242601
ECLASS-14.0	27242601
ETIM-5.0	EC001596
ETIM-6.0	EC001596
ETIM-7.0	EC001596
ETIM-8.0	EC001596
customs tariff number	85176200
EAN	4048879496681
Packaging unit	1

**Electrical data | Supply**

Norm operating voltage	IEC/EN 61131-2
Operating voltage US DC	24 V
Bus voltage AS-Interface DC min.	26,5 V
Bus voltage AS-Interface DC max.	31,6 V
Current consumption AS-i port max.	100 mA

**Electrical data | Input**

The information in this Product-PDF has been compiled with the utmost care.

Liability for the correctness completeness and topicality of the information is restricted to gross negligence. Version: 2026-07-02

Murrelektronik Inc. | 1327 Northbrook Parkway, Suite 460 | Suwanee, GA 30024 | Fon +1 770 497-9292 | Fax +1 770 497-9391 | [shop@murrinc.com](mailto:shop@murrinc.com) | [shop.murrinc.com](http://shop.murrinc.com)

Sensor current US per input max.	0,1 A
Short-circuit protected	Yes
Overload resistant	Yes
<b>Industrial communication   Bus data</b>	
Address setting type	M12 connection and programming device, Master
Slave address range	1 ... 31
<b>Industrial communication   AS-Interface</b>	
Profile (IO.ID.ID2)	S-7.3.E
<b>Diagnostics</b>	
Diagnostic	No voltage
Diagnostic via LED	per module
LED display	Ethernet connection/data traffic
<b>Device protection   Electrical</b>	
Degree of protection (EN IEC 60529)	IP68
<b>Mechanical data   Mounting data</b>	
Height	151 mm
Width	30 mm
Depth	34,5 mm
Mounting method	screwed
<b>Environmental characteristics   Climatic</b>	
Operating temperature min.	-20 °C
Operating temperature max.	70 °C
Ambient temperature (storage, transport)	-40 °C ... 85 °C
<b>Connection type 3</b>	
Connection type 1	0-3
Connection type 2	Bus In
Connection type 3	Bus Out
Family construction form	M12
No. of poles	5
Coding	A
Gender	female
Color contact carrier	black
PIN 1	24 V DC
PIN 2	In +
PIN 3	0 V
PIN 4	In -
PIN 5	n.c.
Family construction form	M12
No. of poles	4
Coding	A
Gender	male
Color contact carrier	black
PIN 1	AS-i +
PIN 2	0 V
PIN 3	AS-i -
PIN 4	24 V DC
Family construction form	M12
No. of poles	5
Coding	A
Gender	female
Color contact carrier	black

PIN 1	AS-i +
PIN 2	0 V
PIN 3	AS-i -
PIN 4	24 V DC
PIN 5	n.c.