

**MASI68 AI4 RTD E 4XM12**

Art.No.: 56442

Weight: 0.176 kg

Country of origin: CZ

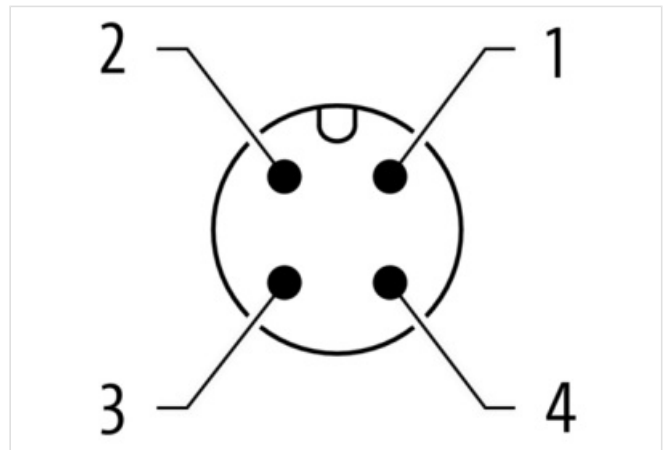
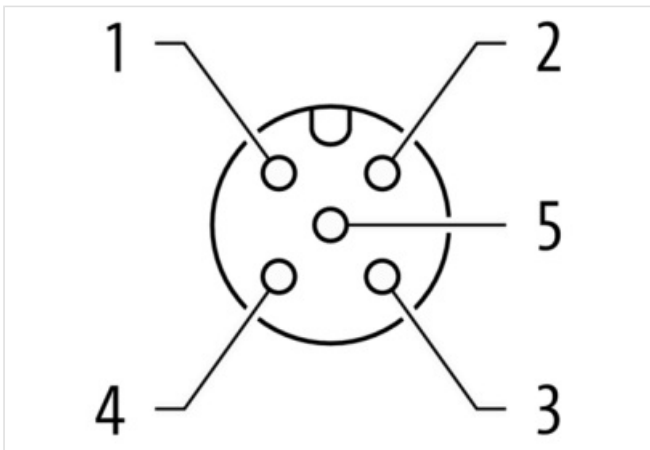
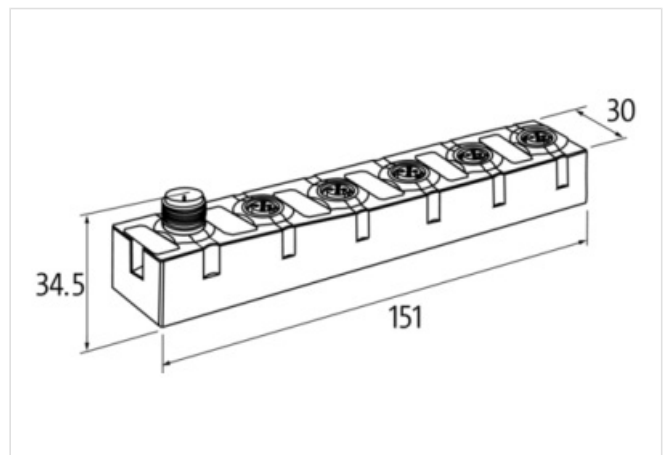
Model designation: MASI68 AI4 RTD E 4xM12

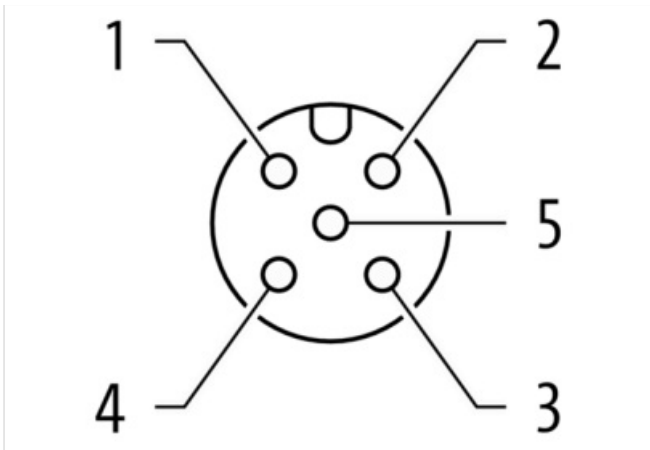
AI4 - (E) RTD

4x M12

Connection cables are in the online shop under "Connection Technology".

Housing fully potted.

**[Link to Product](#)****Illustration**



Product may differ from Image

**Commercial data**

URL Webshop	<a href="https://shop.murrelektronik.com/56442">https://shop.murrelektronik.com/56442</a>
GTIN	4048879321280
Customs tariff number	85176200
ECLASS-6.0	27242601
ECLASS-6.1	27242601
ECLASS-7.0	27242601
ECLASS-7.1	27242601
ECLASS-8.0	27242601
ECLASS-8.1	27242601
ECLASS-9.0	27242601
ECLASS-9.1	27242601
ECLASS-10.0.1	27242601
ECLASS-10.1	27242601
ECLASS-11.0	27242601
ECLASS-11.1	27242601
ECLASS-12.0	27242601
ECLASS-13.0	27242601
ECLASS-14.0	27242601
ETIM-5.0	EC001596
ETIM-6.0	EC001596
ETIM-7.0	EC001596
ETIM-8.0	EC001596
customs tariff number	85176200
EAN	4048879321280
Packaging unit	1

**Electrical data | Supply**

Bus voltage AS-Interface DC min.	26,5 V
Bus voltage AS-Interface DC max.	31,6 V
Current consumption AS-i port max.	100 mA

**Electrical data | Input**

Input current	1,25 mA
Sensor type	Pt100

Industrial communication   Bus data	
Address setting type	M12 connection and programming device, Master
Industrial communication   AS-Interface	
Profile (IO.ID.ID2)	S-7.3.E
Diagnostics	
Actuator warning	No
Diagnostic	No voltage
Diagnostic via LED	per module
LED display	Ethernet connection/data traffic
Device protection   Electrical	
Degree of protection (EN IEC 60529)	IP68
Mechanical data   Mounting data	
Height	151 mm
Width	30 mm
Depth	34,5 mm
Mounting method	screwed
Environmental characteristics   Climatic	
Operating temperature min.	0 °C
Operating temperature max.	55 °C
Ambient temperature (storage, transport)	-40 °C ... 85 °C
Connection type 3	
Connection type 1	0-3
Connection type 2	Bus In
Connection type 3	Bus Out
Family construction form	M12
No. of poles	5
Coding	A
Gender	female
Color contact carrier	black
PIN 1	CH +
PIN 2	CH S +
PIN 3	CH -
PIN 4	CH S -
PIN 5	n.c.
Family construction form	M12
No. of poles	4
Coding	A
Gender	male
Color contact carrier	black
PIN 1	AS-i +
PIN 2	0 V
PIN 3	AS-i -
PIN 4	24 V DC
Family construction form	M12
No. of poles	5
Coding	A
Gender	female
Color contact carrier	black
PIN 1	AS-i +
PIN 2	0 V
PIN 3	AS-i -

---

PIN 4	24 V DC
PIN 5	n.c.