

MASI68 DI4/0,19A DO4/2A 8xM12

Art.No.: 56438

Weight: 0.220 kg

Country of origin: CZ

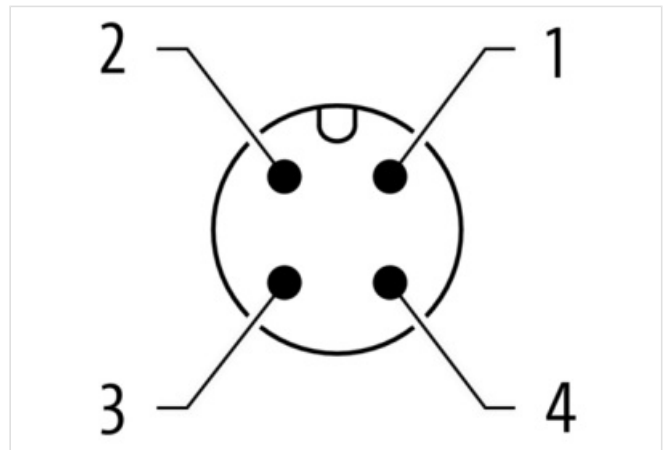
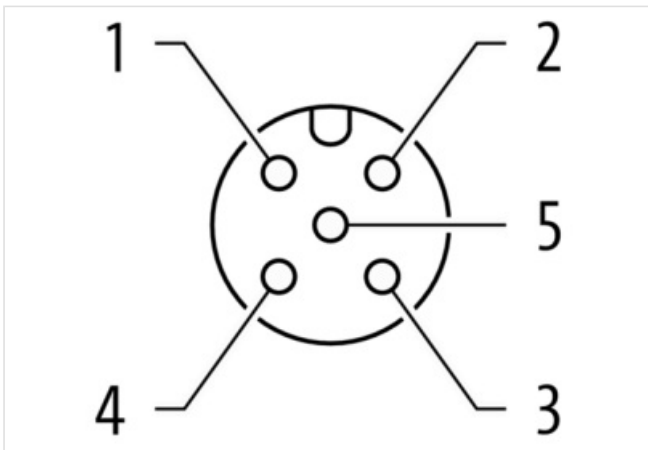
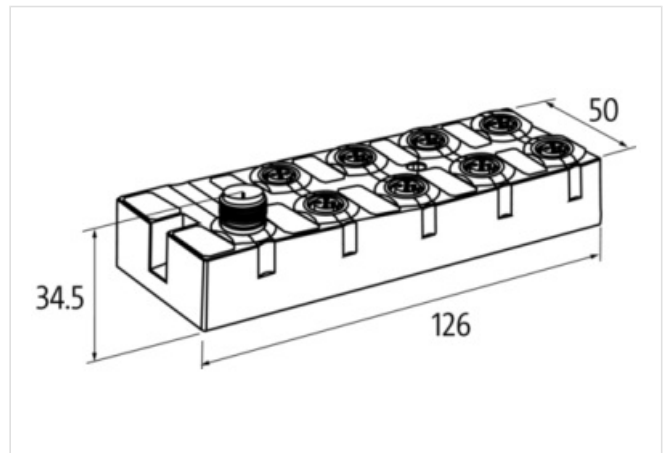
Model designation: MASI68 DI4/0,2A DO4/2A 8xM12

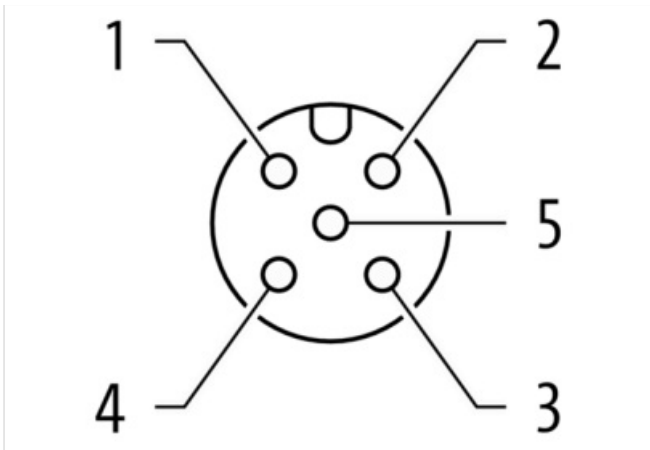
Compact module

DI4 - 0.2 A DO4 - 2 A (C) - 8x M12

Connection cables are in the online shop under "Connection Technology".

Housing fully potted.

[Link to Product](#)**Illustration**



Product may differ from Image



Commercial data

URL Webshop	https://shop.murrelektronik.com/56438
GTIN	4048879048798
Customs tariff number	85176200
ECLASS-6.0	27242604
ECLASS-6.1	27242604
ECLASS-7.0	27242604
ECLASS-7.1	27242604
ECLASS-8.0	27242604
ECLASS-8.1	27242604
ECLASS-9.0	27242604
ECLASS-9.1	27242604
ECLASS-10.0.1	27242604
ECLASS-10.1	27242604
ECLASS-11.0	27242604
ECLASS-11.1	27242604
ECLASS-12.0	27242604
ECLASS-13.0	27242604
ECLASS-14.0	27242604
ETIM-5.0	EC001599
ETIM-6.0	EC001599
ETIM-7.0	EC001599
ETIM-8.0	EC001599
customs tariff number	85176200
EAN	4048879048798
Packaging unit	1

Electrical data | Supply

Total current max.	4 A
Bus voltage AS-Interface DC min.	26,5 V
Bus voltage AS-Interface DC max.	31,6 V
Current consumption AS-i port max.	250 mA

Electrical data | Input

Current carrying capacity max.	0,2 A
--------------------------------	-------

Short-circuit protected	Yes
Overload resistant	Yes
Type input	for 3-wire sensors or mechanical switches, PNP
Electrical data Output	
Output current per pin max.	2 A
Overload resistant	Yes
Short-circuit protected	Yes
Industrial communication Bus data	
Address setting type	M12 connection and programming device, Master
Slave address range	(0), 1 ...
Industrial communication AS-Interface	
AS-i Power 24	Yes
Profile (IO.ID.ID2)	S-7.0.7
Diagnostics	
Diagnostic	No voltage
Diagnostic via LED	per module
LED display	Ethernet connection/data traffic
Device protection Electrical	
Degree of protection (EN IEC 60529)	IP68
Mechanical data Mounting data	
Height	126 mm
Width	50 mm
Depth	34,5 mm
Mounting method	screwed
Environmental characteristics Climatic	
Operating temperature min.	-20 °C
Operating temperature max.	60 °C
Ambient temperature (storage, transport)	-20 °C ... 70 °C
Connection type 3	
Connection type 1	B D
Connection type 2	AUX
Connection type 3	F H
Family construction form	M12
No. of poles	5
Coding	A
Gender	female
Color contact carrier	black
PIN 1	Usens +
PIN 2	DI
PIN 3	Usens -
PIN 4	DI
PIN 5	n.c.
Family construction form	M12
No. of poles	4
Coding	A
Gender	male
Color contact carrier	black
PIN 1	AS-i +
PIN 2	0 V AUX POWER
PIN 3	AS-i -
PIN 4	24 V DC AUX POWER

Family construction form	M12
No. of poles	5
Coding	A
Gender	female
Color contact carrier	black
PIN 1	n.c.
PIN 2	DO
PIN 3	0 V
PIN 4	DO
PIN 5	FE